



RBI GRADE B 2023

PHASE 1

MEMORY BASED PAPER

DETAILED EXPLANATIONS



EduTap Hall of Fame



NABARD Grade A 2022

70 Selections Out of 80



RBI Grade B 2022

174 Selections Out of 238



SEBI Grade A 2022

58 Selections Out of 80



Dear Students,

It is with great pleasure that we present to you this question paper document with detailed explanations for the RBI Grade B 2023 – Phase 1 . This document has been meticulously to serve as a valuable resource for candidates preparing for the RBI Grade B Officer Exam.

Aspiring candidates are often confused about the pattern, difficulty level and types of questions that may appear in their upcoming exam.

Each question has been carefully solved, and its underlying concepts and principles have been thoroughly explained. This will help you in not only to practice answering questions but also helps you understand the reasoning and logic behind each correct answer. Through explanations, you will be able to reinforce your understanding, clarify any doubts, and develop a deeper grasp of the subject matter.

We wish you all the best in your exam preparation journey and hope that this document proves to be a valuable asset in your pursuit of success.

Disclaimer: While every effort has been made to ensure the accuracy and relevance of the questions, there can be some variations in the question language and options. Therefore, we encourage you to use these questions as a reference point. This will help you acquire a comprehensive understanding of the syllabus and increase your chances of success in the upcoming RBI Grade B Officer Exam.

EduTap

RBI Grade B 2023 - Recollected Questions

Section – General Awareness

Q1. Recently a declaration has been adopted by that aims to boost industry ties on defense and renewable energy, in the face of growing competition from the other emerging countries, The above-mentioned Atlantic Declaration, was signed between which two countries?

- A. United States and United Kingdom
- B. Australia & United Kingdom
- C. France and United States
- D. Australia and United Kingdom
- E. Australia and France

Q2. United States will rejoin an organization in July, four years after it left it in 2019, alleging that it was biased against Israel. The move to rejoin will face a vote by organisation's member states and is expected to pass easily. Which of the following organisation US is about to re-join?

- A. UNICEF
- B. WHO
- C. UNESCO
- D. UNCTAD
- E. SCO

Q3. What is the objective of the "Antardrishti Dashboard" which was launched recently by RBI?

- A. It will provide the required insight to assess and monitor the progress of grievance redressal mechanism.
- B. It will provide the required insight to assess and monitor the progress of financial inclusion.
- C. It will provide the required insight to assess and monitor the progress of reducing NPAs.
- D. It will provide the required insight to assess and monitor the progress of strengthening financial system.
- E. It will provide the required insight to assess and monitor the progress of digital banking.

Q4. Recently, Indian-origin Climate Change researcher _____ has been picked for the Spinoza Prize 2023, which is the highest scientific honour in Netherlands and has a prize money of _____.

- A. Sheo Kumar, 1.5 million euros
- B. Rajkumar Upadhyay, 2.5 million euros
- C. Joyeeta Gupta, 1.5 million euros
- D. K Rajaraman, 3.5 million euros
- E. Navtej Bal, 1.5 million euros

Q5. Which country has achieved the gender parity according to the latest Global Gender Gap Index?

- A. Iceland
- B. Finland
- C. Denmark
- D. Sweden
- E. No one

Q6. Comptroller and Auditor General of India Girish Chandra Murmu has been re-elected as the external auditor of _____ for a for a four-year term from_____.

- A. WHO, 2024 to 2027
- B. UNICEF, 2023 to 2026
- C. UNESCO, 2024 to 2027
- D. WTO, 2023 to 2026
- E. UNCTAD, 2024 to 2027

Q7. The tropical cyclones forming over different Ocean basins are named by the concerned regional specialised meteorological centres (RSMCs) and regional Tropical Cyclone Warning Centres (TCWCs). According to the 'List of North Indian Ocean Tropical Cyclone Names', what is the name of the next cyclone after cyclone 'Biparjoy' and the name has been recommended by which country?

- A. Prahar, Bangladesh
- B. Akhand, India
- C. Tej, India
- D. Bhanwar, Nepal
- E. Prachand, Sri Lanka

Q8. Foreign Trade Policy (2023) is a policy document which is based on continuity of time-tested schemes facilitating exports as well as a document which is nimble and responsive to the requirements of trade. Which among the following is not part of the four key pillars of the Foreign Trade Policy 2023 announced recently?

- A. Incentive to Remission
- B. Export promotion through collaboration - Exporters, States, Districts, Indian Missions
- C. Ease of doing business, reduction in transaction cost and e-initiatives
- D. Emerging Areas – E-Commerce Developing Districts as Export Hubs and streamlining SCOMET policy
- E. E-Governance

Q9. The Union government, in consultation with the RBI, fixes the inflation target for the central bank every five years. The Upper Tolerance level of Inflation is _____ and in

case of breach of the upper tolerance for _____ quarters the report has to be submitted by RBI.

- A. 4.0%, three consecutive quarters
- B. 5.0%, two consecutive quarters
- C. 6.0%, two consecutive quarters
- D. 6.0%, three consecutive quarters
- E. 5.0%, three consecutive quarters

Q10. As per the survey of professional forecasters (SPF) by RBI, the real gross domestic product (GDP) growth forecast for 2023-24 has been retained at _____, while it is expected to grow by _____ in 2024-25.

- A. 5.7 per cent, 6.1 per cent
- B. 5.9 per cent, 6.3 per cent
- C. 6.0 per cent, 6.4 per cent
- D. 6.1 per cent, 6.4 per cent
- E. 6.2 per cent, 6.3 per cent

Q11. As per Annual Report of RBI, Commercial banks remained the largest holders of government securities [including T-Bills and state government securities (SGSs)] accounting for _____ as at end-March 2023.

- A. 27.5%
- B. 37.5%
- C. 25.5%
- D. 31.5%
- E. 28.5%

Q12. Which of the following States are among the top 3 States with highest mangrove cover in India?

1. West Bengal
2. Gujarat
3. Andaman Nicobar
4. Tamil Nadu

- A. 1, 2 & 3
- B. Only 2 & 3
- C. Only 1 & 4
- D. Only 3 & 4
- E. 2, 3 & 4

Q13. Group of Twenty (G20) is an intergovernmental forum comprising 19 countries and the European Union. India holds the Presidency of the G20 from December 1, 2022 to November

30, 2023. Which of the following is not one of the guest countries invited in G20 summit under India's presidency?

- A. Bangladesh
- B. Phillipines
- C. Mauritius
- D. Netherlands
- E. Nigeria

Q14. India is NOT a member of which of the following organizations?

- A. SCO
- B. ADB
- C. World Trade Organisation
- D. OECD
- E. World Bank

Q15. As per RBI Annual Report 2022-23, India has remained among the fastest growing major economies of the world, contributing more than _____ to global growth on average during the last five years.

- A. 5.5%
- B. 7.5%
- C. 12%
- D. 6.8%
- E. 10.5%

Q16. As per the Financial Stability Report, SCBs' gross non-performing assets (GNPA) ratio continued its downtrend and fell to a _____ year low in 3.9% in March 2023 and the net non-performing assets (NNPA) ratio declined to _____.

- A. 8, 0.5%
- B. 10, 1%
- C. 13, 1.5%
- D. 10, 1.5%
- E. 8, 1%

Q17. Despite prolonged geopolitical tensions and slowing global trade, India's merchandise exports touched US\$ 450.4 billion during 2022- 23, which is 6.7 per cent above the previous year's record level. Which sector contributed the largest share in the merchandise exports from India?

- A. Electronic Goods
- B. Petroleum Products
- C. Rice

- D. Organic and Inorganic Chemicals
- E. Iron Ore

Q18. The core theme of the 2025 Payments Vision document is E-Payments for Everyone

_____.

- A. E-Payments for Elder
- B. Everywhere, Everytime
- C. Everywhere, Everything
- D. Everything, Everytime
- E. Everyone, Everything

Q19. Which among the following ASEAN countries are also the members of BIMSTEC?

1. Thailand

2. Singapore

3. Myanmar

4. Indonesia

5. Vietnam

- A. 1, 2 and 3 only
- B. 3 and 4 only
- C. 1 and 3 only
- D. 1, 4 and 5
- E. All of the above

Q20. There has been great excitement and a rush of positive sentiment among members of the fintech community (digital lenders), regulated lenders, and investors about the recently (June 2023) released Guidelines on Default Loss Guarantee (DLG) in Digital Lending which were issued by the Reserve Bank of India (RBI). The Guidelines on Default Loss Guarantee (DLG) in Digital Lending is not applicable on which of the following entities?

- A. Payment Banks
- B. Small Finance Banks
- C. State Co-operative Banks
- D. NBFC
- E. Commercial Banks

Q21. The term of State Legislative Assemblies of which of the following State will not end till Jan 2024?

- A. Madhya Pradesh
- B. Rajasthan

- C. Haryana
- D. Chhattisgarh
- E. Telangana

Q22. Which among the following small saving scheme will provide highest return in July-September 2023?

- A. Kisan Vikas Patra
- B. National Savings Certificate (NSC)
- C. Senior citizen savings Scheme
- D. Sukanya Samridhi
- E. Monthly Income Scheme

Q23. HS Prannoy ended a six-year long title drought with a three-game win over China's Weng Hong Yang in a pulsating men's singles finals at the Malaysia Masters. This title is known as _____.

- A. Super 1000 title
- B. Super 500 title
- C. Super 300 title
- D. Super 200 title
- E. Super 100 title

Q24. For the first time in India, the share price of a company crossed the Rs 1 lakh mark. With this, _____ became the first stock in India to cross the Rs 1 lakh mark per share in intra-day trade after its share jumped 1.07 per cent in early trade recently in June 2023.

- A. Honeywell
- B. MRF Ltd
- C. Page Industries
- D. 3M India
- E. Shree Cement

Q25. With classification of UCBs into four tiers, the prudential exposure limits for UCBs to a group of connected borrowers/parties will be how much of their tier-I capital?

- A. ₹150 lakh
- B. ₹120 lakh
- C. ₹60 lakh
- D. ₹50 lakh
- E. ₹70 lakh

Q26. As per the recent (June 2023) data of Department for Promotion of Industry and Internal Trade (DPIIT), United Arab Emirates (UAE), with which India implemented a comprehensive free trade agreement in May last year, has emerged as the fourth largest investor in India

during 2022-23. Which among the following countries are among the top 3 sources of FDI into India?

- A. UAE, Mauritius, US
- B. Netherlands, Mauritius, US
- C. Singapore, Mauritius, US
- D. Singapore, Netherlands, US
- E. Singapore, Mauritius, Australia

Q27. India's overall exports (Merchandise and Services combined) in April 2023 is estimated to be USD 65.02 Billion, exhibiting a positive growth of 2.00 per cent over April 2022. Which one of the following key sectors under merchandise exports exhibited highest positive growth in April 2023 as compared to the same period last year (April 2022)?

- A. Oil Meals
- B. Electronic Goods
- C. Ceramic Products & Glassware
- D. Drugs & Pharmaceuticals
- E. Cereal Preparations & Miscellaneous Processed Items

Q28. Which of the following States are among the top 3 destination States for FDI in India?

1. Maharashtra
2. Karnataka
3. Gujarat
4. Delhi
5. Tamil Nadu

- A. Only 1
- B. Both 2 & 3
- C. 1, 3 and 5
- D. 2, 4 and 5
- E. 1, 2 and 3

Q29. Dr. Mansukh Mandaviya unveiled the 5th State Food Safety Index (SFSI), which evaluates the performance of states and union territories across six different aspects of food safety. Which one of the following are the top-3 states in the large state category of the State Food Safety Index?

- A. Kerala, Punjab and Uttar Pradesh
- B. Andhra Pradesh, Kerala and Punjab
- C. Kerala, Punjab and Tamil Nadu
- D. Haryana, Kerala and Telangana
- E. Haryana, Punjab and Tamil Nadu

Q30. Who has been recently appointed as the chair of B20 India which represents the entire G20 business community?

- A. Ajay Bhalla
- B. Gautam Adani
- C. N. Chandrasekaran
- D. Ratan Tata
- E. Ravneet Kaur

Q31. The headquarters of European Central Bank is located in ____ and was established in ____.

- A. London, 1998
- B. Brusells, 2002
- C. Paris, 2000
- D. Rome, 1998
- E. Frankfurt, 1998

Q32. Which of the following statements is true regarding Call Money, Notice Money and Term Money?

- A. Scheduled commercial banks (including Small Finance Banks) cannot set their own limits for borrowing in call money and notice money markets, within the prescribed prudential limits for inter-bank liabilities
- B. Scheduled commercial banks (excluding Small Finance Banks) can set their own limits for borrowing in call money and notice money markets, within the prescribed prudential limits for inter-bank liabilities
- C. Scheduled commercial banks (excluding Small Finance Banks) can set their own limits for borrowing in call money only but not in notice money markets, within the prescribed prudential limits for inter-bank liabilities
- D. Scheduled commercial banks (including Small Finance Banks) can set their own limits for borrowing in call money only but not in notice money markets, within the prescribed prudential limits for inter-bank liabilities
- E. None of the above

Q33. 50 years after the launch of Project Tiger on April 1, 1973, India's tiger population today ranges from 2,500 to 3,000. When Project Tiger started, we had ___ tiger reserves. In 2023, we have ____.

- A. 9, 47
- B. 9, 53
- C. 9, 48
- D. 9, 55
- E. 9, 67

Q34. Which of the following statements is incorrect regarding Sovereign Gold Bonds?

- A. Investment limit per fiscal year is 4 kg for individuals and Hindu Undivided Family (HUF)
- B. Investment limit per fiscal year is 20 Kg for Trusts and similar entities notified by the Government from time to time
- C. Bond is available both in demat and paper form
- D. Total limit is excluding purchase from secondary market
- E. Bond can be used as collateral for loans

Q35. Which among the following bank has launched corporate customer platform "fyn"?

- A. Kotak Mahindra Bank
- B. IndusInd Bank
- C. HDFC Bank
- D. RBL Bank
- E. Federal Bank

Q36. Which of the following is one of the Payment System Operator in India?

- A. Clearing Corporation of India
- B. National Payments Corporation of India
- C. Scheduled Commercial Banks
- D. All of the above
- E. None of the above

Q37. Recently, 40 years have been completed for the historic win of India in 1983 Cricket World Cup final. India scored 183 runs batting first, what was the score of West Indies?

- A. 128
- B. 133
- C. 110
- D. 125
- E. 140

Q38. The Union Minister of Ports, Shipping & Waterways and Ayush, Shri Sarbananda Sonowal flagged off the maiden International Cruise Vessel " _____", India's first international cruise vessel, from Chennai to _____.

- A. MV Empress, Bangladesh
- B. MV Ganga Vilas, Bhutan
- C. MV Empress, Sri Lanka
- D. MV Ganga Vilas, Sri Lanka
- E. MV Emperor, Sri Lanka

Q39. Which of the following institutes celebrate their foundation day on 1st July?

- A. Indian Space Research Organisation

- B. Institute of Chartered Accountants of India
- C. Defence Research and Development Organisation
- D. Border Roads Organisation
- E. NITI Aayog

Q40. Brand Finance evaluates and values over 5,000 brands every year, across all sectors and geographies. Get instant access to the world's largest brand database, including brand value, brand strength, research and competitive ranking data. According to brand finance India, which among the following is not among the top 5 Indian brands?

- A. Tata
- B. Infosys
- C. HDFC Bank
- D. LIC
- E. Reliance

Q41. The National Institutional Ranking Framework (NIRF) was approved by the MHRD and launched by Honourable Minister of Human Resource Development on 29th September 2015. As per the NIRF's "India Rankings 2023", which one of the following has been matched incorrectly:

- 1. Top performing University: IISc Bengaluru**
- 2. Top performing College: ST Stephens**
- 3. Top performing institute in Overall Category: IIT Madras**

- A. 2 only
- B. 1 and 2 only
- C. 2 and 3 only
- D. 1, 2 and 3
- E. None of the above

Q42. El Nino is a cyclical environmental condition that occurs across the Equatorial Pacific Ocean and is triggered by natural interactions between the ocean and atmosphere with the driving factors being the sea surface temperature, rainfall, air pressure, and atmospheric and ocean circulations. It occurs when the surface water in the equatorial Pacific becomes warmer than average and east winds blow weaker than normal. The phenomenon is similar to which of the following climatic anomaly?

- A. Indian Ocean Dipole
- B. Mavven Oscillation
- C. Madden Jullian Oscillation
- D. Western Disturbances
- E. Monsoon

Q43. Which of the following is the mascots launched by RBI as a part of its financial Awareness campaign?

- A. Ms Money
- B. Mr Money
- C. Money Kumar
- D. Mr Kumar
- E. Money Raja

Q44. Which of the following is the initiative supported by NITI Aayog, aimed to finance 50,000 electric vehicles for MSMEs?

- A. ELECTRO
- B. EVOLVE
- C. EVPURE
- D. EVWORLD
- E. EVNITI

Q45. World Bank has scrapped Ease of Doing Business and announced a new replacement annual series which will reflect a more balanced and transparent approach toward evaluating a country's business and investment climate. What is the name of the new replacement annual series?

- A. Ease Business
- B. Business PRO
- C. Easy Business
- D. Business Ready
- E. Business PORT

Q46. Food and Consumer Affairs Minister Piyush Goyal has announced that India will achieve its target of ____ ethanol blending with petrol by _____ instead of 2030. He also maintained that the maize crop will play an important role in implementation of the programme.

- A. 20%, 2024
- B. 25%, 2025
- C. 20%, 2025
- D. 30%, 2030
- E. 25%, 2023

Q47. Recently, Union Minister of Road Transport and Highway has informed about the ambitious India-Myanmar-Thailand Trilateral Highway which connects Kolkata to Bangkok. It belongs to which of which of the following organization?

- A. BIMSTEC
- B. ASEAN
- C. SCO
- D. G-7

E. G20

Q48. Prime Minister Narendra Modi launched three flagship schemes for urban revamp, including smart cities and housing for all on 25th June 2015, ensuring better quality of life for 40% of the country's population that either live in urban areas or dependent on them for livelihood. Which one of the following are the 3-schemes launched?

1. Smart Cities Mission
2. Atal Mission for Rejuvenation and Urban Transformation (AMRUT)
3. Pradhan Mantri Awas Yojana - Urban (PMAY-U)

- A. Only 1
- B. Both 2 & 3
- C. Only 3
- D. Both 1 & 2
- E. All 1, 2 and 3

Q49. According to the Union Budget 2023, Government has decided to continue the 50-year interest free loan to state governments for one more year to spur _____ investment and, with a significantly enhanced outlay of Rs 1.3 lakh crore, from _____.

- A. Capital, 2021-22
- B. Capital, 2025-26
- C. Capital, 2024-25
- D. Capital, 2022-23
- E. Capital, 2023-24

Q50. Which one of the following statements are correct with respect to the Mission for Integrated Development of Horticulture (MIDH) scheme?

1. It is Central Sector Scheme launched in 2015.
2. It provides financial assistance @35% of the project cost in general areas for setting up post harvest management infrastructure.
3. It provides technical advice and administrative support to state governments/state horticulture missions for the saffron mission.

- A. Only 1
- B. Both 2 & 3
- C. Only 2
- D. Both 1 & 3
- E. All 1, 2 & 3

Q51. Progress has been sluggish in six sectors under Production-Linked Incentive (PLI) schemes. A detailed analysis is being conducted by relevant ministries. Which among the following is not under non-performing sector of the scheme?

- A. Information technology (IT) hardware
- B. White Goods

- C. ACC Battery
- D. Textile
- E. Speciality Steel

Q52. Which one of the following states was among the top-3 states in terms of highest GST revenues in June 2023?

1. Haryana
2. Karnataka
3. Gujarat
4. Uttar Pradesh
5. Maharashtra

- A. Only 2, 3 and 5
- B. Only 1, 3 & 4
- C. Only 1, 2 & 5
- D. Only 3, 4 & 5
- E. Only 2, 3 & 4

Q53. e-way bill is a document required to be carried by a person in charge of the conveyance carrying any consignment of goods of value exceeding _____ as mandated by the Government in terms of section 68 of the Goods and Services Tax Act read with rule 138 of the rules framed thereunder.

- A. Rs 50,000
- B. Rs 40,000
- C. Rs 65,000
- D. Rs 1,00,000
- E. Rs 75,000

Q54. Name the country that conferred its highest civilian honour to President Droupadi Murmu- The Grand Order of the Chain of Yellow Star, the first Indian to receive this award.

- A. Sudan
- B. South Africa
- C. Uganda
- D. Suriname
- E. Serbia

Q55. The Union Cabinet chaired by the Prime Minister Shri Narendra Modi, approved the constitution and empowerment of an Inter Ministerial Committee (IMC) for facilitation of the "World's Largest Grain Storage Plan in Cooperative Sector" by convergence of various schemes of ministries. Which ministry does not belong to that group?

- A. Ministry of Agriculture and Farmers Welfare
- B. Ministry of Cooperation

- C. Ministry of Consumer Affairs, Food and Public Distribution
- D. Ministry of Food Processing Industries
- E. None of the above

Q56. The Reserve Bank releases a quarterly house price index (HPI) based on transaction-level data received from housing registration authorities in ten major cities. The cities are:

- 1. Bengaluru**
- 2. Delhi**
- 3. Jaipur**
- 4. Kanpur**
- 5. Kolkata**
- 6. Mumbai**

Remaining cities are :

- A. Chandigarh, Kochi, Lucknow, Ahmedabad
- B. Chennai, Shimla, Lucknow, Ahmedabad
- C. Chennai, Kochi, Lucknow, Agra
- D. Chennai, Surat, Lucknow, Ahmedabad
- E. Chennai, Kochi, Lucknow, Ahmedabad

Q57. Which one of the following is/are the dimensions across which the states and districts have been assessed under the Social Progress Index (SPI) for States and Districts made by the Institute for Competitiveness and Social Progress Imperative?

- 1. Basic Human Needs**
- 2. Innovation**
- 3. Foundations of Wellbeing**
- 4. Opportunity**
- 5. Foundations of Healthy life**

- A. Only 1, 3 and 4
- B. Only 1, 2 and 3
- C. Only 2, 3 and 4
- D. Only 1 and 2
- E. Only 2 and 3

Q58. NASA's MAVEN mission has released some new, mind-blowing images capturing array of ultraviolet views of the red planet. What does "V" stands for in MAVEN Mission?

- A. Velocity
- B. Vacuum
- C. Volatile

- D. Valence
- E. Vector

Q59. The Basic Statistical Returns (BSR) Code is a seven-digit code that is provided to the registered banks by the RBI. The first three digits in the code identify the bank, while the following four digits identify the bank branch. India's Basic Statistical Returns (BSR) system recently completed _____ since its inception.

- A. 10 years
- B. 20 years
- C. 50 years
- D. 25 years
- E. 75 years

Q60. The Reserve Bank of India (RBI) has fixed the minimum Net Owned Fund (NOF) size for housing finance companies at _____. The housing finance companies (HFCs) holding a Certificate of Registration (CoR) and having an NOF of less than _____ will be required to achieve NOF of Rs 15 crore by March 31, 2022 and _____ by March 31, 2023.

- A. Rs 5 crore
- B. Rs 15 crore
- C. Rs 25 crore
- D. Rs 20 crore
- E. Rs 35 crore

Q61. As per Foreign Trade Policy 2023, towns that produces goods worth at least _____ can be recognized as towns of export excellence, based on their growth potential for exports.

- A. Rs 850 Crore
- B. Rs 750 Crore
- C. Rs 650 Crore
- D. Rs 550 Crore
- E. Rs 450 Crore

Q62. NTPC Limited, India's largest power generation company, has climbed 52 positions to secure the 433rd rank in Forbes' "The Global 2000" List for 2023. Which among the following is/are not the parameters taken into account for determining Forbes 2000 ranking of the top public companies in the world?

- A. Goodwill
- B. Sales
- C. Profits
- D. Assets
- E. Market value

Q63. Recently (June 2023), Indian Council of Agricultural Research (ICAR), New Delhi has signed a MoU with _____ Kisan to combine strengths and create synergy between the two

organizations for guiding the farmers on scientific cultivation of different crops for optimum yield and income.

- A. Snapdeal
- B. Meesho
- C. Amazon
- D. Flipkart
- E. CRED

Q64. Recently, Sebi has proposed to tweak the definition of unpublished price sensitive information (UPSI). It proposed changing the definition of UPSI as it currently stands and bringing Regulation 30 of LODR, according to which the listed firms must notify stock exchanges after the occurrence of any events or facts that are material. Which of the following occurrences are included?

1. Any modification to securities
2. Revision to ratings
3. Initiation of CSR activities
4. Change in director
5. Fraud or default by promoters or key managerial people

- A. Both 2 & 3
- B. 1, 3, 4 and 5
- C. Both 1 & 5
- D. 3, 4 and 5
- E. 1,2,4 and 5

Q65. As per data from the Ministry of Statistics and Programme Implementation released under "Twenty Point Programme", of the 14 parameters tracked quarterly, the Indian Government achieved a more than ____ target completion ("very good") in six parameters.

- A. 80%
- B. 90%
- C. 75%
- D. 60%
- E. 40%

Q66. Household financial savings refer to currency, bank deposits, debt securities, mutual funds, pension funds, insurance, and investments in small savings schemes. The total of these savings is referred to as gross household financial savings. Once financial liabilities, including loans from banks, non-banking financial companies (NBFCs), and housing finance companies, are subtracted from gross savings, what remains is referred to as net household financial savings. As per the RBI Annual Report 2022-23, which one of the following Financial Saving of Household Sector has the highest share in 2021-22?

- A. Deposits

- B. Currency
- C. Shares and Debentures
- D. Insurance Funds
- E. Provident and Pension Funds

Q67. TRAI in its endeavor to curb menace of spams through Unsolicited Commercial Communication (UCC) has taken various measures in recent past. Recently (June 2023), TRAI has now issued a Direction to all the Access Providers to develop and deploy the DCA facility for creating a unified platform and process to register customers consent digitally across all service providers and Principal Entities. What does "DCA" stands for?

- A. Digital Consent Acquisition
- B. Data Consent Acquisition
- C. Digital Content Acquisition
- D. Data Content Acquisition
- E. Digital Communication Acquisition

Q68. Taking forward digitization efforts announced in the Union Budget 2022-23, the Reserve Bank introduced its Central Bank Digital Currency (CBDC) in phases during the year, with the launch of pilots for Digital Rupee (e`) in _____.

- A. Wholesale segments only on December 1, 2022
- B. Retail segments only November 1, 2022.
- C. Wholesale and retail segments on December 1, 2022, and November 1, 2022 respectively.
- D. Wholesale and retail segments on January 1, 2022, and December 1, 2022 respectively.
- E. Wholesale and retail segments on November 1, 2022, and December 1, 2022 respectively.

Q69. As per the recent advance estimates of production of major crops for agricultural year 2022-23 released by the Ministry of Agriculture and Farmers Welfare, the production of which one of the following crops did not increase from the previous year?

- A. Jawar
- B. Rice
- C. Wheat
- D. Bajra
- E. Maize

Q70. Which of the following Scheduled Commercial Banks have recorded the highest number of new branch additions in the financial year ended on 31st March 2023?

- A. Yes Bank
- B. Axis Bank
- C. Bank of Baroda
- D. HDFC Bank
- E. ICICI Bank

Q71. Under SEBI (Mutual Funds) Regulations, 1996, Mutual Funds are permitted to charge certain operating expenses for managing a mutual fund scheme. All such costs for running and managing a mutual fund scheme are collectively referred to as 'Total Expense Ratio' (TER). TER is calculated as a percentage of the Scheme's average _____.

- A. Net Asset Value (NAV)
- B. Absolute Returns
- C. Simple Annualised Return
- D. Total Investments
- E. Redemption Amount

Q72. Which among the following metal was not used to make the commemorative '75 Rupee Coin' which was launched during the inauguration of new parliament?

- A. Silver
- B. Copper
- C. Nickel
- D. Gold
- E. Zinc

Q73. As per IRDAI, which among the following is a criteria used to identify the Domestic 'Systemically Important Insurers'?

- A. Number of Branches
- B. Market Share
- C. Domestic and global interconnectedness
- D. Public Sector
- E. All of the above

Q74. Recently, the Prime Minister of India attended the 3rd summit of 3rd Summit of the Forum for India-Pacific Islands Cooperation (FIPIC) held at which of the following locations?

- A. Fiji
- B. Papua New Guinea
- C. Samoa
- D. Solomon Islands
- E. Niue

Q75. Recently, Indian security forces have been trained in _____ "Krav Maga" to counter China's People Liberation Army (PLA) during patrolling along the Line of Actual Control (LAC).

- A. Russia
- B. Caribbean Island
- C. Israel
- D. France
- E. USA

Q76. The Centre has revised the threshold for GST e-invoicing, and has announced that it will be mandatory for all businesses with annual turnover of over _____ to move to e-invoicing for business to business transaction under goods and services tax (GST) from _____.

- A. Rs 2 crore, Rs 10 Crore
- B. Rs 3.5 crore, Rs 10 Crore
- C. Rs 5 crore, Rs 10 Crore
- D. Rs 10 crore, Rs 20 Crore
- E. Rs 15 crore, Rs 20 Crore

Q77. According to the Union Budget 2023-24, the highest surcharge rate in personal income tax has been reduced from 37% to _____ in the new tax regime for income above ₹2 crore.

- A. 15%
- B. 36%
- C. 17%
- D. 25%
- E. 30%

Q78. Which among the following player has courted controversy when he wrote “Kosovo is the heart of Serbia, depicting the ethnic tensions flared in the Balkan nation?”

- A. Casper Ruud
- B. Carlos Alcaraz
- C. Novak Djokovic
- D. Rafael Nadal
- E. Andrey Rublev

Q79. Government of India through Indian Strategic Petroleum Reserve Ltd. (ISPRL) under Phase-1 has setup Strategic Petroleum Reserves (SPR) at three locations namely Vishakhapatnam, Mangalore and _____.

- A. Varanasi
- B. Padur
- C. Raipur
- D. Kolkata
- E. Ranchi

Q80. Which one of the following statements are correct regarding the PM KUSUM Scheme?

1. It seeks to increase the farmers income
2. The scheme comprises of 3- components.
3. It works towards decreasing the environmental pollution.

- A. Only 1
- B. Both 2 & 3
- C. Only 3

- D. Both 1 & 2
- E. All 1, 2 and 3

**RBI Grade B 2023 - Recollected Questions
Answer Key
Section – General Awareness**

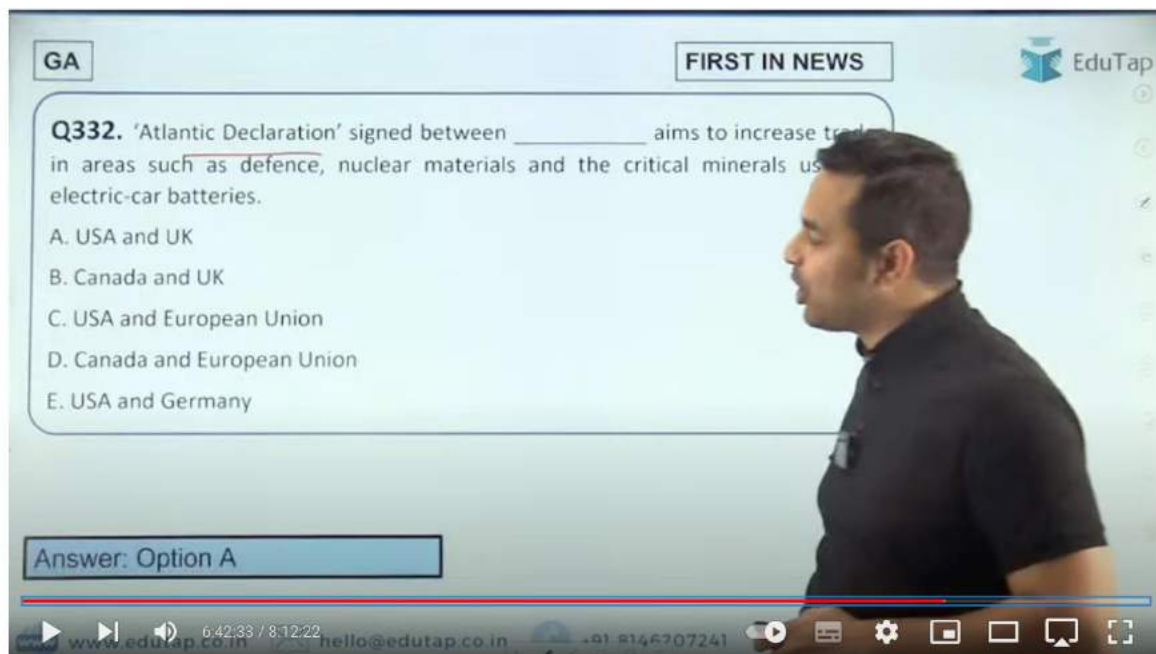
Question Number	Answer	Question Number	Answer	Question Number	Answer	Question Number	Answer
1	A	21	C	41	A	61	B
2	C	22	C	42	A	62	A
3	B	23	B	43	C	63	C
4	C	24	B	44	B	64	E
5	E	25	C	45	D	65	B
6	A	26	C	46	C	66	A
7	C	27	A	47	A	67	A
8	E	28	E	48	E	68	E
9	D	29	C	49	E	69	A
10	C	30	C	50	B	70	D
11	B	31	E	51	A	71	A
12	A	32	B	52	A	72	D
13	B	33	B	53	A	73	E
14	D	34	D	54	D	74	B
15	C	35	A	55	B	75	C
16	B	36	D	56	E	76	C
17	B	37	E	57	A	77	D
18	B	38	C	58	C	78	C
19	C	39	B	59	C	79	B
20	A	40	C	60	C	80	E

RBI Grade B 2023 - Recollected Questions Explanations

Section – General Awareness

Q.1) Explanation:

US President Joe Biden and UK Prime Minister Rishi Sunak agreed an **“Atlantic declaration”** to strengthen economic ties between the two countries. The declaration aims **to increase US-UK trade in areas** such as defence, nuclear materials and the critical minerals used in electric-car batteries.



The screenshot shows a video player interface. At the top left, there is a 'GA' tab. At the top right, there is a 'FIRST IN NEWS' tab and the EduTap logo. The main content area displays a question: 'Q332. 'Atlantic Declaration' signed between _____ aims to increase trade in areas such as defence, nuclear materials and the critical minerals used in electric-car batteries.' Below the question are five multiple-choice options: A. USA and UK, B. Canada and UK, C. USA and European Union, D. Canada and European Union, and E. USA and Germany. At the bottom of the question area, there is a blue box containing the text 'Answer: Option A'. The video player controls at the bottom show a progress bar at 6:42:33 / 8:12:22, along with various icons for play, volume, and settings. The URL 'www.edutap.co.in' and contact information 'hello@edutap.co.in' and '+91 8146707241' are visible in the bottom left corner.

RBI Grade B 2023 Current Affairs | GA for RBI Grade B | General Awareness RBI | EduTap Marathon

Covered in EduTap Course: CurrentTap Magazine – June 2023

21.	First US-UK Economic Partnership- established through Atlantic Declaration	--	The declaration provides for greater cooperation on pressing economic challenges in areas like clean energy, critical minerals and artificial intelligence between United States (US) & United Kingdom (UK).
-----	--	----	---

Hence **A** is the correct answer.

Q.2) Explanation:

The **United States** had announced its intention to rejoin **UNESCO** in June 2023.

Covered in EduTap Course: CurrentTap Magazine – July 2023

2.43 UNESCO moves to readmit United States after its 2017 withdrawal

Why in news?

- Recently The United Nations Educational, Scientific and Cultural Organization has agreed to readmit the United States as a member.

Important information

- **US withdrawn** from UNESCO in: 2017.
- **UNESCO: The United Nations Educational, Scientific and Cultural Organization (UNESCO)**
- Year of formation: **1945**
- HQ: **Paris, France.**
- Current membership: **193 countries.**
- **India is a founding member** of UNESCO. (UNESCO **office present in India since 1948**)
- **Nodal Ministry** in India which works with UNESCO: **Ministry of Education** (Erstwhile Human Resource development Ministry)
- **UNESCO World Heritage Site:** is a site **recognized by UNESCO** as having a **distinctive cultural or physical significance**, and which is considered of outstanding value to humanity.

Hence **C** is the correct answer.

Q.3) Explanation:

The financial inclusion dashboard called '**Antardrishti**' has been launched by the **RBI**. This dashboard will provide the required insight to **assess and monitor the progress of financial inclusion** by capturing all the relevant parameters.



Q131. Shri Shaktikanta Das, Governor, launched a Financial Inclusion Dashboard, named _____ that will provide the required insight to assess and monitor the progress of financial inclusion by capturing relevant parameters.

A. ANTARGYAN
B. ANTARBODH
C. ANTARDRISHTI
D. ANTAHGYAN
E. GYANCHAKSHU

RBI Grade B 2023 Current Affairs | GA for RBI Grade B | General Awareness RBI | EduTap Marathon

EduTap - Regulatory Bo...
321K subscribers

40K views Streamed 4 days ago RBI Grade B - Ultra Marathon and Revision Sessions for Phase 1 + Phase 2

Covered in EduTap Course: RBI NewsTap June 2023

1.1 RBI launches अंतर्दृष्टि (ANTARDRISHTI) Financial Inclusion Dashboard

- Shri Shaktikanta Das, Governor, launched a **Financial Inclusion Dashboard**, named, **अंतर्दृष्टि (ANTARDRISHTI)**.
- The dashboard will provide the required insight **to assess and monitor the progress of financial inclusion** by capturing relevant parameters.
- This facility will also enable us to **gauge the extent of financial exclusion at granular levels across the country** so that such areas can be addressed.
- The dashboard, presently intended for internal use in the RBI, will further facilitate greater financial inclusion through a multi-stakeholder approach.

Hence **B** is the correct answer.

Q.4) Explanation:

Climate Change **researcher Joyeeta Gupta**, professor of Environment and Development at the University of Amsterdam, has been picked for the **Spinoza Prize**, the highest scientific honour in The Netherlands. The **1.5 million euros** Spinoza Prize, is sometimes referred to as the Dutch Nobel.

Covered in EduTap Course: CurrentTap Magazine – June 2023

2.	Spinoza Prize	--	Joyeeta Gupta (Indian-origin scientist)	She has been awarded for her scientific work focusing on a 'just and sustainable world'. Spinoza Prize, also referred as 'Dutch Nobel Prize', is the highest distinction in Dutch science
----	---------------	----	---	--

Hence **C** is the correct answer.

Q.5) Explanation:

Although **no country has yet achieved full gender parity**, Iceland is the most gender-equal country in the world for the 14th consecutive year and the only one to have closed more than 90% of its gender gap, according to the **Global Gender Gap Index Rankings**.

Hence **E** is the correct answer.

Q.6) Explanation:

The Comptroller and Auditor General (CAG) of India **Girish Chandra Murmu** has been re-elected as external auditor of the **World Health Organization (WHO)** for a **four-year term** from 2024 to 2027.

Covered in EduTap Course: CurrentTap Magazine – May 2023

37.	Girish Chandra Murmu (Comptroller and Auditor General of India - CAG)	External Auditor	World Health Organization	Re-elected for a four-year term from 2024 to 2027 He is already holding this position since 2019 for a four-year term (2019-2023)
-----	---	------------------	---------------------------	--

Hence **A** is the correct answer.

Q.7) Explanation:

Worldwide there are six regional specialised meteorological centres (RSMCs) and five regional Tropical Cyclone Warning Centres (TCWCs) mandated for issuing advisories and naming of tropical cyclones. India Meteorological Department is one of the six RSMCs to provide tropical cyclone and storm surge advisories to 13 member countries under WMO/ESCAP Panel.

WMO/ESCAP Panel Member countries	Column 1		Column 2		Column 3		Column 4	
	Name	Pron'	Name	Pron'	Name	Pron'	Name	Pron'
Bangladesh	Nisarga	Nisarga	Biparjoy	Biporjoy	Arnab	Ornab	Upakul	Upokul
India	Gati	Gati	Tej	Tej	Murasu	Murasu	Aag	Aag
Iran	Nivar	Nivar	Hamoon	Hamoon	Akvan	Akvan	Sepand	Sepand

Hence **C** is the correct answer.

Q.8) Explanation:

Covered in EduTap Course: Foreign Trade Policy 2023 Document

Foreign Trade Policy 2023



Hence **E** is the correct answer.

Q.9) Explanation:

The **Upper Tolerance level of Inflation** is **6.0%** and in case of breach of the upper tolerance for **three consecutive quarters** the report has to be submitted by RBI.

Hence **D** is the correct answer.

Q.10) Explanation:

As per the **survey of professional forecasters (SPF)** by RBI, the real gross domestic product (GDP) growth forecast for **2023-24** has been retained at **6.0 per cent**, while it is expected to grow by **6.4 per cent** in **2024-25**.

Survey of Professional Forecasters on Macroeconomic Indicators- Results of the 82nd Round¹

The Reserve Bank has been conducting the **survey of professional forecasters (SPF)** since **September 2007**. The responses for 82nd round of the survey were received during May 13-June 2, 2023, wherein **thirty-nine panellists participated**. The survey results are summarised in terms of their median forecasts (Annexes 1-7), along with quarterly paths for key variables.

	2023-24	2024-25
Merchandise Exports in US \$ terms (annual growth in per cent)	-2.9 (-0.6)	8.3
Merchandise Imports in US \$ terms (annual growth in per cent)	-4.0 (-0.2)	7.8
Current Account Balance (per cent of GDP at current market prices)	-1.5 (+0.5)	-1.8

- Real gross **domestic product (GDP)** growth forecast for **2023-24** has been retained at **6.0 per cent**; it is expected to grow by **6.4 per cent in 2024-25**
- Real gross value added (**GVA**) growth projection for 2023-24 has been kept unchanged at **5.8 per cent**.
- Annual headline inflation**, based on **consumer price index (CPI)**, is expected at **5.0 per cent** for 2023-24 and 4.9 per cent during 2024-25
- Merchandise exports and imports** are projected to decline by **(-2.9 per cent and (-)4.0 per cent** respectively, in US dollar terms during 2023-24 and are **expected to grow by 8.3 per cent and 7.8 per cent**, respectively, during 2024-25
- SPF panellists expect **current account deficit (CAD)** at **1.5 per cent** (of GDP at current market prices) in 2023-24 and 1.8 per cent in 2024-25

RBI Notification Revision | RBI Phase 1 & 2 Current Affairs MCQs | RBI Grade B 2023 Preparation

EduTap - Regulatory Bodies ... 321K subscribers

14K views Streamed 2 weeks ago RBI Grade B - Ultra Marathon and Revision Sessions for Phase 1 + Phase 2

Covered in EduTap Course: RBI NewsTap June 2023

1.10 Survey of Professional Forecasters on Macroeconomic Indicators- Results of the 82nd Round

- The responses for **82nd round** of the survey were received during May 13-June 2, 2023, wherein thirty-nine panellists participated.

Highlights:

Output

- Real gross domestic product (GDP)** growth forecast for **2023-24** has been retained at **6.0 per cent**; it is expected to grow by **6.4 per cent in 2024-25**

Hence C is the correct answer.

Q.11) Explanation:

As per Annual Report of RBI, Commercial banks remained the largest holders of government securities [including T-Bills and state government securities (SGSs)] accounting for **37.5%** as at end-March 2023.

Covered in EduTap Course: Summary of RBI Annual Report 2022 – 2023

Ownership of Securities

- **Commercial banks** remained the largest holders of government securities [including T-Bills and state government securities (SGSs)] accounting for 37.5% as at end-March 2023, followed by insurance companies (25.2%), provident funds (9.8%) and the Reserve Bank (9.2%). The share of the foreign portfolio investors (FPIs) was 0.9%. The other holders of government securities (including T-Bills and SGSs) include mutual funds, state governments, financial institutions (FIs) and corporates.

Hence **B** is the correct answer.

Q.12) Explanation:

West Bengal, Gujarat, Tamil Nadu are the among the top 3 States with highest mangrove cover in India.

Hence **A** is the correct answer.

Q.13) Explanation:

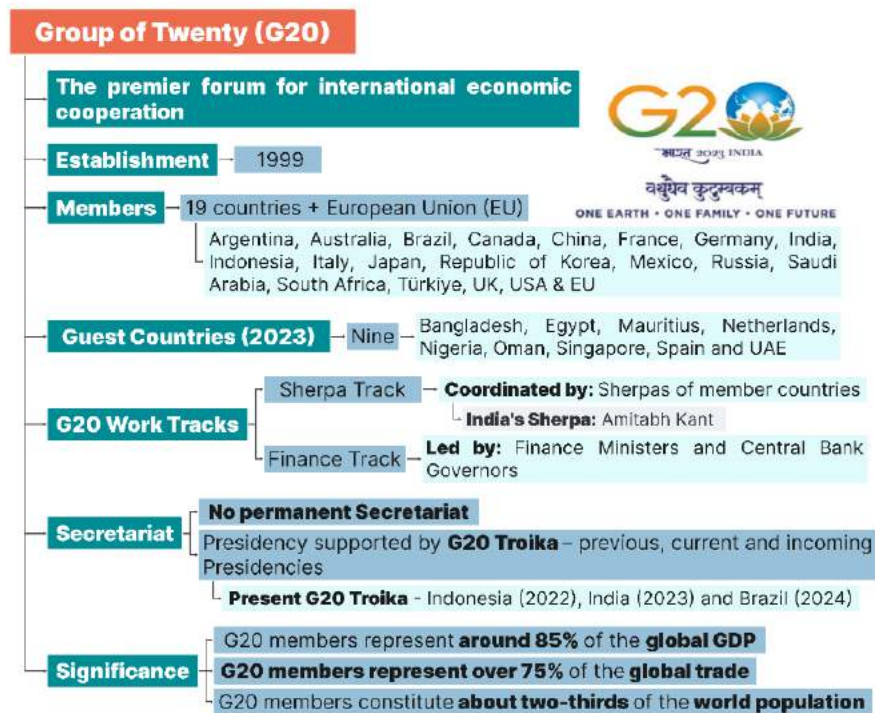
Under India's **G20 Presidency**, nine countries — **Bangladesh, Egypt, Mauritius, Netherlands, Nigeria, Oman, Singapore, Spain and the United Arab Emirates** — have been invited to be the “guest countries”.

Covered in EduTap Course: CurrentTap Magazine – December 2022

Key Highlights

- A side event - **Transforming Lives at the Midpoint of the 2030 Agenda: Accelerating Achievement of the Sustainable Development Goals in an Era of Cascading and Multiple Crises** was organized
- A dialogue on ‘**Global & Regional Economy: Prospects & Challenges**’ was organized.
- The Sherpas visited historical sites viz, **Kumbalgarh fort and Ranakpur temple** in Rajasthan.

- **Kumbalgarh fort** is a United Nations Educational, Scientific and Cultural Organization (**UNESCO**) World heritage site



Hence, **Phillipines** is the country which does not belongs to the above list of guest countries.

Hence **B** is the correct answer.

Q.14) Explanation:

India is the Member of SCO, ADB, WTO and the World Bank.

Following are the members of OECD:

— **Our global reach**

Member countries

Australia	Finland	Korea	Slovak Republic
Austria	France	Latvia	Slovenia
Belgium	Germany	Lithuania	Spain
Canada	Greece	Luxembourg	Sweden
Chile	Hungary	Mexico	Switzerland
Colombia	Iceland	Netherlands	Türkiye
Costa Rica	Ireland	New Zealand	<u>United Kingdom</u>
Czech Republic	Israel	Norway	United States
Denmark	Italy	Poland	
Estonia	Japan	Portugal	

From above list, it can be concluded that **India is not the member of OECD.**

Hence **D** is the correct answer.

Q.15) Explanation:

As per RBI Annual Report 2022-23, India has remained among the fastest growing major economies of the world, contributing more than **12%** to global growth on average during the last five years.

ASSESSMENT AND PROSPECTS

The war in Ukraine, the persistent elevation in food and energy inflation; and the tightening of financial conditions in response to aggressive and synchronised monetary policy tightening across the world took a toll on growth which slowed to estimated 3.4 per cent in 2022 from 6.2% in 2021, according to the IMF.

Volatility has ebbed in global financial markets and risks to financial stability from the failure of banks in some advanced economies (AEs) in March 2023 have eased.

India has remained among the fastest growing major economies of the world, contributing more than 12% to global growth on average during the last five years.

Handwritten notes: Feb 2022, Food Inflation, Repo Rate, i↑, DL, SJ

RBI Annual Report | Important Reports for RBI Grade B | Finance Current Affairs Phase 1 and Phase 2

EduTap - Regulatory Bo...
321K subscribers

Subscribed

Like

Share

Download

27K views Streamed 1 month ago Finance Current Affairs for RBI Grade B | NABARD Grade A and other Govt Exams

Hence C is the correct answer.

Q.16) Explanation:

As per the Financial Stability Report, SCBs' gross non-performing assets (GNPA) ratio continued its downtrend and fell to a **10 year low** in 3.9% in March 2023 and the net non-performing assets (NNPA) ratio declined to **1%**.

Q127. The capital-to-risk-weighted assets ratio (CRAR) and the common equity tier 1 (CET1) ratio of scheduled commercial banks (SCBs) rose to historical highs of _____ and 13.9%, respectively, in March 2023.

A. 16.8%
B. 15.5%
C. 18.7%
D. 18.9%
E. 17.1%

Ans: E

Handwritten notes: SCBs, N

SCBs	
GNPA	3.9% (10-year low)
NNPA	1%
CRAR	17.1%
CET1	13.9%
PCR	74%
Profit After Tax	38.4%
Credit Growth	15.4%

RBI Grade B 2023 Current Affairs | GA for RBI Grade B | General Awareness RBI | EduTap Marathon

EduTap - Regulatory Bodies ...
321K subscribers

Subscribed

Like

Share

Download

40K views Streamed 4 days ago RBI Grade B - Ultra Marathon and Revision Sessions for Phase 1 + Phase 2

Covered in EduTap Course: Summary of Financial Stability Report June 2023

- **Gross non-performing assets (GNPA) ratio** continued its downtrend and fell to a **10-year low** of **3.9% in March 2023**.
- **Net non-performing assets (NNPA) ratio** declined to **1.0%**.

SCBs	
GNPA	3.9% (10-year low)
NNPA	1%
CRAR	17.1%
CET1	13.9%
PCR	74%
Profit After Tax	38.4%
Credit Growth	15.4%

Hence **B** is the correct answer.

Q.17) Explanation:

Merchandise Trade - The global **slowdown** has **dampened India's merchandise exports**. Nevertheless, **merchandise exports at US\$ 450.4 billion in 2022- 23 grew by 6.7%** as compared with 44.6% in the previous year. **Merchandise imports at US\$ 714.0 billion grew at a higher pace of 16.5%** during the same period. **Petroleum products** were the major driver of export growth as non-oil exports declined marginally in 2022-23.

Hence **B** is the correct answer.

Q.18) Explanation:

The core theme of the 2025 Payments Vision document is '4Es' – E-Payments for Everyone, Everywhere, Everytime.

Yes

Payments Vision 2025

Payments Vision 2025 was released with the core theme of e-Payments for Everyone, Everywhere and Everytime. The Vision aims to provide every user with safe, secure, fast, convenient, accessible, and affordable e-payment options. A snapshot of the specific initiatives, including discussions on different dimensions that are planned as part of Payments Vision 2025 is presented below:

Integrity	Inclusion	Innovation	Institutionalisation
-----------	-----------	------------	----------------------

RBI Annual Report | Important Reports for RBI Grade B | Finance Current Affairs Phase 1 and Phase 2

EduTap - Regulatory Bo...
321K subscribers

Subscribed

Like

Share

Download

27K views Streamed 1 month ago Finance Current Affairs for RBI Grade B | NABARD Grade A and other Govt Exams

Hence **B** is the correct answer.

Q.19) **Explanation:**

ASEAN countries:

ASEAN Member States



Brunei Darussalam
Commencement Date:
7 January 1984



Cambodia
Commencement Date:
30 April 1999



Indonesia
Commencement Date:
8 August 1967



Myanmar
Commencement Date:
23 July 1997



Lao PDR
Commencement Date:
23 July 1997



Malaysia
Commencement Date:
8 August 1967



Philippines
Commencement Date:
8 August 1967



Singapore
Commencement Date:
8 August 1967



Thailand
Commencement Date:
8 August 1967



Viet Nam
Commencement Date:
28 July 1995

BIMSTEC countries:

Member States

Bangladesh Commencement Date: 06 June 1997	Bhutan Commencement Date: 08 February 2004	India Commencement Date: 06 June 1997	Myanmar Commencement Date: 22 December 1997
Nepal Commencement Date: 08 February 2004	Sri Lanka Commencement Date: 06 June 1997	Thailand Commencement Date: 06 June 1997	

Hence C is the correct answer.

Q.20) Explanation:

Covered in EduTap Course: RBI NewsTap June 2023

1.15 Guidelines on Default Loss Guarantee (DLG) in Digital Lending

- The Reserve Bank of India (RBI) has **allowed default loss guarantee (DLG)**, a safety-net arrangement among banks, non-banking finance companies, and lending service providers (LSPs, popularly known as **fintech players**) in the digital lending space.

- **These guidelines** are **applicable** to DLG arrangements entered in 'Digital Lending' operations undertaken by the following entities:
 - **All Commercial Banks (including Small Finance Banks)**
 - **Primary (Urban) Co-operative Banks, State Co-operative Banks, Central Co-operative Banks**
 - **Non-Banking Financial Companies (including Housing Finance Companies)**

1. **Scope of Application:** These guidelines are applicable to DLG arrangements entered in 'Digital Lending' operations undertaken by following entities (hereinafter referred to as 'Regulated Entities'):

- 1.1. All Commercial Banks (including Small Finance Banks),
- 1.2. Primary (Urban) Co-operative Banks, State Co-operative Banks, Central Co-operative Banks; and
- 1.3. Non-Banking Financial Companies (including Housing Finance Companies)

2. **Definitions**

2.1. **Default Loss Guarantee (DLG):** A contractual arrangement, called by whatever name, between the Regulated Entity (RE) and an entity meeting the criteria laid down at para 3 of these guidelines, under which the latter guarantees to compensate the RE, loss due to default up to a certain percentage of the loan portfolio² of the RE, specified upfront. Any other implicit guarantee of similar nature linked to the performance of the loan portfolio of the RE and specified upfront, shall also be covered under the definition of DLG.

2.2. The terms used and not defined in these guidelines will have the same meaning as assigned to them in the Circular on 'Guidelines on Digital Lending' dated September 02, 2022.

3. **Eligibility as DLG Provider** – RE may enter into DLG arrangements only with a Lending Service Provider (LSP)/ other RE with which it has entered into an outsourcing (LSP) arrangement. Further, the LSP providing DLG must be incorporated as a company under the Companies Act, 2013.

6. **Cap on DLG:** RE shall ensure that total amount of DLG cover on any outstanding portfolio which is specified upfront shall not exceed five per cent of the amount of that loan portfolio. In case of implicit guarantee arrangements, the DLG Provider shall not bear performance risk of more than the equivalent amount of five per cent of the underlying loan portfolio.

7. **Recognition of NPA:** Recognition of individual loan assets in the portfolio as NP/ and consequent provisioning shall be the responsibility of the RE as per the extant asset classification and provisioning norms irrespective of any DLG cover available at the portfolio level. Amount of DLG invoked shall not be set off against the underlying asset recovery by the RE, if any, from the loans on which DLG has been invoked. The amount of DLG invoked can be shared with the DLG provider in terms of the contractual arrangement.

8. **Treatment of DLG as Regulatory capital:** Capital computation, i.e., computation of exposure to credit risk, shall be governed by the extant norms⁴.

9. **DLG to be provided before the due date of the loan:** DLG must be provided before the due date of the loan. DLG must be provided within a maximum overdue period of 90 days before the due date of the loan.

RBI Grade B 2023 Current Affairs | GA for RBI Grade B | General Awareness RBI | EduTap Marathon

EduTap - Regulatory Bo...
321K subscribers

40K views Streamed 4 days ago RBI Grade B - Ultra Marathon and Revision Sessions for Phase 1 + Phase 2

Hence **A** is the correct answer.

Q.21) Explanation:

Before 2024 Lok Sabha election, 5 states to go on polls. Now as per political analysts, three assembly elections could also take place alongside the Lok Sabha polls which will keep the political pot boiling.

After Karnataka, Madhya Pradesh, Rajasthan, Chhattisgarh, Telangana, and Mizoram would go to polls this year.

Hence, **Haryana** is the state whose State Legislative Assembly's term will not end till Jan 2024.

Link: <https://www.livemint.com/news/india/before-2024-lok-sabha-election-5-states-that-go-on-polls-mp-rajasthan-chhattisgarh-telangana-and-mizoram-11684112645718.html>

Hence **C** is the correct answer.

Q.22) Explanation:

Covered in EduTap Course: Covered in SchemesTap - June 2023 - Second Section

1.20 Small Saving Schemes

What's in News?

- Government **raises interest rates** on select small saving schemes by up to 0.3% for the **July-September quarter (2023-24)**.
- Income proof will be required **if investment exceeds ₹10 lakh**.

Small Saving Schemes

- Customers holding accounts with India Post will be segmented in three categories– **low, medium and high risk**
 - Low-risk category is one where an investor wants to invest in or holds certificates with a maturity value of **up to ₹ 50,000** or the existing balance in saving accounts does not exceed ₹50,000.
 - The medium-risk category involves those whose investments range **from ₹50,000 to ₹10 lakh**.
 - The high-risk category of investors includes those who invest or hold investments in **excess of ₹10 lakh**.
- For the high-risk category of investors, it is mandatory to furnish proof of the source of funds, which includes bank statements, income tax returns, succession certificates, gifts or sale deeds, wills, or any document that reflects the income or source of funds.
- Depositors in the low, medium and high-risk categories will need to resubmit their KYC **every 7, 5 and 2 years, respectively**.
- Existing India Post depositors **must submit their Aadhaar before September 30, 2023**, if they have not already submitted it.
- Interest rates for small savings schemes are **notified on a quarterly basis**.
- Highest increase of 0.3% was for the **5-year Recurring Deposit (RD)**
 - RD holders would get **6.5%** against the existing 6.2%
- One-year term deposit with post offices will now earn 0.1% higher point **at 6.9%** and for the 2 years tenor — 7% (up from 6.9%).
- Interest rates for **Public Provident Fund Account (PPF)** and savings deposits are retained at **7.1%** and 4%, respectively.
- **National Savings Certificate (NSC)** remained unchanged at 7.7%.
- **Sukanya Samriddhi** – 8%
- **Senior citizen savings scheme** - 8.2%
- **Kisan Vikas Patra (KVP)** - 7.5%
- Provident Fund (PPF) scheme - 7.1 %
- No increase in interest rate for **Monthly Income Scheme** - 7.4%
- Interest rates on term deposits for 3 years and 5 years have been retained at 7% and 7.5%

Hence **C** is the correct answer.

Q.23) Explanation:

Star Indian shuttler HS Prannoy ended a six-year-long title drought with a three-game win over China's Weng Hong Yang in a pulsating men's singles finals at the Malaysia Masters Super 500 tournament.

Above, the event name has been mentioned as “**Malaysia Masters Super 500 tournament**”.

Hence **B** is the correct answer.

Q.24) Explanation:

For the first time in India, the share price of a company crossed the Rs 1 lakh mark. With this, **MRF Ltd** became the first stock in India to cross the Rs 1 lakh mark per share after its share jumped 1.07 per cent in early trade recently in June 2023.

Hence **B** is the correct answer.

Q.25) Explanation:

With classification of UCBs into four tiers, the prudential exposure limits for UCBs to a group of connected borrowers/parties will be **₹60 lakh**.

The screenshot shows a YouTube video player. The video content includes a question: "Q82. Recently upon classification of UCBs into four tiers under the revised regulatory framework, it has been decided to specify the limits on housing loans sanctioned by UCBs to an individual borrower as ₹60 lakh for Tier-1 UCBs and _____ for UCBs categorized in Tier-2 to 4." The options are: A. ₹150 lakh, B. ₹120 lakh, C. ₹140 lakh, D. ₹70 lakh, E. None of the above. Below the question, there is a diagram of a pyramid with four levels, and a list of four tiers for UCBs: a. Tier 1 - All unit UCBs and salary earners' UCBs (irrespective of deposit size), and all other UCBs; b. Tier 2 - UCBs with deposits more than ₹100 crore and up to ₹1000 crore; c. Tier 3 - UCBs with deposits more than ₹1000 crore and up to ₹10,000 crore; d. Tier 4 - UCBs with deposits more than ₹10,000 crore. A presenter is visible in the bottom right corner of the video frame. The video player interface shows the title "RBI Grade B 2023 Current Affairs | GA for RBI Grade B | Finance Current Affairs | EduTap Marathon", the channel name "EduTap - Regulatory Bo..." with 321K subscribers, and the video title "RBI Grade B - Ultra Marathon and Revision Sessions for Phase 1 + Phase 2". The video has 22K views and was streamed 12 days ago.

1.6 Individual Housing loans – Revised limits under four-tiered regulatory framework

- RBI recently decided to specify the **limits** on **housing loans** sanctioned by **Urban Cooperative Banks (UCBs)** to an individual borrower, considering the **updated 4-tier categorization** of UCBs.
- New Limits: **₹60 lakh** for **Tier-1 UCBs** and **₹140 lakh** for **Tier-2 to Tier-4 UCBs**.

Background

- RBI has previously announced the limits on housing loans sanctioned by Urban Cooperative Banks (UCBs) to an individual borrower **in June, 2022**.
- Those only included **2-tiers** of UCBs, i.e., Tier-1 and Tier-2 UCBs.

Note: The Categorization of UCBs has been explained in detail in the December 2022 RBI Notifications Magazine. (Article 1.1)

Hence C is the correct answer.

Q.26) Explanation:

The countries which are **top-3 sources of FDI** into India- **Singapore, Mauritius, US**

FDIs are at their lowest since 2019-20

EduTap

Table II.7.2: Foreign Direct Investment Flows
(US\$ billion)

	2019-20	2020-21	2021-22	2022-23
1. Net FDI (1.1 - 1.2)	43.0	44.0	40.0	30.0
1.1 Net Inward FDI (1.1.1 - 1.1.2)	56.0	54.9	52.0	42.0
1.1.1 Gross Inflows	74.4	82.0	78.0	65.0
1.1.2 Repatriation/Disinvestment	18.4	27.0	26.0	23.0
1.2 Net Outward FDI	13.0	10.9	12.0	12.0

Source: RBI.

Chart II.7.21: Source Country-wise Inflow of FDI (Equity)

Country	2021-22 (US\$ billion)	2022-23 (US\$ billion)
Singapore	18.0	16.0
Mauritius	10.0	9.0
US	8.0	7.0
UAE	4.0	3.0
Netherlands	3.0	2.0
Japan	2.0	1.0
UK	1.0	1.0
Cyprus	1.0	1.0
Canada	1.0	1.0
Cyprian Islands	1.0	1.0
Others	1.0	1.0

RBI Annual Report | Important Reports for RBI Grade B | Finance Current Affairs Phase 1 and Phase 2

EduTap - Regulatory Bo...
321K subscribers

Subscribed

Like Share Download

27K views Streamed 1 month ago Finance Current Affairs for RBI Grade B | NABARD Grade A and other Govt Exams

Covered in EduTap Course: Summary of RBI Annual Report 2022 – 2023

- During 2022-23, the **top FDI source countries** were **Singapore**, Mauritius, the US, the UAE and the Netherlands, contributing 76.5% of total FDI equity.

Hence **C** is the correct answer.

Q.27) Explanation:

India's overall exports (Merchandise and Services combined) in April 2023 is estimated to be USD 65.02 Billion, exhibiting a positive growth of 2.00 per cent over April 2022.

Under merchandise exports, 11 of the 30 key sectors exhibited positive growth in April 2023 as compared to the same period last year (April 2022). These include **Oil Meals (95.14%)**, Electronic Goods (26.49%), Rice (24.01%), Oil Seeds (18.01%), Ceramic Products & Glassware (17.21%), Spices (14.44%), Drugs & Pharmaceuticals (10.45%), Fruits & Vegetables (9.96%), Tobacco (6.28%), Coffee (4.17%) and Cereal Preparations & Miscellaneous Processed Items (2.03%).

Hence **A** is the correct answer.

Q.28) Explanation:

The top 3 destination States for FDI in India are- Maharashtra, Karnataka, and Gujarat

Hence **E** is the correct answer.

Q.29) Explanation:

The **top-3 states** in the large state category of the **State Food Safety Index: Kerala, Punjab** and **Tamil Nadu**

EduTap

• According to the recently released "State Food Safety Index (SFSI)", by FSSAI, the states which topped the index are given below.

Category	Rank	State/UT
Larger states	1.	Kerala
	2.	Punjab
	3.	Tamil Nadu
Smaller states	1.	Goa
	2.	Manipur
	3.	Sikkim
Union Territories	1.	Jammu and Kashmir
	2.	Delhi
	3.	Chandigarh

• The State Food Safety Index (SFSI) is based on 5 parameters which are as follows:

- o Human Resource
- o Institutional Data
- o Compliance
- o Food Safety
- o Food Safety Surveillance

RBI Grade B 2023 Current Affairs | GA for RBI Grade B | General Awareness RBI | EduTap Marathon

• Top performers in the 5th edition were:

- Larger states – Kerala secured the top ranking, followed by Punjab and Tamil Nadu.
- Small states – Goa emerged as the leader, followed by Manipur and Sikkim.
- Union Territories – Jammu and Kashmir stood on top, followed by Delhi and Chandigarh.

PIB Current Affairs MCQs | Important ESI Current Affairs Revision | RBI, SEBI & NABARD Preparation



EduTap - Regulatory Bodies ...
324K subscribers

Analytics

Edit video

Share

Download

Save

...

Hence **C** is the correct answer.

Q.30) **Explanation:**

N. Chandrasekaran has been recently appointed as the chair of B20 India which represents the entire G20 business community.

Covered in EduTap Course: CurrentTap Magazine – December 2022

		Chairman	Business 20 (B20) India	He is the Chairman of Tata Sons.
7.	N Chandrasekaran	<p>Additional Information: Confederation of Indian Industry (CII) has been appointed as the B20 India Secretariat by the government to lead the B20 India process.</p> <p>B20, established in 2010, is the official G-20 dialogue forum with the global business community.</p>		

Hence C is the correct answer.

Q.31) Explanation:

The **headquarters of European Union Bank** is located in **Frankfurt** and was established in **1998**.

Hence E is the correct answer.

Q.32) Explanation:

The Reserve Bank of India has allowed banks to set their own limits for borrowing in call and notice money markets. According to RBI, Scheduled commercial banks (excluding Small Finance Banks) can set their own limits for borrowing in call money and notice money markets, within the prescribed prudential limits for inter-bank liabilities.

1. Borrowing in Call and Notice Money Markets by Scheduled Commercial Banks

The extant guidelines on the Call, Notice and Term Money Markets prescribe prudential limits for outstanding borrowing in Call and Notice Money Markets for Scheduled Commercial Banks. With a view to providing greater flexibility for managing the money market borrowings, it has been decided that **Scheduled Commercial Banks (excluding Small Finance Banks)** can set their own limits for borrowing in Call and Notice Money Markets within the prudential limits for inter-bank liabilities prescribed by the Reserve Bank of India. Necessary directions are being issued today.

Participant Category	Prudential Limit
Scheduled Commercial Banks ¹	Call, Notice and Term Money: Internal board approved limits within the prudential limits for inter-bank liabilities prescribed by Department of Regulation.
Small Finance Banks	Call and Notice Money: (i) 100% of capital funds, on a daily average basis in a reporting fortnight, and (ii) 125% of capital funds on any given day.
Payment Banks, and Regional Rural Banks	Call, Notice and Term Money: (i) 100% of capital funds, on a daily average basis in a reporting fortnight, and (ii) 125% of capital funds on any given day.
Co-operative Banks	Call, Notice and Term Money: (i) 2.0% of aggregate deposits as at the end of the previous financial year.
Primary Dealers	Call and Notice Money: (i) 225% of Net Owned Fund (NOF) as at the end of the previous financial year on a daily average basis in a reporting fortnight. Term Money ² : (i) 225% of Net Owned Fund (NOF) as at the end of previous financial

“Call Money” means borrowing or lending in unsecured funds on overnight basis;
“Notice Money” means borrowing or lending in unsecured funds for tenors up to and inclusive of 14 days excluding overnight borrowing or lending;
“Term Money” means borrowing or lending in unsecured funds for periods exceeding 14 days and up to one year.

Prior to the amendment, the prudential limits for Scheduled Commercial Banks (including Small Finance Banks) for Call and Notice Money were 100% of capital funds, on a daily average basis in a reporting fortnight, and (ii) 125% of capital funds on any given day.

EduTap

RBI GRADE B 2023 **2X YOUR GA SCORE**

RBI Grade B 2023 Current Affairs | GA for RBI Grade B | Finance Current Affairs | EduTap Marathon

EduTap - Regulatory Bo... 321K subscribers

Subscribed Like Share Download

22K views Streamed 12 days ago RBI Grade B - Ultra Marathon and Revision Sessions for Phase 1 + Phase 2

Hence **B** is the correct answer.

Q.33) Explanation:

Tiger reserves increased from **9** in 1973 to **53** in present day.

GA **MOUs AND AGREEMENTS** EduTap

413 Recently (April 2023), National Highway Authority of India (NHAI) & Nagarjunasagar-Srisailem Tiger Reserve have signed an MoU. Nagarjunasagar-Srisailem Tiger Reserve is located in which of the following states/UTs?

A. Andhra Pradesh
B. Odisha
C. Chhattisgarh
D. 1 and 2
E. 1, 2 and 3

Answer: Option A

hello@edutap.co.in +91 8146707241

RBI Grade B 2023 Current Affairs | GA for RBI Grade B | General Awareness RBI | EduTap Marathon

ESI **Sustainable Development and Environment** EduTap

Q273. Recently (April 2023), on the commemoration of 50 years of P... the Prime Minister has launched International Big Cat Alliance (IBCA). Which of the following correct statement(s) in this regard.

1. IBCA will focus for conservation of seven big cats.
2. IBCA aims to reach out the 97 countries covering the natural habitat of big cats
3. Nepal is the founding member of IBCA.

A. 1 and 2
B. 1, 2 and 3
C. 2 and 3
D. Only 2
E. Only 3

www.edutap.co.in 5:55:19 / 8:12:22 hello@edutap.co.in +91 8146707241

RBI Grade B 2023 Current Affairs | GA for RBI Grade B | General Awareness RBI | EduTap Marathon

Covered in EduTap Course: CurrentTap Magazine – April 2023

2.7 Project Tiger and Project Elephant

Why in news?

- Recently an information is shared by Minister of State for Environment, Forest and Climate Change regarding the financial assistance to states and UTs for Project Tiger and Project Elephant.

Project Tiger:

- Launch year: 1973 (Launch venue: Jim Corbett National Park in Uttarakhand)
- Initially started with 9 tiger reserves, Now **53 tiger reserves**.
- Nodal Ministry: **Ministry of Environment, Forests and Climate Change**
- Statutory provision: **Wild Life (Protection) Act of 1972**, Under NTCA (National Tiger Conservation Authority)

Project Elephant:

- Launch year: **1992**
- Nodal Ministry: **Ministry of Environment, Forests and Climate Change**.
- Goals:**
 - To safeguard elephants, their habitat, and migration routes
 - To address problems of animal-human conflict

Hence **B** is the correct answer.

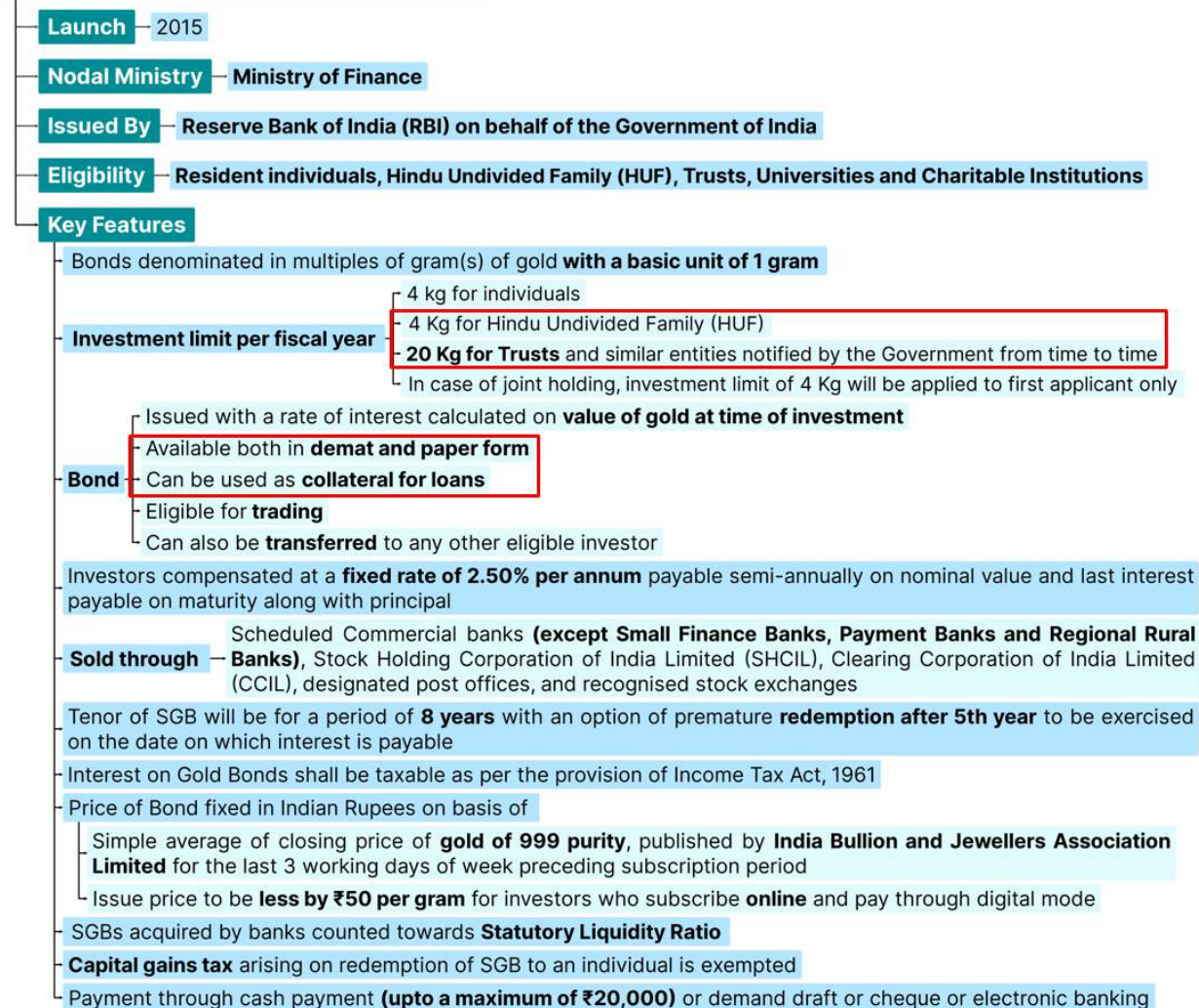
Q.34) Explanation:

The screenshot shows a video lecture interface. At the top, there are tabs for 'ESI' and 'Government Schemes', and the EduTap logo. The main content is a question: 'Q12. Which of the following statements is incorrect with respect to the Sovereign Gold Bond Scheme?'. The word 'incorrect' is circled in red. Below the question are five options: A. These bonds cannot be used as collateral for loans. B. Rate of interest under this scheme is 2.5% per annum. C. Tenure of the bond is 8 years. D. Early encashment/redemption of the bond is allowed after five years. E. Capital gains tax arising on redemption is exempted. Handwritten annotations in red ink include 'Redding' near the question, 'RBI' near option C, and 'Individuals, Joint holder, NRI's, Non-Resident Indians' near option D. The video player controls at the bottom show a timestamp of 23:44 / 8:12:22 and the URL www.edutap.co.in.

RBI Grade B 2023 Current Affairs | GA for RBI Grade B | General Awareness RBI | EduTap Marathon

Covered in EduTap Course: Covered in SchemesTap - June 2023 - First Section

Sovereign Gold Bond (SGB) Scheme



As, the above mentioned points shows that the options **A, B, C and E are correct**. So, the left option (D) will be the answer.

Hence **D** is the correct answer.

Q.35) **Explanation:**

Private lender **Kotak Mahindra Bank** has launched **Kotak fyn**, a unified portal for corporate customers to track their payments, collections, trade and other services related to their bank accounts.

Hence **A** is the correct answer.

Q.36) **Explanation:**

Clearing Corporation of India, National Payments Corporation of India, Scheduled Commercial Banks are the Payment System Operator in India.

Hence **D** is the correct answer.

Q.37) **Explanation:**

Year **2023** marked the **40th anniversary** of a famous **Indian victory** at the Lord's Cricket Ground - a victory where **India beat cricketing giant West Indies** in the final of the World Cup to lift its maiden title, back in 1983. In the final match, the **West Indies were bowled out for 140** runs in 52 overs, falling short of India's total by 43 runs.

Hence **E** is the correct answer.

Q.38) **Explanation:**

The Union Minister of Ports, Shipping & Waterways and Ayush, Shri Sarbananda Sonowal flagged off the maiden International Cruise Vessel "**MV Empress**", India's first international cruise vessel, from Chennai to **Sri Lanka**.

The screenshot shows a video player interface. At the top left, there is a 'GA' tab. At the top right, there is a 'FIRST IN NEWS' tab and the EduTap logo. The main content area displays a question: 'Q339. Recently (June 2023), _____, India's first international cruise has set sail from Chennai to Sri Lanka.' Below the question are five options: A. MV Empress, B. MV Ashoka, C. MV Vijay, D. MV Emperor, and E. MV Royal. A red checkmark is next to option A. At the bottom left of the video frame, a box contains the text 'Answer: Option A'. The video player controls at the bottom show a progress bar at 6:47:05 / 8:12:22, along with various icons for play, volume, and settings.

RBI Grade B 2023 Current Affairs | GA for RBI Grade B | General Awareness RBI | EduTap Marathon

EduTap

Shri Sarbananda Sonowal flags off India's First International Cruise Vessel from Chennai to Sri Lanka



Posted On: 05 JUN 2023 8:29PM by PIB Delhi

- Union Minister of Ports, Shipping & Waterways Shri Sarbananda Sonowal flagged off the maiden International Cruise Vessel - **MV Empress, India's first international cruise vessel** - from **Chennai to Sri Lanka**.
- This marks the beginning of the **international cruise tourism terminal at Chennai**, built at a cost of ₹17.21 crores.
- Cruise service will sail to **three Sri Lankan ports** – Hambantota, Trincomalee, and Kankesanturei.
- The cruise service is the result of an MoU signed between Chennai Port and **Waterways Leisure Tourism Pvt Ltd** to start domestic and international cruise service.



Covered in EduTap Course: CurrentTap Magazine – June 2023

4.	India's First International Cruise Vessel- MV EMPRESS	Launched from: Chennai's International Cruise Terminal	<p>The cruise visited three ports in Sri Lanka viz, Hambantota, Trincomalee, and Kankesanturei.</p> <p>The cruise is an outcome of an agreement signed between Chennai Port and Waterways Leisure Tourism Pvt Ltd during the first Incredible India International Cruise Conference in 2022</p>
		<p>Additional Information: The Government of India intends to build three new international cruise ports by 2024.</p>	

Hence **C** is the correct answer.

Q.39) Explanation:

National CA Day, also referred to **Chartered Accountant Day**, is celebrated on **July 1** every year. The day is dedicated to commemorating the **establishment** of the **Institute of Chartered Accountants of India (ICAI)** in 1949 by an Act of Parliament in India.

Covered in EduTap Course: CurrentTap Magazine – June 2023

S.No	Days	Date	Themes & Misc.
1.	Chartered Accountants' Day	July 1	Empowering Financial Excellence
2.	National Doctors' Day	July 1	Celebrating Resilience and Healing Hands

Hence **B** is the correct answer.

Q.40) Explanation:



TOP 10 MOST VALUABLE INDIAN BRANDS 2023

1 ←



USD\$26.4 bn

2 ←



USD\$13 bn

3 ←



USD\$9.8 bn

4 ↑



USD\$7.5 bn

5 ↓



USD\$7.4 bn

6 ←



USD\$7.3 bn

7 ↑



USD\$7.1 bn

8 ←



USD\$6.9 bn

9 ↓



USD\$6.8 bn

10 ←



USD\$6.5 bn

Brand Finance

Source: Brand Finance India 100 2023

brandirectory.com/india

Hence C is the correct answer.

Q.41) Explanation:

• According to the recently released India Rankings 2023 by NIRF, IIT Madras has topped in the overall category

- Overall category → The Indian Institute of Technology (IIT)-Madras
- University → Indian Institute of Science (IISc), Bengaluru
- College → Miranda House, Delhi
- Management institute → Indian Institute of Management (IIM), Ahmedabad
- Pharmaceutical studies → National Institute of Pharmaceutical Education and Research (NIPER), Hyderabad
- Medical college → The All India Institute of Medical Sciences (AIIMS), Delhi
- Dental college → Saveetha Institute of Medical and Technical Sciences, Chennai
- Law college → National Law School of India University, Bengaluru
- Research Institutions → IISc Bengaluru
- Engineering college → The Indian Institute of Technology (IIT)-Madras
- Architecture and planning → IIT-Roorkee
- Innovation category → IIT-Kanpur
- Agriculture and Allied Sectors → Indian Agricultural Research Institute, New Delhi

RBI Grade B 2023 Current Affairs | GA for RBI Grade B | General Awareness RBI | EduTap Marathon

2. India Rankings 2023

India Rankings 2023

Released by – The National Institutional Ranking Framework (NIRF), under the Union Ministry of Education

8th Edition

1st released in 2016

About the report

Cover 5 Parameters

Sl. No.	Parameter	Marks	Weightage
1	Teaching, Learning & Resources	100	0.30
2	Research and Professional Practice	100	0.30
3	Graduation Outcome	100	0.20
4	Outreach and Inclusivity	100	0.10
5	Perception	100	0.10

Rankings has increased to 13 categories

Newly added are

Innovation

Agriculture & Allied Sectors

Important Rankings

Overall category – The Indian Institute of Technology (IIT)-Madras

University – Indian Institute of Science (IISc), Bengaluru

College – Miranda House, Delhi

Management institute – Indian Institute of Management (IIM), Ahmedabad

Pharmaceutical studies – National Institute of Pharmaceutical Education and Research (NIPER), Hyderabad

Medical college – The All India Institute of Medical Sciences (AIIMS), Delhi

Dental college – Saveetha Institute of Medical and Technical Sciences, Chennai

Top position

Hence **A** is the correct answer.

Q.42) **Explanation:**

The **Indian Ocean Dipole (IOD)** is an **ocean-atmosphere interaction** very **similar** to the **El Nino fluctuations in the Pacific Ocean**, playing out, as the name shows, in the Indian Ocean. It is also a much weaker system than El Nino, and thus has relatively limited impacts.

Hence **A** is the correct answer.

Q.43) **Explanation:**

India's central bank – the Reserve Bank of India (RBI) has launched another interesting Ad campaign with 9XM. Part of the RBI Kehta Hai initiative, the campaign aims at creating awareness among the common man about 'RBI's Ombudsman' facility.

The latest campaign shows **RBI's popular mascot Money Kumar** as a shayar who makes viewers aware about the Bank's services where aggrieved customers can file their complaints against any irregularities or fraudulent transaction in banking sector.

Hence **C** is the correct answer.

Q.44) Explanation:

SIDBI, the principal financial institution for MSMEs in India, has launched **mission EVOLVE** (Electric Vehicle Operations and Lending for Vibrant Ecosystem) in **association with NITI Aayog**, World Bank, Korean-World Bank and Korean Economic Development Cooperation Fund (EDCF) to finance MSMEs in the EV space. The mission aims to finance 50,000 EVs.



RBI Grade B 2023 Current Affairs | GA for RBI Grade B | General Awareness RBI | EduTap Marathon

Covered in EduTap Course: CurrentTap Magazine – June 2023

2.75 SIDBI Launched Mission EVOLVE to finance EVs for MSMEs

Why in news?

- Recently has launched mission **EVOLVE (Electric Vehicle Operations and Lending for Vibrant Ecosystem)**.

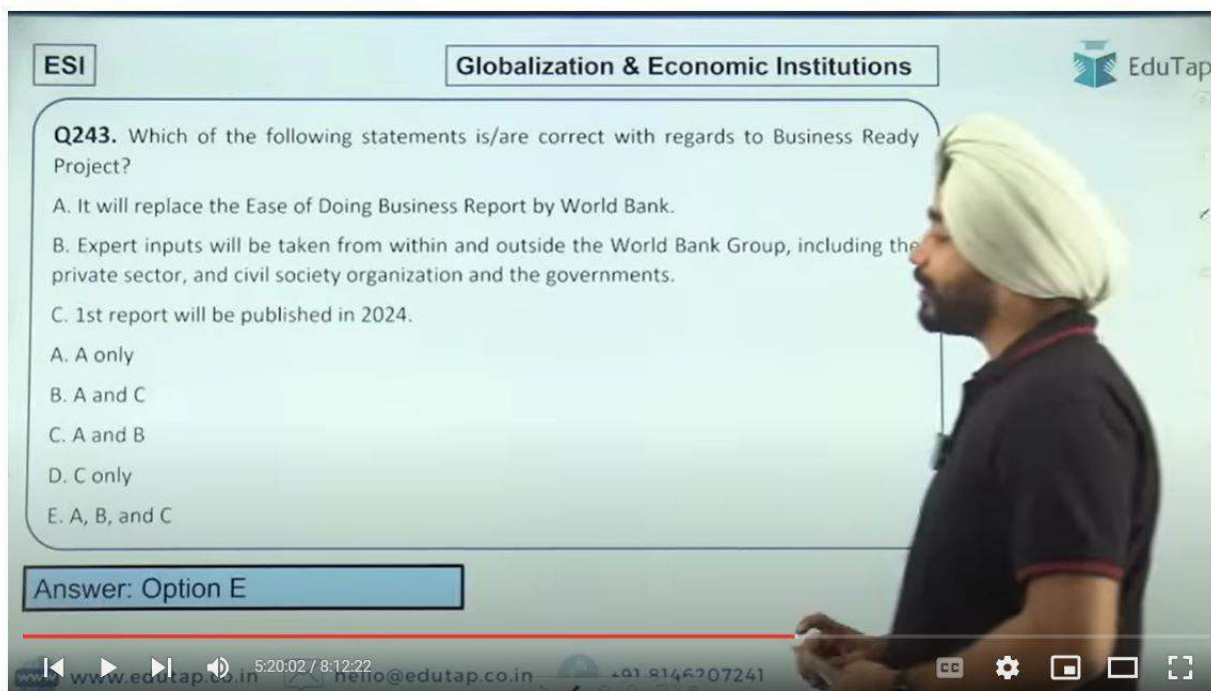
Important information

- **Launched by:** **SIDBI**, in association with **NITI Aayog**, **World Bank**, **Korean-World Bank** and **Korean Economic Development Cooperation Fund (EDCF)**.
- **Purpose:** **finance MSMEs in the EV space.**
- **Features of the mission:**
- SIDBI will give **MSMEs access to affordable commercial financing** for EV loans including hosting of telematics.
- Launched in the **backdrop of SIDBI's aim to support India's target for 30 per cent EV penetration by 2030 or EV30@30.**

Hence **B** is the correct answer.

Q.45) Explanation:

The **World Bank** has announced a **new methodology** for assessing the business climate in up to 180 countries after embarrassing revelations of data irregularities and favoritism toward China forced it to cancel the "Doing Business" rankings two years ago. The bank stated about the new replacement annual series called "**Business Ready**" would be published in the spring of 2024.



The screenshot shows a video player interface. At the top, there are tabs for 'ESI' and 'Globalization & Economic Institutions', and the EduTap logo. The main content is a question: 'Q243. Which of the following statements is/are correct with regards to Business Ready Project?'. Below the question are five options: A. It will replace the Ease of Doing Business Report by World Bank. B. Expert inputs will be taken from within and outside the World Bank Group, including the private sector, and civil society organization and the governments. C. 1st report will be published in 2024. D. A only. E. A, B, and C. At the bottom of the question area, a blue box contains the text 'Answer: Option E'. The video player controls at the bottom show a progress bar at 5:20:02 / 8:12:22, along with various icons for play, volume, and settings.

RBI Grade B 2023 Current Affairs | GA for RBI Grade B | General Awareness RBI | EduTap Marathon

Hence **D** is the correct answer.

Q.46) Explanation:

Target of 20% ethanol blending in petrol is to be achieved by **2025**.

Covered in EduTap Course: CurrentTap Magazine – April 2023

2.37 Ethanol Blending Program

Why in news?

- Recently a reply has been submitted by Minister of State for Environment, Forest and Climate Change regarding updated nationally determined contributions (NDC) for the period 2021-2030.
 - ✓ **India's Vision and approaches** towards reaching **net Zero by 2070**.
 - ✓ It is in accordance with principle of common but **differentiated responsibility and respective capabilities (CBDR-RC)**

Important Information

- Recent Update: target is to achieve **20% blending** of ethanol in petrol by Ethanol supply year (ESY) **2025-26**.

Hence **C** is the correct answer.

Q.47) **Explanation:**

As per recent announcement, around **70 per cent construction work** on the ambitious **India-Myanmar-Thailand Trilateral Highway** has been completed. **India, Thailand and Myanmar** are working on **about 1,400-km-long highway** that would link the country with Southeast Asia by land.

The trilateral highway project was first proposed and approved at a ministerial meeting of India, Myanmar and Thailand in April 2002. The Kolkata-Bangkok highway would strengthen bilateral economic connections and trade. The 2,800-kilometre-long **highway** is a **Bay of Bengal Initiative For Multi-Sectoral Technical & Economic Cooperation (BIMSTEC) project** aimed at boosting multilateral trade.

Hence **A** is the correct answer.

Q.48) **Explanation:**

Covered in EduTap Course: SMART Cities - Covered in SchemesTap- June 2023- 2nd Section

1.32 Smart Cities Mission

What's in News?

- The scheme has completed 8th Anniversary on 25th June 2023.
- Out of 100 cities, around 50 have completed close to 75 per cent of their projects and are on track to complete remaining works by June 2023.
- ₹8000 crore has been allocated for the mission for 2023-24.
- In total, Rs 71,000 crore has been released to the cities, of which Rs 38,000 crore is from the Centre and the remaining from states and urban local bodies.
- Ministry data show that 232 projects on Public Private Partnership (PPP) worth Rs 15,006 crore have been taken up across 53 cities.

Smart Cities Mission

- Launched in: 2015
- Nodal Ministry: Ministry of Housing and Urban Affairs
- Timeline: applicable till June 2024

AMRUT - Covered in SchemeTap - January 2023 - First Section

EduTap

Atal Mission for Rejuvenation and Urban Transformation (AMRUT)

Launch Year - 2015

Nodal Ministry - Ministry of Housing and Urban Affairs

Aim - Provide **basic services to households and build amenities** in **cities** which will improve the quality of life for all, especially the poor and the disadvantaged

Type of Scheme - Centrally Sponsored Scheme

PM-AWAS YOJANA - URBAN - Covered in SchemesTap - April 2023 - First Section

1.6 Pradhan Mantri Awas Yojana – Urban

What's in News?

News-1

- 'Land' and 'Colonization' are State subjects. Schemes related to housing in their respective areas are implemented by States/Union Territories (UTs).
- Under PMAY-U, more than 1.20 crore houses have been sanctioned.

Pradhan Mantri Awas Yojana Urban (PMAY-U)

Launch - 2015

Nodal Ministry - Ministry of Housing and Urban Affairs

Aim - To achieve **housing for all by providing pucca houses with basic amenities by December 2024**

Coverage - All 4041 statutory towns as per Census 2011 with focus on 500 Class I cities

Hence E is the correct answer.

Q.49) Explanation:

According to the Union Budget 2023, Government has decided to continue the 50-year interest free loan to state governments for one more year to spur **Capital investment** and, with a significantly enhanced outlay of Rs 1.3 lakh crore, from **2023-24**.

Covered in EduTap Course: Covered partially in SchemeTap - June 2023 - First Section

EduTap

Special Assistance to States for Capital Investment 2023-24

Launch — 2023 — Announced in Union Budget 2023-24

Nodal Ministry — Ministry of Finance

Objective — To have higher multiplier effect of capital expenditure and to **provide boost to capital spending by States**

Key Features

Special assistance to State Governments in **form of 50-year interest free loan** up to an overall sum of **₹1.3 lakh crore during financial year 2023-24**

Funds for meeting **State share of Jal Jeevan Mission and Pradhan Mantri Gram Sadak Yojana** have also been provided to States under this scheme

Scheme for financial assistance to States for capital investment/expenditure, **first instituted in 2020-21 in wake of COVID-19 Pandemic**

Hence E is the correct answer.

Q.50) Explanation:

Covered in EduTap Course: Covered in SchemeTap - January 2023 - First Section

Mission for Integrated Development of Horticulture (MIDH)

Launch Year — 2014

Nodal Ministry — Ministry of Agriculture and Farmers' Welfare

Aim — **Holistic growth of the horticulture sector** covering fruits, vegetables, root & tuber crops, mushrooms, spices, flowers, aromatic plants, coconut, cashew, cocoa and bamboo

Sub-scheme of — **Green Revolution - Krishonnati Yojana**

Key Features

Centrally Sponsored Scheme

- Sub-schemes/ Missions**
- National Horticulture Mission (NHM)
 - Horticulture Mission for North East and Himalayan States (HMNEH)
 - National Horticulture Board (NHB)
 - Coconut Development Board (CDB)
 - Central Institute of Horticulture (CIH), Nagaland

Financial assistance @ 35% of the project cost in general areas and 50% in case of hilly and scheduled areas per beneficiary is available

For setting up of Post-Harvest Management Infrastructure including cold storage, cold room facilities for horticultural produce

Funding Pattern: 60:40 for Centre & State (90:10 for Himalayan & North Eastern States)

100% in case of NHB, CDB, CIH and National Level Agencies

MIDH provides **technical advice** and **administrative support** to State Governments/State Horticulture Missions (SHMs) for the **Saffron Mission** and other horticulture related activities - RKVY/NMSA

Hence B is the correct answer.

Q.51) Explanation:

According to data collated by the **Department for Promotion of Industry and Internal Trade (DPIIT)**, incentives have been given to **PLI beneficiaries** in **eight of the 14 sectors** — mobile manufacturing, information technology (IT) hardware, pharmaceutical drug, bulk drug, medical device, telecommunications, food product, and drone.

Progress has been **sluggish for the remaining six sectors** — **steel, textile, battery, white goods, solar photovoltaic, and automotive** — and are yet to receive incentives.

Hence **A** is the correct answer.

Q.52) Explanation:

States which are among the top-3 states in terms of highest GST revenues in June 2023-

1. Maharashtra
2. Karnataka
3. Gujarat

Hence **A** is the correct answer.

Q.53) Explanation:

e-way bill is a document required to be carried by a person in charge of the conveyance carrying any consignment of goods of value exceeding **Rs 50,000** as mandated by the Government in terms of section 68 of the Goods and Services Tax Act read with rule 138 of the rules framed thereunder.

Hence **A** is the correct answer.

Q.54) Explanation:

Suriname conferred its highest **civilian honour** to **President Droupadi Murmu- The Grand Order of the Chain of Yellow Star**, the first Indian to receive this award.

EduTap

ESI Globalization & Economic Institutions EduTap

Q260. Recently (2023), Prime Minister of India visited Port Moresby for the 3rd Summit for India-Pacific Islands Cooperation (FIPIC). The FIPIC got its inception in the following country?

A. Kiribati
B. Samoa
C. Palau
D. Vanuatu

It is a multinational grouping for cooperation between India and 14 Pacific Islands nations. Inception: Suva, Fiji in 2014.

Handwritten notes: India Pacific Islands Cooperation, FIPIC, Suva, Fiji in 2014, Vanuatu, Samoa, Kiribati, Palau.

RBI Grade B 2023 Current Affairs | GA for RBI Grade B | General Awareness RBI | EduTap Marathon

Covered in EduTap Course: CurrentTap Magazine – June 2023

1.	First Indian to receive the Grand Order of the Chain of Yellow Star- Droupadi Murmu, President of India	<p>The Grand Order of the Chain of Yellow Star is the highest civilian award of Suriname.</p> <p>The President of India also witnessed the cultural festival on the occasion of the commemoration of 150 years of the arrival of Indians in Suriname in Paramaribo.</p>
----	---	---

Hence **D** is the correct answer.

Q.55) Explanation:

The Union Cabinet chaired by the Prime Minister Shri Narendra Modi, has approved the **constitution and empowerment of an Inter Ministerial Committee (IMC) for facilitation of the “World’s Largest Grain Storage Plan in Cooperative Sector”** by convergence of various schemes of the **Ministry of Agriculture and Farmers Welfare, Ministry of Consumer Affairs, Food and Public Distribution and Ministry of Food Processing Industries.**

From the above we can conclude that **Ministry of Cooperation** does not belong to that group.

Hence **B** is the correct answer.

Q.56) Explanation:

The **Reserve Bank of India** releases a quarterly **house price index (HPI)** based on transaction-level data received from housing registration authorities in **ten major cities**. The cities are **Ahmedabad, Bengaluru, Chennai, Delhi, Jaipur, Kanpur, Kochi, Kolkata, Lucknow, and Mumbai**.

Hence **E** is the correct answer.

Q.57) Explanation:

Social Progress Index (SPI) for States and Districts made by the Institute for Competitiveness and Social Progress Imperative. **SPI** is a **comprehensive tool** that can serve as a holistic measure of a country's social progress at the national and sub-national levels.

The index **assesses states and districts** based on 12 components across **three critical dimensions** of social progress - **Basic Human Needs, Foundations of Wellbeing, and Opportunity**.

Hence **A** is the correct answer.

Q.58) Explanation:

NASA's **Mars Atmosphere and Volatile Evolution (MAVEN) mission** has released some new, mind-blowing images which have left scientists astounded. The images showcase a captivating array of ultraviolet views of the red planet, leaving it bathed in hues of purple.

Hence **C** is the correct answer.

Q.59) Explanation:

The **Basic Statistical Returns (BSR) Code** is a **seven-digit code** that is provided to the registered banks by the RBI. The first three digits in the code identify the bank, while the following four digits identify the bank branch. **India's Basic Statistical Returns (BSR) system** recently completed **50 years** since its inception.

Hence **C** is the correct answer.

Q.60) Explanation:

The **Reserve Bank of India (RBI)** has fixed the **minimum Net Owned Fund (NOF)** size for housing finance companies at **Rs 25 crore**. The housing finance companies (HFCs) holding a Certificate of Registration (CoR) and having an NOF of less than **Rs 25 crore** will be required to achieve NOF of Rs 15 crore by March 31, 2022 and **Rs 25 crore** by March 31, 2023,

Hence **C** is the correct answer.

Q.61) Explanation:

As per **Foreign Trade Policy**, towns that produces goods worth at least **Rs 750 Crore** can be recognized as towns of export excellence, based on their growth potential for exports.

Hence **B** is the correct answer.

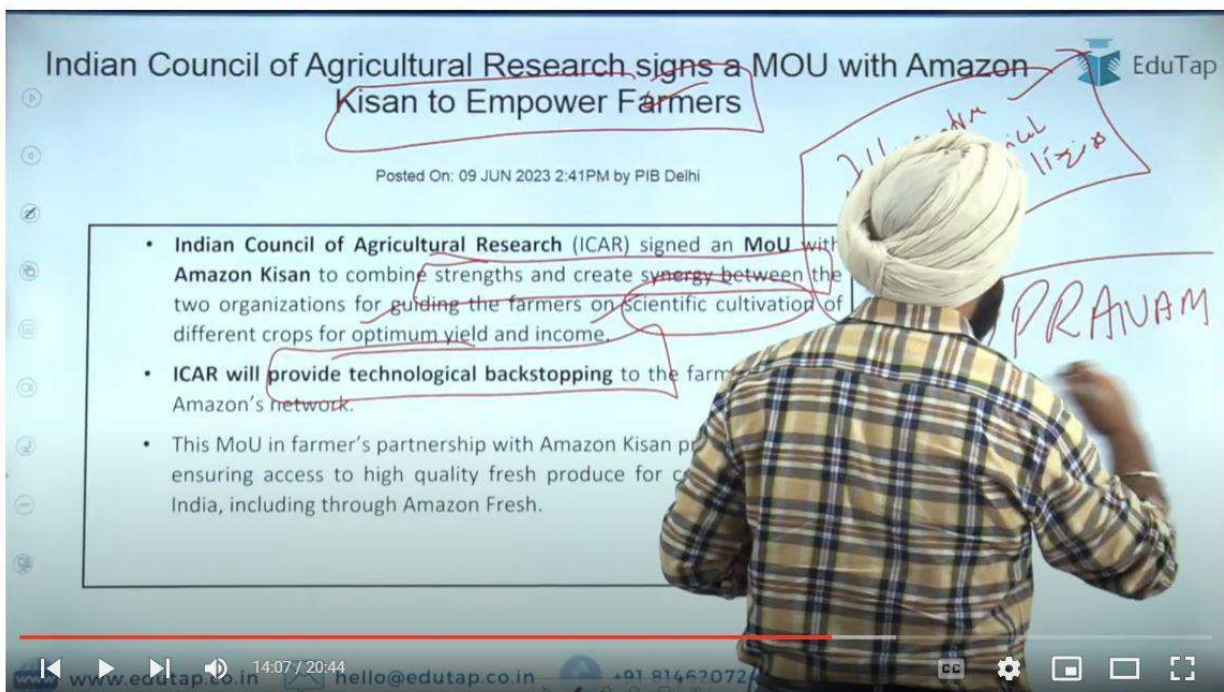
Q.62) Explanation:

NTPC Limited, India's largest power generation company, has climbed 52 positions to secure the 433rd rank in Forbes' "The Global 2000" List for 2023. "The Global 2000" List recognizes the world's largest companies based on four key metrics: **sales, profits, assets and market value**.

Hence **A** is the correct answer.

Q.63) Explanation:

Recently (June 2023), Indian Council of Agricultural Research (**ICAR**), New Delhi has signed a **MoU** with **Amazon Kisan** to combine strengths and create synergy between the two organizations for **guiding the farmers on scientific cultivation of different crops** for optimum yield and income.



PIB Current Affairs MCQs | Important ESI Current Affairs Revision | RBI, SEBI & NABARD Preparation



EduTap - Regulatory Bodies ...
324K subscribers

Analytics Edit video

Share Download Save

Hence **C** is the correct answer.

Q.64) Explanation:

To improve regulatory certainty and uniformity in compliance for listed companies in regards to the identification of specific events as unpublished price sensitive information (UPSI), capital markets regulator SEBI has proposed to modify the current definition of UPSI.

The regulator proposed changing the definition of UPSI as it currently stands and bringing Regulation 30 of LODR (Listing Obligations and Disclosure Requirements) within it in its consultation document.

According to LODR Regulation 30, listed firms must notify stock exchanges as soon as possible and no later than 24 hours after the occurrence of any events or facts that are material. These occurrences included the following:

- any modification to securities, revision to ratings, **initiation of forensic audits**, change in director, and fraud or default by promoters or key managerial people.

From the above, we can conclude that **statement 3 is incorrect**.

Hence **E** is the correct answer.

Q.65) Explanation:

As per data from the **Ministry of Statistics and Programme Implementation** released under **“Twenty Point Programme”**, of the 14 parameters tracked quarterly, the Indian Government achieved a more than **90%** target completion (**“very good”**) in six parameters.

Hence **B** is the correct answer.

Q.66) Explanation:

Table II.2.2: Financial Saving of Household Sector

(Per cent of GNDI)

Item	2011-12	2012-13	2013-14	2014-15	2015-16	2016-17	2017-18	2018-19	2019-20	2020-21	2021-22
1	2	3	4	5	6	7	8	9	10	11	12
A. Gross Financial Saving	10.4	10.5	10.4	9.9	10.7	10.4	11.9	11.8	11.4	15.2	11.0
<i>of which:</i>											
1. Currency	1.2	1.1	0.9	1.0	1.4	-2.1	2.8	1.4	1.4	1.9	1.1
2. Deposits	6.0	6.0	5.8	4.8	4.6	6.3	3.0	4.2	4.3	6.2	3.5
3. Shares and Debentures	0.2	0.2	0.2	0.2	0.2	1.1	1.0	0.9	0.5	0.5	0.9
4. Claims on Government	-0.2	-0.1	0.2	0.0	0.5	0.7	0.9	1.1	1.3	1.3	1.2
5. Insurance Funds	2.2	1.8	1.8	2.4	1.9	2.3	2.0	2.0	1.7	2.8	1.9
6. Provident and Pension Funds	1.1	1.5	1.5	1.5	2.1	2.1	2.1	2.1	2.2	2.4	2.4
B. Financial Liabilities	3.2	3.2	3.1	3.0	2.7	3.0	4.3	4.0	3.8	3.9	3.4
C. Net Financial Saving (A-B)	7.2	7.2	7.2	6.9	7.9	7.3	7.5	7.8	7.6	11.3	7.6

GNDI: Gross National Disposable Income.

Note: Figures may not add up to total due to rounding off.

Source: NSO.

Hence **A** is the correct answer.

Q.67) Explanation:

TRAI in its endeavor to curb menace of spams through **Unsolicited Commercial Communication (UCC)** has taken various measures in recent past. Recently (June 2023), TRAI has now issued a Direction to all the Access Providers to develop and deploy the **Digital Consent Acquisition (DCA)**

facility for creating a unified platform and process to register customers consent digitally across all service providers and Principal Entities.

Hence **A** is the correct answer.

Q.68) Explanation:

Taking forward digitization efforts announced in the **Union Budget 2022-23**, the Reserve Bank introduced its Central Bank Digital Currency (**CBDC**) in phases during the year, with the launch of pilots for **Digital Rupee (e)** in **Wholesale** and **retail segments** on **November 1, 2022**, and **December 1, 2022** respectively.

The screenshot shows a YouTube video player. The video title is "Central Bank Digital Currency (CBDC) | RBI..." with 8.1K views and posted 6 months ago. The channel is "EduTap - Regulatory Bodies Examinations" with 321K subscribers. The video content includes a slide titled "CENTRAL BANK DIGITAL CURRENCY" with the e-₹ symbol and the RBI logo. Another slide titled "Process" explains that the RBI rolled out the CBDC for its closed user group (CUG), comprising its retail customers and merchants. A third slide titled "Finance in News" reports that the RBI launched its first pilot for e-₹ - R. The presenter, Ms. Sravana Bhattacharya, is visible in the bottom right corner of the video frame. The video player interface shows the video is at 1:35:22 / 2:31:45. Below the video, the channel name "EduTap - Regulatory Bo..." is visible along with "Subscribed", "Like", "Share", and "Download" buttons. The video description includes "RBI Grade B 2023 Current Affairs | GA for RBI Grade B | Finance Current Affairs | EduTap Marathon" and "22K views Streamed 12 days ago RBI Grade B - Ultra Marathon and Revision Sessions for Phase 1 + Phase 2".

Covered in EduTap Course: RBI Annual Report 2022-23



The first pilot in the **Digital Rupee** - Wholesale Segment (e`-W) commenced on November 1, 2022. The use case for this pilot is settlement of secondary market transactions in government securities (G-secs). Use of e`-W is expected to make the inter-bank market more efficient. Settlement in central bank money would reduce transaction costs by pre-empting the need for settlement guarantee infrastructure or for collateral to mitigate settlement risk. Nine banks (viz., State Bank of India, Bank of Baroda, Union Bank of India, HDFC Bank, ICICI Bank, Kotak Mahindra Bank, Yes Bank, IDFC First Bank and HSBC) are participating in the pilot.



Hence **E** is the correct answer.

Q.69) Explanation:

As per the recent advance estimates of production of major crops for agricultural year 2022-23 released by the Ministry of Agriculture and Farmers Welfare-

Crop	Production in 2021-22	Third Advance Estimate
Rice	1294.71	1355.42
Wheat	1077.42	1127.43
Jowar	41.51	39.90
Bajra	97.81	111.66
Maize	337.30	359.13

Hence **A** is the correct answer.

Q.70) Explanation:

HDFC Bank has recorded the highest number of new branch additions in the financial year ended on **31st March 2023**.

Hence **D** is the correct answer.

Q.71) Explanation:

Under SEBI (Mutual Funds) Regulations, 1996, Mutual Funds are permitted to charge certain operating expenses for managing a mutual fund scheme. All such costs for running and managing a mutual fund scheme are collectively referred to as 'Total Expense Ratio' (TER). TER is calculated as a percentage of the Scheme's average **Net Asset Value (NAV)**.

Hence **A** is the correct answer.

Q.72) Explanation:

To mark the inauguration of the new Parliament building, **Prime Minister Narendra Modi** released a **commemorative coin of Rs 75 denomination**. As per the Ministry of Finance notification, the latest **Rs 75 coin** is circular in shape with a **diameter of 44mm**. The composition of the coin is of a **quaternary alloy** — 50 per cent **silver**, 40 per cent **copper**, 5 per cent **nickel** and 5 per cent **zinc**.

Hence **D** is the correct answer.

Q.73) Explanation:

Domestic Systemically Important Insurers (D-SIIs) refer to insurers of such size, market importance, and domestic and global interconnectedness, whose distress or failure would cause a significant dislocation in the domestic financial system. Therefore, the continued functioning of D-SIIs is critical for the uninterrupted availability of insurance services to the national economy.

The **criteria used to identify the Domestic 'Systemically Important Insurers** are:

1. Number of Branches
2. Market Share
3. Domestic and global interconnectedness
4. Public Sector

Covered in EduTap Course: CurrentTap Magazine - April 2023

3.19 Domestic Systemically Important Insurers (D-SIIs)

Why in News?

- Recently, the Insurance Regulatory and Development Authority of India (**IRDAI**) has identified Life Insurance Corporation (**LIC**), **New India Assurance**, and General Insurance Corporation (**GIC Re**) as domestic systemically important insurers (**D-SIIs**) for 2022-23.

About D-SIIs

- D-SIIs refer to insurers of such size, market importance, and domestic and global interconnectedness, whose distress or failure would cause a significant disturbance in the domestic financial system.
- D-SIIs are perceived as **insurers that are 'too big or too important to fail'** (TBTF).

Hence **E** is the correct answer.

Q.74) Explanation:

Recently, the Prime Minister of India attended the 3rd summit of 3rd Summit of the Forum for India-Pacific Islands Cooperation (**FIPIC**) held in **Papua New Guinea**.

ESI Globalization & Economic Institutions EduTap

Q260. Recently (May 2023), Prime Minister of India visited Port Moresby for the 3rd Summit of the Forum for India-Pacific Islands Cooperation (FIPIC). FIPIC got inception in which of the following country?

A. Kiribati
B. Samoa
C. Palau
D. Fiji
E. Papua New Guinea

- It is a multinational grouping for cooperation between India and Pacific Islands nations.
- Inception: Suva, Fiji in 2014.

Answer: Option D

5:40:53 / 8:12:22 hello@edutap.co.in

RBI Grade B 2023 Current Affairs | GA for RBI Grade B | General Awareness RBI | EduTap Marathon

Covered in EduTap Course: CurrentTap Magazine – May 2023

2.46 3rd Summit of the Forum for India-Pacific Islands Cooperation (FIPIC)

Why in news?

- Recently Prime Minister visited Port Moresby for the 3rd Summit of the Forum for India-Pacific Islands Cooperation (FIPIC)
 - **Venue: Port Moresby, Papua New Guinea**

Additional information

- Forum for India-Pacific Islands cooperation (FIPIC)
- It is a **multinational grouping** for cooperation between **India and 14 Pacific Islands nations**.
- Inception: **Suva, Fiji in 2014**.

Hence **B** is the correct answer.

Q.75) Explanation:

Recently, Indian security forces have been trained in **Israel's "Krav Maga"** to counter China's People Liberation Army (PLA) during patrolling along the Line of Actual Control (**LAC**).

Hence **C** is the correct answer.

Q.76) Explanation:

The Centre has revised the threshold for GST e-invoicing, and has announced that it will be mandatory for all businesses with annual turnover of over **Rs 5 crore** to move to e-invoicing for business to business transaction under goods and services tax (GST) from **Rs 10 Crore**.

Covered in EduTap Course: CurrentTap Magazine – May 2023

2.98 Revised Threshold for GST e-invoicing

Why in News?

- Recently, the **Union Ministry of Finance** has **lowered the threshold** for **Goods & Services Tax (GST) e-invoicing**.
- **Businesses with turnover of over Rs 5 crore** must **generate electronic or e-invoice** for **B2B** (Business to Business) **transactions** with effect from **August 1, 2023**.
- The present threshold was **Rs 10 crore**.

About e-invoice

- It is a system in which B2B invoices are authenticated electronically by GSTN (GST Network) for further use on the common GST portal.

Hence C is the correct answer.

Q.77) Explanation:

According to the Union Budget 2023-24, the highest surcharge rate in personal income tax has been reduced from 37% to **25%** in the new tax regime for income above ₹2 crore.

Covered in EduTap Course: Union Budget 2023-24 Document



New Developments	
<ul style="list-style-type: none">• Rebate limit of Personal Income Tax increased to Rs. 7 lakhs from Rs. 5 lakhs in new tax regime• A person earning Rs. 9 lakh a year will now be paying just Rs. 45,000 instead of Rs. 60,000 currently. Similarly, a person earning Rs. 15 lakh will now pay only 10% of this as tax.• Reduction in surcharge rate from 37% to 25% in the new tax regime for income above ₹2 crore.<ul style="list-style-type: none">○ This would result in maximum tax rate of personal income tax come down to 39% which was earlier 42.74%• The benefit of standard deduction has been extended to the salaried class and the pensioners including family pensioner under the new tax regime. As per proposal-<ul style="list-style-type: none">○ Salaried individual will get standard deduction of ₹ 50,000○ Pensioner will get standard deduction of ₹ 15,000• The limit of Rs. 3 lakh for tax exemption on leave encashment on government salaried employees (set in 2002) has been raised to Rs. 25 lakh.	

Hence D is the correct answer.

Q.78) Explanation:

Novak Djokovic courted **controversy** when he wrote “Kosovo is the heart of Serbia, depicting the ethnic tensions flared in the Balkan nation.

Hence C is the correct answer.

Q.79) Explanation:

Government of India through Indian Strategic Petroleum Reserve Ltd. (ISPRL) under Phase –1 has setup Strategic Petroleum Reserves (SPR) at three locations namely Vishakhapatnam, Mangalore and **Padur**.

Hence **B** is the correct answer.

Q.80) Explanation:

Covered in EduTap Course: SchemesTap- June 2023 - First Section

Pradhan Mantri Kisan Urja Suraksha evam Utthaan Mahabhiyaan (KUSUM) Scheme

Launch	2019
Nodal Ministry	Ministry of New & Renewable Energy
Central Financial Support	Rs. 34,422 Crore
Tenure	Till 2026
Objective	<ul style="list-style-type: none">De-dieselisation of the farm sectorProviding water and energy security to farmersIncreasing the income of farmersCurbing environmental pollution
Target	<ul style="list-style-type: none">Solar capacity addition of 30.8 GWInstallation or solarisation of 35 lakh pumps

Components

Component A: 10,000 MW of Decentralized Ground Mounted Grid Connected Renewable Power Plants of individual plant size up to **2 MW**

- Solar or other renewable energy-based power plants of capacity **500 kW to 2 MW**
 - ↳ Should be within 5 km from nearest electricity sub-station
 - ↳ Can be **set-up** by **individual farmers/ cooperatives / panchayats / Farmer Producer Organisations (FPO) / Water User Associations (WUAs)** on barren/ fallow/marshy/ pasture or cultivable lands
- Projects **smaller than 500 kW may be allowed** by States based on techno-commercial feasibility
- Farmers can either install renewable power project on their land or lease the land
- RBI has included this Component under **priority sector lending**

Component B: Installation of **20 lakh** standalone solar powered agricultural pumps

- Can **replace** their existing **diesel pumps** with solar pumps
- **Eligibility** - Individual farmers, group of farmers, cluster irrigation systems, WUAs, FPOs, and Primary Agriculture Credit Societies (PACS)(same for Component-C)
- Priority to be given to small and marginal farmers, farmers using micro irrigation systems or covered under micro irrigation schemes
- **Financial Assistance for General Area** - Central : State : Farmer :: 30:30:40
 - ↳ Bank finance up to 30% out of 40% share can be availed by farmer
- Central Financial Assistance (CFA) available for pump capacity up to **15 HP (increased from 7.5 HP) to**
 - ↳ Individual farmers in the **North-eastern States, UTs of Jammu & Kashmir and Ladakh, States of Uttarakhand and Himachal Pradesh and Island UTs of Andaman & Nicobar and Lakshadweep**
 - ↳ For each farmer in cluster/ community irrigation projects in high water table areas in all the States/ UTs
- For solar pumps to be set up and used by Water User Associations (WUA), Farmer Producer Organisations (FPO), Primary Agriculture Credit Societies (PACS) and cluster-based irrigation systems
 - ↳ CFA is allowed for solar pump capacity higher than 7.5 HP, considering up to 5 HP capacity for each individual farmer in the group/ association

Component C: Solarisation of existing **15 Lakh Grid-connected Agriculture Pumps (Solarisation of agriculture feeders)**

- **Subsidy**
 - ↳ **For General Area** - Central : State : Farmer :: 30:30:40
 - ↳ **For North-eastern States, Himachal Pradesh, Uttarakhand, Jammu and Kashmir/Ladakh and Island UTs** - Central : State : Farmer :: 50:30:20

Hence E is the correct answer.

EduTap

RBI Grade B 2023 - Recollected Questions

Section – Reasoning

Directions (Q81- 82): In each of the questions below are given some statements followed by five conclusions. You have to take the given statements to be true even if they seem to be at variance with commonly known facts. Read all the conclusions and then decide which of the given conclusions logically does not follow from the given statements, disregarding commonly known facts.

Q.81) Only a few bananas are oranges. No banana is mango. No grapes are oranges.

Conclusions:

- [1] Some grapes can be mangoes
- [2] All bananas can be oranges
- [3] Some mangoes are not bananas
- [4] Some grapes are bananas is a possibility
- [5] Some oranges can be mangoes

Q.82) Some actors are dancers. Only a few dancers are singers. No singer is politician

Conclusions:

- [1] Some politician being actors is a possibility
- [2] Some dancers are not singers
- [3] Some dancers are not politicians is not a possibility
- [4] Some actors are singers
- [5] Some actors are singers is a possibility

Directions (Q83-87): Answer the questions based on the information given below:

Nine friends A, B, C, D, E, F, G, H and I were born on 18th of different months in the same year such that no one was born in March, June and November. These persons belong to different places among Solapur, Kanpur, Jaipur, Raipur, Jodhpur, Sultanpur, Udaipur, Nagpur and Firozpur.

B was born in a month with 31 days and three months before the person from Raipur. Three persons were born between B and D, who is not the youngest. The person from Nagpur was born immediately after the one from Kanpur. The person from Kanpur was not born in a month with only 30 days. G is not from Sultanpur.

There is a gap of only one month between the birth of G and the one from Solapur. The person from Jaipur is five months elder than G. F was born two months after D. Only one person was born between F and E, who is from Solapur. H, who is from Udaipur, was born three months after I, who is not the eldest. A is younger than C. Person from Jodhpur was born before the one from Sultanpur.

Q.83) A is how many months older than H?

- [1] Five

- [2] Four
- [3] Six
- [4] Seven
- [5] Eight

Q.84) Who among the following persons were born between C and the one from Udaipur?

- I. Person from Jaipur
- II. D
- III. B

- [1] Both II and III
- [2] All I, II and III
- [3] Both I and II
- [4] Both I and III
- [5] Only II

Q.85) The eldest person belongs to which place?

- [1] Raipur
- [2] Jodhpur
- [3] Sultanpur
- [4] Kanpur
- [5] Firozpur

Q.86) ___ persons were born between the person who is born in October and the one from ____.

- [1] Five, Nagpur
- [2] Four, Jaipur
- [3] Three, Raipur
- [4] Six, Solapur
- [5] None of these

Q.87) 3rd eldest person is ___ months older than ____.

- [1] Three, D
- [2] Five, H

[3] Seven, G

[4] Four, F

[5] Six, B

Directions (Q88-89): Study the following information to answer the given questions.

@ F 5 2 M \$ 7 K T R 3 C + 8 B ! 9 D Q * G 6 W N

STEP 1 – Those numbers which are immediately preceded by a symbol and immediately followed by an alphabet are written at the right end in descending order.

STEP 2 – After completing step 1, the alphabet which is immediately followed by a symbol are written between 7th and 6th element from right end in alphabetical order from left to right.

Q.88) Which of the following element is 11th to the right of the element which is 4th from the right end in step 1?

[1] *

[2] Q

[3] G

[4] B

[5] 9

Q.89) How many alphabets are immediately followed or preceded by symbol in step 2?

[1] Four

[2] Two

[3] Five

[4] None

[5] Three

Directions (Q90-94): Answer the questions based on the information given below:

Nine boxes A, B, C, D, E, F, G, H and I are kept one above the other. Each box contains different items among Clothes, Bottles, Books, Watches, Combs, Pens, Mobiles, Shoes & Pencils. Number of items in these boxes is different among 7, 12, 14, 18, 21, 23, 24, 30 and 27. The bottommost box is numbered 1 and the topmost box is numbered 9.

Mobiles are kept in box 4. H is three boxes above the box with 24 items. G has 14 items and is one of the four boxes above H. Third box from the top contains 2nd highest number of items. There are three boxes between G and the box with 18 items. Number of bottles is six more than number of clothes. D is immediately below the box which contains clothes and neither of these boxes contains more than 23 items. There are three boxes between the box, which contains bottles and E, which contains books.

Shoes are three boxes above B. A is immediately above F. Box, which contains Pens, is immediately above I. C is three boxes above the box, which contains the lowest number of items. Box with 23 items is immediately below the box, which contains watches. Number of pencils is less than number of combs. Number of Books is not less than number of shoes.

Q.90) C is how many boxes above the box which contains 21 items?

- [1] Four
- [2] Five
- [3] Two
- [4] Six
- [5] Three

Q.91) What is the sum of number of combs and pencils?

- [1] 37
- [2] 35
- [3] 41
- [4] 30
- [5] 28

Q.92) Which among the following box is not between the box containing the lowest and highest number of items?

- I. D
- II. A
- III. Box containing 14 items.

- [1] Both I and II
- [2] Only I
- [3] Both II and III
- [4] Only III
- [5] Only II

Q.93) What is the difference between the number of items in the topmost box and the number of watches?

- [1] 10
- [2] 14

[3] 16

[4] 12

[5] 18

Q.94) Which among the following boxes are kept between the box with 21 items and box containing Pens?

[1] B

[2] C

[3] D

[4] E

[5] H

Directions (Q95-99): Answer the questions based on the information given below.

Fourteen persons are sitting in two parallel rows containing seven persons in each row in such a way that there is an equal distance between adjacent persons. Initially, in row 1, P, Q, R, S, T, U and V are seated and all of them are facing towards the east and in row 2, A, B, C, D, E, F and G are seated and all of them are facing towards the west. Therefore, in the given seating arrangement each person sitting in row 1, is facing the persons sitting in row 2 and vice versa. They play a game of throwing a dice. They interchange their initial position according to the game rules which are as follows:

I. On throwing the dice, if odd number comes, then the person sitting 2nd to the left of thrower exchanges his seat with the person sitting opposite to the one, who sits immediate right of thrower.

II. On throwing the dice, if even number comes, then the person sitting immediate right of the thrower exchanges his seat with one, who sits opposite to the thrower.

Before Movement:

1. T sits fourth to the left of P. Either T or P sits at an extreme end of the row.
2. The one who faces P sits second to the left of F.
3. S sits exactly in the middle of the row. C and D are immediate neighbors of each other.
4. Number of persons sitting to the left of F is twice the number of persons sitting to the right of F.
5. The one, who faces P sits to the immediate left of G and that person is neither C nor D.
6. Number of persons sit between P and R is same as the number of persons sit between T and S.
7. T neither faces C nor D. No one sits between S and V.
8. At least two persons sit between G and E. R does not face B.
9. At most one person sit between S and Q.
10. U faces neither E nor C.

11. A throws the dice and gets 4 after that F throws the dice and gets 3 and finally, V throws the dice and gets 1.

Q.95) Who sits opposite to R after the movement?

[1] D

[2] A

[3] G

[4] F

[5] C

Q.96) Who sits 2nd to the right of G before the movement?

[1] A

[2] C

[3] F

[4] B

[5] D

Q.97) What is the position of T with respect to V after the movement?

[1] facing the one, who sits 2nd to the right of V

[2] 2nd to the right of V

[3] 2nd to the left of V

[4] facing the one, who sits immediate right of V

[5] immediate left

Q.98) How many persons sit between A and F before the movement?

[1] One

[2] Two

[3] Three

[4] More than three

[5] None

Q.99) Which of the following statement is true about B?

[1] B sits immediate right of T after the movement

- [2] B sits 4th to the left of Q after the movement
- [3] B sits 4th to the right of A before the movement
- [4] B sits opposite to V before the movement
- [5] None

Directions (Q100-101): In the following question, two conclusions have been given followed by five sets of possible statements. You have to take the given conclusions to be true even if they seem to be at variance with the commonly known facts and then decide for the given conclusions logically follow from which of the given set of statements disregarding commonly known facts.

Q.100) Conclusions:

1. Some gold are not silver.
2. Some gold are fabric.

Statements:

- [1] All silver are fabric. No fabric is gold. Some gold are metal.
- [2] Some silver are fabric. Some fabrics are gold. All gold are metal.
- [3] No silver is fabric. All fabric are gold. Some gold are metal.
- [4] All silver are fabric. Some fabric are metal. Some gold are metal.
- [5] All fabric are silver. All silver are gold. All gold are metal.

Q.101) Conclusions:

1. Some hospitals are buildings is a possibility.
2. Some hostels are not houses.

Statements:

- [1] All buildings are schools. All schools are hostels. No school is house. No hospital is hostel.
- [2] Some buildings are schools. All Schools are hostels. No hospital is house. Some schools are houses.
- [3] All buildings are schools. All schools are hostels. No school is house. All hospitals are hostels.
- [4] Some buildings are schools. No school is hostel. No hostel is hospital. Some hospitals are houses.
- [5] None of these.

Q.102) Direction: In which of the following expressions $V > Z$, $K < Y$ is definitely true?

- [1] $X \Rightarrow W > K \Rightarrow Z < Y \Leftarrow U < V$
- [2] $W \Leftarrow T < V > G \Rightarrow I \Rightarrow Y > Z < K$

[3] $T \Rightarrow C < V \Rightarrow A = Q \Rightarrow Z > Y > D > K$

[4] $D \Rightarrow E = G > V = F > K > Z < K < Q \Leftarrow Y$

[5] $A \Rightarrow I \Rightarrow H = L < Z > K > V < J < Y$

Q.103) Direction: In which of the following expression does the expression $M \Rightarrow R$ is definitely true

[1] $X < R \Rightarrow T \Rightarrow P < N > B \Rightarrow M > U$

[2] $N > M > L = C \Rightarrow A = D > S = R$

[3] $L \Leftarrow B > M > X \Rightarrow U \Leftarrow A = O < R$

[4] $T > M = F \Rightarrow G = U \Rightarrow O \Leftarrow R = S$

[5] $A > R \Leftarrow B = L = P \Leftarrow S = M < G$

Q.104) The question given below consists of two statements numbered I and II given below it. You have to decide whether the data provided in the statements are sufficient to answer the question. Read all the statements and give an answer.

Seven persons A, B, C, D, E, F and G are sitting around a circular table having eight seats such that one of the seats is vacant. The vacant seat is to the immediate left of A's seat. All are facing towards the centre. How many people sit between G and F, when counted from the right of F?

Statement I: F sits second to the right of A and to the immediate left of D. One person sits between D and G. B sits opposite to G. C and D are not sitting adjacent to each other.

Statement II: D sits third to right of A. B sits on the third seat to the left of A. One person sits between E and F but neither E nor F sits adjacent to A. E and F are not adjacent to vacant seat.

[1] The data in statement I alone are sufficient to answer the question, while the data in statement II alone are not sufficient to answer the question

[2] The data in statement II alone are sufficient to answer the question, while the data in statement I alone are not sufficient to answer the question

[3] The data either in statement I alone or in statement II alone are sufficient to answer the question

[4] The data given in both statements I and II together are not sufficient to answer the question

[5] The data in both statements I and II together are necessary to answer the question

Q.105) The question given below can be answered using sentence given in only one of the options. Find out the option which can be used to answer the question.

Eight persons A, B, C, D, E, F, G and H are sitting around a square table such that four persons are sitting in the corner of the table and four are sitting in the middle of the table. Also, the one, who sits at the corner of the table faces away from the center and the one, who sits in the middle of the table faces towards the table.

Who sits second to the right of C?

[1] Only two persons sit between C and B when counted from the right of B. A is an immediate neighbor of C and faces towards the center. E sits second to the right of A. B is second to the right of E.

[2] C is an immediate neighbor of A. Person, who is immediate left of C, is sitting opposite to G. E and F are immediate neighbors of each other. F is sitting at the corner of the table.

[3] A sits second to the right of E, who sits in the middle of the table. C is an immediate neighbor of A. D sits second to the left of C. H is an immediate neighbor of D. G sits one of the corners. B sits second to the right of A

[4] Only two persons sit between H and G, when counted from the left of H, who is an immediate neighbor of D, who sits second to the left of C, who sits immediate right of E, who sits in the middle of the table.

[5] None of the above

Q.106) The question given below consists of two statements I and II given below it. You have to decide whether the data provided in the statements are sufficient to answer the question. Read all the statements and give answer.

Six persons, Anu, Bill, Chand, Dia, Ema and Faiz, sit along the corners of a regular hexagonal table and face towards the centre of the table. Who among the following sits immediate left of Faiz?

Statement I: Bill sits second to the right of Anu. Chand sits adjacent to Bill. Dia sits second to the right of Chand. Ema does not sit adjacent to Anu.

Statement II: Ema sits adjacent to Dia. Chand sits adjacent to Bill. Dia sits second to the right of Chand. Faiz sits adjacent to Bill. Ana does not sit adjacent to Chand.

[1] Data in statement I alone is sufficient to answer the question, while data in statement II alone is not sufficient to answer the question.

[2] Data in statement II alone is sufficient to answer the question, while data in statement I alone is not sufficient to answer the question.

[3] Data either in statement I alone or in statement II alone is sufficient to answer the question.

[4] Data given in both the statement I and II together are not sufficient to answer the question.

[5] Data in statement I and II together are necessary to answer the question.

Q.107) The question given below consists of two statements I and II given below it. You have to decide whether the data provided in the statements are sufficient to answer the question. Read all the statements and give answer.

Seven points, T, U, V, W, X, Y and Z are drawn on a rectangular piece of paper. What is the direction of point W with respect to point U?

Statement I: Y is 3cm to the west of T. V is 6cm to the east of Y. U is 3cm to the south of T. W is 9cm to the east of Z. X is 6cm to the west of W. V is 5cm to the south of X.

Statement II: Z is 6cm to the north of U. X is 3cm east of Z. V is 5cm south of X. Y is 6cm west of V. T is the midpoint of Y and V. W, which is in east of X, is 13cm to the northeast of Y.

[1] Data in statement I alone is sufficient to answer the question, while data in statement II alone is not sufficient to answer the question.

[2] Data in statement II alone is sufficient to answer the question, while data in statement I alone is not sufficient to answer the question.

[3] Data either in statement I alone or in statement II alone is sufficient to answer the question.

[4] Data given in both the statement I and II together are not sufficient to answer the question.

[5] Data in statement I and II together are necessary to answer the question.

Directions (Q108-112): Answer the questions based on the information given below.

P, Q, R are three adjacent buildings. P is to the west of Q. Q is to the west of R. Each building has different number of floors with the lowest floor numbered as 1, floor above it numbered 2 and so on. The height of floors in each building is the same i.e. the same numbered floors are at equal height from the ground. Only few of the floors of these buildings are taken and rest are vacant. None of the buildings had more than 10 floors.

- D's floor number was twice as that of J's floor number.
- J lived in building Q. Q had prime numbered floors and J lived on the floor that was 3rd from the top
- Not more than 3 flats were taken in building P
- F was exactly to the east of B
- B lived exactly above C but not in the same building
- C and F did not live in the same building
- A's floor number was thrice as that of C's floor number.
- A was exactly to the west of H
- H was not in building R
- C and G did not live in the same building
- G lived immediately below E
- B and E lived on consecutive floors of the same building
- I was exactly to the east of C
- I and E did not live in the same building
- B and G did not have the same floor number
- The number of floors in I's building was 3 less than that in building Q

1. Only one person lives on each floor

2. Exactly to the east or west does not mean immediate east or west, but on the same floor.

3. Immediately above or below implies that the person is not in the same building.

Q.108) How many floors were there in building P?

[1] 6

[2] 8

[3] 5

[4] 10

[5] 9

Q.109) What was the floor number of F?

[1] 4

[2] 2

[3] 3

[4] 5

[5] 6

Q.110) Four of the following bears a similar relation and hence form a group, who among the following is not a part of that group?

[1] B

[2] H

[3] E

[4] A

[5] J

Q.111) What was the difference between the number of floors in building Q and P?

[1] 5

[2] 2

[3] 1

[4] 4

[5] 3

Q.112) What was the difference between the floor numbers of H and F?

[1] 1

[2] 2

[3] 3

[4] 4

[5] 5

Direction (Q113-117): Study the following information carefully and answer the given questions.

A word arrangement machine given an input line of words rearranges them following a particular rule in each step. The following is an illustration of input and rearrangement.

Input: random optimistic thrifty afraid predictable extravagant pompous humble brave pessimistic

Step1: afraid random optimistic thrifty predictable extravagant pompous humble pessimistic brave.

Step2: extravagant afraid random optimistic predictable pompous humble pessimistic brave thrifty.

Step3: humble extravagant afraid random optimistic predictable pessimistic brave thrifty pompous.

Step4: optimistic humble extravagant afraid random predictable brave thrifty pompous pessimistic.

Step5: predictable optimistic humble extravagant afraid brave thrifty pompous pessimistic random.

Step5 is the last step of the above input.

Input: jeopardize entrust safeguard withdraw anxiety lengthen secular abridge spiritual ease.

Q113) What will be the fourth step of the above input?

[1] jeopardize entrust abridge anxiety secular spiritual lengthen ease withdraw safeguard.

[2] jeopardize entrust anxiety abridge secular spiritual lengthen brave withdraw safeguard.

[3] jeopardize entrust anxiety abridge secular lengthen spiritual ease withdraw safeguard.

[4] jeopardize entrust anxiety abridge secular spiritual lengthen ease withdraw safeguard.

[5] jeopardize entrust anxiety afraid secular spiritual lengthen withdraw ease safeguard.

Q114) In step 5th of the rearrangement, if 'anxiety' is related to 'entrust' and 'abridge' in a certain way. Which of the following would 'withdraw' be related to, following the same pattern?

[1] Lengthen and ease

[2] Ease and entrust

[3] Ease and safeguard

[4] Lengthen and safeguard

[5] None of these

Q115) Which of the following steps will be the last but one of the above input?

[1] IV

[2] V

[3] II

[4] III

[5] None of these

Q116) Which of the following word is 4th to left of withdraw in step2

[1] Ease

[2] Jeopradize

[3] Anxiety

[4] Entrust

[5] Abridge

Q117) What is the position of secular from right end in last but one step?

[1] Fifth

[2] Seventh

[3] Fourth

[4] Sixth

[5] Third

Directions (Q118-124): Answer the questions based on the information given below:

There are 3 horizontally parallel rows, row 1, row 2 and row 3. Row 1 is to the north of row 2 and row 2 is to the north of row 3. There are five persons sitting in each row and L is one of the persons among them. In row 1, first three persons sitting from left to right are facing north and rest are facing south. In row 3, first three persons sitting from left to right are facing north and rest are facing south. In row 2, first two persons sitting from left to right are facing north and rest are facing south. Last two persons from left end of row 1 face the first two persons from the left end of row 2. Last three persons from left end of row 2 face first three persons from left end of row 3.

F, who is sitting 2nd to the right of Q, is sitting opposite to A. Three persons are sitting between A and M. F is facing south. G is sitting 2nd to the right of C and both of them are facing the north. E is sitting in the left of G. One person is sitting between E and N. B is sitting to the immediate left of D, who is sitting opposite to O, who is not sitting adjacent to A. S and P are sitting opposite to each other. Neither S nor P is sitting in row 1. R is not sitting adjacent to M.

Q.118) Find the odd one out?

[1] C

[2] O

[3] N

[4] F

[5] Q

Q.119) How many persons are sitting in the left of S?

- [1] 3
- [2] 1
- [3] 4
- [4] 2
- [5] None of these

Q.120) How many persons are sitting between Q and D?

- [1] 2
- [2] 3
- [3] 1
- [4] 4
- [5] None of these

Q.121) _____ is sitting opposite to B.

- [1] D
- [2] N
- [3] F
- [4] Q
- [5] None of these

Q.122) _____ is sitting in the middle of row 3.

- [1] D
- [2] G
- [3] R
- [4] Either (1) or (2)
- [5] None of these

Q.123) In the question given below, a passage/statement is given followed by three statements which may or may not strengthen/weaken the assertion made in the passage. Answer the questions as per the individual direction given.

It's highly probable that 50 years from now, it is likely that the 2D internet we now all use will seem laughably archaic. Not only will the internet likely exist behind a screen, but it is probable that we will interact with it differently. We'll manipulate objects using augmented reality (AR),

explore virtual-reality (VR) worlds, and meld the real and the digital in ways we can currently not imagine.

Which of the following, if true, would strengthen the argument made in the above passage?

I. Truly immersive computing and augmented reality, at scale and accessible by billions of humans in real time, will require a 1,000-times increase in computational efficiency from today's state of the art.

II. Precipitated by the pandemic, we are transitioning away from the nine-to-five commute and turning our backs on the traditional office setting, enabled by a newfound love of virtual meetings.

III. One company not only let you see how its sunglasses look like on your face, it is also working on using augmented reality to virtually show you how the world will look like through different lenses.

[1] Only I and III

[2] Only II and III

[3] Only III

[4] Only I and II

[5] All I, II and III

Q.124) In the question below, a situation is given, followed by statements that may or may not be possible reasons for the situation. Select the option that best describes the reason for the situation in the question.

Situation: Drugs giant Pfizer has said it expects \$15bn (\leq 11bn) of sales this year of the coronavirus vaccine it developed with German firm BioNTech. The vaccine was one of the first to be authorised for use by countries including the UK and the US.

I. In England, around 28 million eligible individuals are yet to be vaccinated - around two-thirds of the population

II. Many countries around the world have been scrambling to vaccinate their populations in a bid to save lives and aid economic recovery.

III. Within age groups, the NHS is trying to ensure that all people, regardless of deprivation, geography, or ethnicity, have equal uptake of the vaccine.

[1] Only I

[2] Only II and III

[3] Only I and II

[4] Only III

[5] All I, II and III

Q.125) In the question below, a situation is given, followed by statements that may or may not be possible reasons for the situation. Select the option that best describes the reason for the situation in the question.

Situation: The American Academy of Pediatrics, the American Academy of Child and Adolescent Psychiatry, and the Children's Hospital Association declared a national emergency in child and adolescent mental health in the fall of 2021. This may be a contributing factor to the increase in school shooting incidents across the US.

I. During the past two decades more than 85% of school shootings in the US have been committed by people younger than 25, and the majority by children under 18

II. According to National Alliance of Mental Illness, nearly 20% of high school students have seriously contemplated suicide, and 9% have attempted suicide.

III. While in the past it was easier for adolescents to talk to a trusted adult in their extended family during turbulent times as it was common for three generations of a family to live nearby, it has become rare these days with the prevalence of nuclear families.

[1] Only I and II

[2] Only III

[3] Only II and III

[4] Only I and III

[5] All I, II and III

Q126) What may be the code for "Mentioned"?

[1] 9k*

[2] 9m*

[3] 8k*

[4] 6l?

[5] 9m#

Q127) What is the code for "Parenting"?

[1] 7g?

[2] 7r*

[3] 9g?

[4] 7g\$

[5] None of these

Q128) Code '2x!' is for which of the following words?

[1] Chronical

[2] Dormant

[3] Cool

[4] Calibri

[5] Charisma

Q129) How the word "Vikram" coded as?

- [1] 3n*
- [2] 9n(
- [3] 13m?
- [4] 9n*
- [5] 7k!

Q130) How the word “banking selection” be coded as

- [1] 5n& 5l@
- [2] 9k! 5l@
- [3] 5m# 5k\$
- [4] 6a\$ 9k!
- [5] 4m# 6l%

Q.131) The question given below consists of a statement, followed by two arguments numbered I and II. You have to decide which of the arguments is a 'strong' argument and which is a 'weak' argument.

Statement: Should over the top (OTT) platforms such as Whatsapp, Signal and Facebook be required to obtain licences to operate in a country just like telecom companies both of which provide services like voice calling, messaging and video calling?

Arguments:

I. Yes, because it will create a level playing field by making OTT platforms liable to pay taxes and levies that telecom companies already do.

II. Yes, this will ensure OTT platforms' compliance with security requirements, lawful interception and other regulatory obligations imposed on .

- [1] Only argument I is strong
- [2] Only argument II is strong
- [3] Either I or II is strong
- [4] Neither I nor II is strong
- [5] Both I and II are strong

Q.132) The question given below consists of a statement, followed by two arguments numbered I and II. You have to decide which of the argument is either a 'strong' argument or 'weak' argument or both or neither of them is 'strong' or 'weak'.

Despite the popularity of economic liberal ideas and globalization, the increasing severity of energy and environmental problems has raised many questions about the ability of markets to solve these problems. Kyoto Agreement ultimately resulted in the creation of a market-based system. The privatization of environmental problems has helped to reduce greenhouse gas emissions while generating significant amounts of wealth.

Arguments:

- I. Yes, it is important to balance economic goals with environmental protection to ensure a sustainable future for generations to come.
- II. No, economic liberal ideas and globalisation directly help in conserving climate and thereby there is no need to implement the market-based system.

- [1] Only argument I is strong
- [2] Only argument II is strong
- [3] Either I or II is strong
- [4] Neither I nor II is strong
- [5] Both I and II are strong

Q.133) Each question given below consists of a statement, followed by two arguments numbered I and II. You have to decide which of the arguments is a 'strong' argument and which is a 'weak' argument.

Statement: Should the demand of exporters, who are facing liquidity challenges, for extending GST (Goods and Services Tax) exemption on freight be met?

Arguments:

- I. Yes, because GST on export freight is revenue-neutral as exporters can claim a refund after making the payment, so extending the exemption will improve exporters' liquidity.
- II. Yes, because GST on export freight is levied by the central government, which has the discretionary powers to provide exemption from the tax.

- [1] Only argument I is strong
- [2] Only argument II is strong
- [3] Either I or II is strong
- [4] Neither I nor II is strong
- [5] Both I and II are strong

Q.134) Read the following group of statements and identify the main conclusion in the argument.

Considering the rate at which these photo voltaic panels are being installed around the country, India is expected to generate an enormous amount of waste over the next 20 years. In fact, India is expected to become one of the top five leading photovoltaic waste producers worldwide by 2050. India should note that it doesn't find itself caught unprepared against a new problem in the future for two good reasons.

First, simply clubbing PV waste with other e-waste could lead to confusion. Secondly, the waste generated from PV modules and their components is classified as 'hazardous waste' in India.

- [1] Implementing e-waste management programs can be expensive and may require significant financial resources.

[2] E-waste management requires specialized equipment and technical expertise, which may not be readily available in all areas.

[3] E-waste management often involves complex regulations and requirements that can be difficult to navigate.

[4] India should formulate and implement provisions specific to PV waste treatment within the ambit of the e-waste guidelines.

[5] Now is the right time for it to install clear policy directives, well-established recycling strategies, and greater collaboration to tackle waste.

Q.135) In the question below, two statements (I) and (II) are given. These statements may be either independent causes or may be effects of independent causes or a common cause. One of these statements may be the effect of the other statement. Read both the statements and decide which of the following answer choices correctly depicts the relationship between these two statements.

I. Long forced to take a back seat to the arabica bean, robusta is now becoming the flavour of note for the speciality coffee industry.

II. Everyone, from planters to roasters and coffee companies, is promoting robusta, looking at new flavour extraction processes more suited to the bean's unique properties, trying to extract complex flavours from the bean - unheard of even a couple of years ago.

[1] Statement I is the cause and statement II is its effect

[2] Statement II is the cause and statement I is its effect

[3] Both the statements I and II are independent causes

[4] Both the statements I and II are effects of independent causes

[5] Both the statements I and II are effects of some common cause

Q.136) In the question given below, a passage/statement is given followed by three statements which may or may not strengthen/weaken the assertion made in the passage. Answer the questions as per the individual direction given.

If every crevasse in your home is overflowing with objects you haven't used in more than five years, it would be fairly safe to say you are a hoarder. And if the very thought of parting with possessions you no longer need creates distress, you may have hoarding disorder. You are not alone - most Indians are known for hoarding, a habit probably triggered by generations of making do and not having enough.

Which of the following, if true, would strengthen the argument made in the above passage?

I. Collectors typically acquire possessions in an organised and targeted fashion whereas hoarders acquire objects impulsively, with little active planning.

II. A typical Indian middle-class family has a room exclusively for holding all the big and small items hidden by generations of family members.

III. Most Indians are constantly worrying about survival, prompting them to keep things in case they are needed in the future.

[1] Only I and II

[2] Only II

[3] Only I and III

[4] Only II and III

[5] All I, II and III

Direction (Q137-140): Answer the following questions on the basis of the information given below.

Eight people Alex, Ben, Charlie, Daniel, Peter, Quinn, Rachel, and Sophia are seated around a circular table facing the centre. Some information about their relationships and position is given:

Sophia's husband is sitting two seats to the right of Ben.

Quinn is seated two seats to the left of Daniel's daughter.

Quinn is Rachel's sister.

Sophis's husband is not sitting next to Quinn.

There is one person between Quinn and Alex.

Similarly, there is one person between Peter and Sophia's mother.

Alex is the father of Rachel. Charlie is not sitting next to Quinn.

Sophia's mother is seated immediately to the right of Daniel, who is Sophia's brother.

There is one person between Sophia and Rachel.

Peter is not sitting next to Rachel, who is the mother of charlie.

Q.137) Who is sitting second to the right of Ben?

[1] Rachel

[2] Alex

[3] Quinn

[4] Peter

[5] Sophia

Q.138) How many people are seated between Quinn and Alex?

[1] Three

[2] Four

[3] Two

[4] One

[5] None

Q.139) Who is the sister of Rachel?

- [1] Quinn
- [2] Charlie
- [3] Peter
- [4] Sophia
- [5] Ben

Q.1400) What is position of Peter’s grandmother with respect to Quinn?

- [1] 2nd to the right
- [2] 3rd to the right
- [3] 3rd to the left
- [4] 4th to the right
- [5] 5th to the left

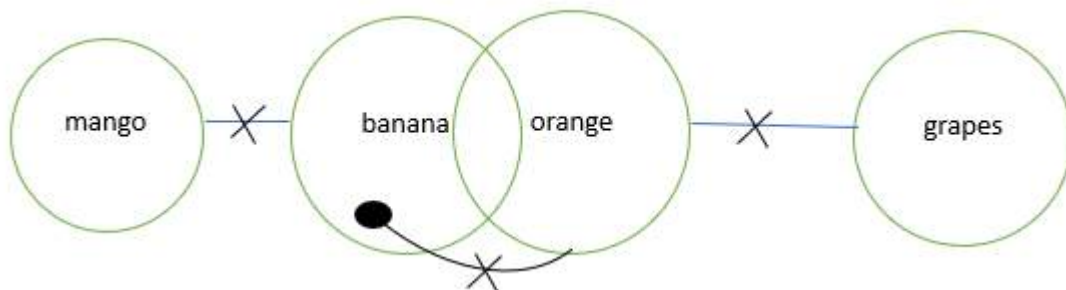
**RBI Grade B 2023 - Recollected Questions
Answer Key
Section – Reasoning**

Question Number	Answer	Question Number	Answer	Question Number	Answer
81	2	101	3	121	2
82	4	102	4	122	3
83	2	103	5	123	2
84	3	104	5	124	5
85	4	105	4	125	2
86	1	106	2	126	1
87	1	107	3	127	3
88	3	108	4	128	5
89	1	109	3	129	2
90	1	110	4	130	3
91	4	111	5	131	5
92	3	112	3	132	1
93	4	113	4	133	1
94	1	114	3	134	4
95	3	115	1	135	5
96	1	116	5	136	4

97	4	117	4	137	2
98	5	118	1	138	4
99	2	119	2	139	1
100	3	120	1	140	4

**RBI Grade B 2023 - Recollected Questions
Explanations
Section – Reasoning**

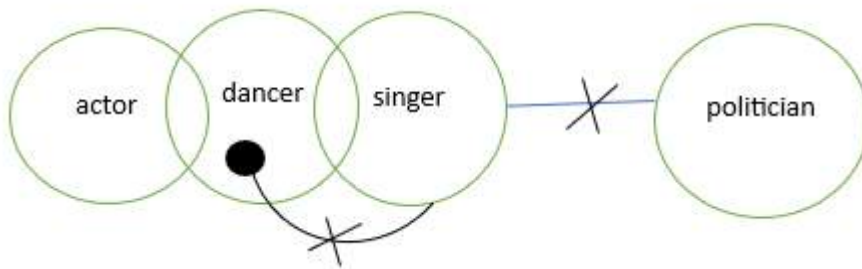
Q81) Explanation:



1. Some grapes can be mango - true
2. All bananas can be oranges – false (only a few bananas is orange means some banana are oranges and some banana are not oranges. So all bananas can never be orange)
3. Some mangoes are not bananas - true
4. Some grapes are banana is a possibility - true
5. Some oranges can be mango – true

Option 2 is the right answer.

Q82) **Explanation:**



1. Some politician being actor is a possibility - true
2. Some dancers are not singers - true
3. Some dancers are not politician is not a possibility - true
4. Some actors are singers - false
5. Some actors are singers is a possibility – true

Option 4 is the right answer.

Q83) **Explanation:**

As B is born in a month with 31 days and three months before the person from Raipur.

Three persons are born between B and D, who is not the youngest, so

	Case I		Case II		Case III	
Month	Person	Place	Person	Place	Person	Place
January	B				D	
February						
April		Raipur				
May			B			
July	D				B	
August				Raipur		
September						
October			D			(Raipur)
December						

F is born two months after D, this is not possible in case III, so case III is rejected.

Only one person is born between F and E, who is from Solapur.

There is a gap of only one month between the birth of G and the one from Solapur.

G is not from Sultanpur.

Person from Jaipur is five months elder than G, so the person from Jaipur is either born in May or in February.

	Case I		Case II	
Month	Person	Place	Person	Place

January	B			
February				Jaipur
April		Raipur		
May		Jaipur	B	
July	D		G	xSultanpur
August				Raipur
September	F		E	Solapur
October	G	xSultanpur	D	
December	E	Solapur	F	

H from Udaipur is born three months after I, who is not the eldest, this is not possible in case II, so case II is rejected.

A is younger than C, so A is born in April and C is born in February.

Person from Nagpur is born immediately after the one from Kanpur.

Person from Kanpur is not born in a month with only 30 days, so the person from Nagpur is born in February and the one who is from Kanpur is born in January.

Person from Jodhpur is born before the one from Sultanpur, so the person from Jodhpur is born in July and the one from Sultanpur is born in September and G is from Firozpur.

The final schedule table is given below:

Month	Person	Place
January	B	Kanpur
February	C	Nagpur
April	A	Raipur
May	I	Jaipur
July	D	Jodhpur
August	H	Udaipur
September	F	Sultanpur
October	G	Firozpur
December	E	Solapur

A is born in April and H is born in August, so A is four months older than H.

Q84) Explanation:

As B is born in a month with 31 days and three months before the person from Raipur.

Three persons are born between B and D, who is not the youngest, so

	Case I		Case II		Case III	
Month	Person	Place	Person	Place	Person	Place
January	B				D	
February						
April		Raipur				
May			B			

July	D				B	
August				Raipur		
September						
October			D			(Raipur)
December						

F is born two months after D, this is not possible in case III, so case III is rejected.

Only one person is born between F and E, who is from Solapur.

There is a gap of only one month between the birth of G and the one from Solapur.

G is not from Sultanpur.

Person from Jaipur is five months elder than G, so the person from Jaipur is either born in May or in February.

	Case I		Case II	
Month	Person	Place	Person	Place
January	B			
February				Jaipur
April		Raipur		
May		Jaipur	B	
July	D		G	xSultanpur
August				Raipur
September	F		E	Solapur
October	G	xSultanpur	D	
December	E	Solapur	F	

H from Udaipur is born three months after I, who is not the eldest, this is not possible in case II, so case II is rejected.

A is younger than C, so A is born in April and C is born in February.

Person from Nagpur is born immediately after the one from Kanpur.

Person from Kanpur is not born in a month with only 30 days, so the person from Nagpur is born in February and the one who is from Kanpur is born in January.

Person from Jodhpur is born before the one from Sultanpur, so the person from Jodhpur is born in July and the one from Sultanpur is born in September and G is from Firozpur.

The final schedule table is given below:

Month	Person	Place
January	B	Kanpur
February	C	Nagpur
April	A	Raipur
May	I	Jaipur
July	D	Jodhpur

August	H	Udaipur
September	F	Sultanpur
October	G	Firozpur
December	E	Solapur

Among the given options, both D and the person from Jaipur are born between C and the person from Udaipur.

Q85) Explanation:

As B is born in a month with 31 days and three months before the person from Raipur.

Three persons are born between B and D, who is not the youngest, so

	Case I		Case II		Case III	
Month	Person	Place	Person	Place	Person	Place
January	B				D	
February						
April		Raipur				
May			B			
July	D				B	
August				Raipur		
September						
October			D			(Raipur)
December						

F is born two months after D, this is not possible in case III, so case III is rejected.

Only one person is born between F and E, who is from Solapur.

There is a gap of only one month between the birth of G and the one from Solapur.

G is not from Sultanpur.

Person from Jaipur is five months elder than G, so the person from Jaipur is either born in May or in February.

	Case I		Case II	
Month	Person	Place	Person	Place
January	B			
February				Jaipur
April		Raipur		
May		Jaipur	B	
July	D		G	xSultanpur
August				Raipur
September	F		E	Solapur
October	G	xSultanpur	D	
December	E	Solapur	F	

H from Udaipur is born three months after I, who is not the eldest, this is not possible in case II, so case II is rejected.

A is younger than C, so A is born in April and C is born in February.

Person from Nagpur is born immediately after the one from Kanpur.

Person from Kanpur is not born in a month with only 30 days, so the person from Nagpur is born in February and the one who is from Kanpur is born in January.

Person from Jodhpur is born before the one from Sultanpur, so the person from Jodhpur is born in July and the one from Sultanpur is born in September and G is from Firozpur.

The final schedule table is given below:

Month	Person	Place
January	B	Kanpur
February	C	Nagpur
April	A	Raipur
May	I	Jaipur
July	D	Jodhpur
August	H	Udaipur
September	F	Sultanpur
October	G	Firozpur
December	E	Solapur

B is the eldest person (i.e. born in January) and he is from Kanpur.

Q86) Explanation:

As B is born in a month with 31 days and three months before the person from Raipur.

Three persons are born between B and D, who is not the youngest, so

	Case I		Case II		Case III	
Month	Person	Place	Person	Place	Person	Place
January	B				D	
February						
April		Raipur				
May			B			
July	D				B	
August				Raipur		
September						
October			D			(Raipur)
December						

F is born two months after D, this is not possible in case III, so case III is rejected.

Only one person is born between F and E, who is from Solapur.

There is a gap of only one month between the birth of G and the one from Solapur.

G is not from Sultanpur.

Person from Jaipur is five months elder than G, so the person from Jaipur is either born in May or in February.

	Case I		Case II	
Month	Person	Place	Person	Place
January	B			
February				Jaipur
April		Raipur		
May		Jaipur	B	
July	D		G	xSultanpur
August				Raipur
September	F		E	Solapur
October	G	xSultanpur	D	
December	E	Solapur	F	

H from Udaipur is born three months after I, who is not the eldest, this is not possible in case II, so case II is rejected.

A is younger than C, so A is born in April and C is born in February.

Person from Nagpur is born immediately after the one from Kanpur.

Person from Kanpur is not born in a month with only 30 days, so the person from Nagpur is born in February and the one who is from Kanpur is born in January.

Person from Jodhpur is born before the one from Sultanpur, so the person from Jodhpur is born in July and the one from Sultanpur is born in September and G is from Firozpur.

The final schedule table is given below:

Month	Person	Place
January	B	Kanpur
February	C	Nagpur
April	A	Raipur
May	I	Jaipur
July	D	Jodhpur
August	H	Udaipur
September	F	Sultanpur
October	G	Firozpur
December	E	Solapur

Five persons were born between the person who is born in October and the C, who is from Nagpur.

Q87) Explanation:

As B is born in a month with 31 days and three months before the person from Raipur.

Three persons are born between B and D, who is not the youngest, so

	Case I		Case II		Case III	
Month	Person	Place	Person	Place	Person	Place
January	B				D	
February						
April		Raipur				
May			B			
July	D				B	
August				Raipur		
September						
October			D			(Raipur)
December						

F is born two months after D, this is not possible in case III, so case III is rejected.

Only one person is born between F and E, who is from Solapur.

There is a gap of only one month between the birth of G and the one from Solapur.

G is not from Sultanpur.

Person from Jaipur is five months elder than G, so the person from Jaipur is either born in May or in February.

	Case I		Case II	
Month	Person	Place	Person	Place
January	B			
February				Jaipur
April		Raipur		
May		Jaipur	B	
July	D		G	xSultanpur
August				Raipur
September	F		E	Solapur
October	G	xSultanpur	D	
December	E	Solapur	F	

H from Udaipur is born three months after I, who is not the eldest, this is not possible in case II, so case II is rejected.

A is younger than C, so A is born in April and C is born in February.

Person from Nagpur is born immediately after the one from Kanpur.

Person from Kanpur is not born in a month with only 30 days, so the person from Nagpur is born in February and the one who is from Kanpur is born in January.

Person from Jodhpur is born before the one from Sultanpur, so the person from Jodhpur is born in July and the one from Sultanpur is born in September and G is from Firozpur.

The final schedule table is given below:

Month	Person	Place
January	B	Kanpur
February	C	Nagpur
April	A	Raipur
May	I	Jaipur
July	D	Jodhpur
August	H	Udaipur
September	F	Sultanpur
October	G	Firozpur
December	E	Solapur

3rd eldest person i.e. A is three months elder than D.

Q88) Explanation:

Given series - @ F 5 2 M \$ 7 K T R 3 C + 8 B ! 9 D Q * G 6 W N

Step 1 - @ F 5 2 M \$ K T R 3 C + B ! D Q * G 6 W N 9 8 7

Step 2 - @ F 5 2 \$ K T R 3 + ! D * G B C M Q 6 W N 9 8 7

R. end = 11th

R. end = 4th

R. end = 11 - 4 = 7th

G is 7th from the right end.

Option 3 is the right answer.

Q89) Explanation:

Given series - @ F 5 2 M \$ 7 K T R 3 C + 8 B ! 9 D Q * G 6 W N

Step 1 - @ F 5 2 M \$ K T R 3 C + B ! D Q * G 6 W N 9 8 7

Step 2 - @ F 5 2 \$ K T R 3 + ! D * G B C M Q 6 W N 9 8 7

Four alphabets are immediately followed or preceded by symbol in step 2.

Option 1 is the right answer.

Q90) Explanation:

As mobiles are kept in box 4

H is three boxes above the box with 24 items.

Third box from the top contains 2nd highest number of items.

G has 14 items and is one of the four boxes above H, so

	Case I	Case II	Case III
--	--------	---------	----------

9							G		14
8				G		14			
7			27			27			27
6	G		14						
5	H			H			H		
4		Mobile			Mobile			Mobile	
3									
2			24			24			24
1									

There are three boxes between G and the box with 18 items, this is not possible in case I, so case I is rejected.

No. of bottles is six more than no. of clothes.

D is immediately below the box which contains clothes and neither of these boxes contains more than 23 items.

There are three boxes between the box, which contains bottles and E, which contains books.

	Case II			Case III		
9				G		14
8	G		14			
7		Bottles	27			27
6				E	Books	
5	H	Cloths	21	H	Clothes	18
4	D	Mobile	18	D	Mobile	
3	E	Books				
2			24		Bottles	24
1						

Shoes are three boxes above B, this is not possible in case III, so case III is rejected, so shoes are kept at the topmost box and B is box 6.

A is immediately above F, so A is box 2 and F is box 1.

Box, which contains Pens, is immediately above I, so I is box 7.

C is three boxes above the box, which contains lowest no. of items, so B contains 7 items.

	Case II		
9	C	Shoes	
8	G	Pens	14
7	I	Bottles	27
6	B		7
5	H	Cloths	21
4	D	Mobile	18
3	E	Books	
2	A		24

1	F		
---	---	--	--

Box with 23 items is immediately below the box, which contains watches, so box A contains watches and F contains 23 items.

No. of pencils is less than no. of combs, so there are 7 pencils and 23 combs.

No. of Books is not less than no. of shoes, so there are 30 books and 12 shoes.

The final table is given below:

Case II			
9	C	Shoes	12
8	G	Pens	14
7	I	Bottles	27
6	B	Pencils	7
5	H	Cloths	21
4	D	Mobile	18
3	E	Books	30
2	A	Watches	24
1	F	Combs	23

C is four boxes above the box which contains 21 items.

Q91) Explanation:

As mobiles are kept in box 4

H is three boxes above the box with 24 items.

Third box from the top contains 2nd highest number of items.

G has 14 items and is one of the four boxes above H, so

	Case I	Case II	Case III
9			G 14
8		G 14	
7		27	27
6	G 14		
5	H	H	H
4	Mobile	Mobile	Mobile
3			
2		24	24
1			

There are three boxes between G and the box with 18 items, this is not possible in case I, so case I is rejected.

No. of bottles is six more than no. of clothes.

D is immediately below the box which contains clothes and neither of these boxes contains more than 23 items.

There are three boxes between the box, which contains bottles and E, which contains books.

	Case II			Case III		
9				G		14
8	G		14			
7		Bottles	27			27
6				E	Books	
5	H	Cloths	21	H	Clothes	18
4	D	Mobile	18	D	Mobile	
3	E	Books				
2			24		Bottles	24
1						

Shoes are three boxes above B, this is not possible in case III, so case III is rejected, so shoes are kept at the topmost box and B is box 6.

A is immediately above F, so A is box 2 and F is box 1.

Box, which contains Pens, is immediately above I, so I is box 7.

C is three boxes above the box, which contains lowest no. of items, so B contains 7 items.

	Case II		
9	C	Shoes	
8	G	Pens	14
7	I	Bottles	27
6	B		7
5	H	Cloths	21
4	D	Mobile	18
3	E	Books	
2	A		24
1	F		

Box with 23 items is immediately below the box, which contains watches, so box A contains watches and F contains 23 items.

No. of pencils is less than no. of combs, so there are 7 pencils and 23 combs.

No. of Books is not less than no. of shoes, so there are 30 books and 12 shoes.

The final table is given below:

	Case II		
9	C	Shoes	12
8	G	Pens	14
7	I	Bottles	27
6	B	Pencils	7

5	H	Cloths	21
4	D	Mobile	18
3	E	Books	30
2	A	Watches	24
1	F	Combs	23

Number of combs is 23 and number of pencils is 07.

Sum = (23 + 7) = 30.

Q92) Explanation:

As mobiles are kept in box 4

H is three boxes above the box with 24 items.

Third box from the top contains 2nd highest number of items.

G has 14 items and is one of the four boxes above H, so

	Case I	Case II	Case III
9			G 14
8		G 14	
7		27	27
6	G 14		
5	H	H	H
4	Mobile	Mobile	Mobile
3			
2		24	24
1			

There are three boxes between G and the box with 18 items, this is not possible in case I, so case I is rejected.

No. of bottles is six more than no. of clothes.

D is immediately below the box which contains clothes and neither of these boxes contains more than 23 items.

There are three boxes between the box, which contains bottles and E, which contains books.

	Case II	Case III
9		G 14
8	G 14	
7	Bottles 27	27
6		E Books
5	H Cloths 21	H Clothes 18
4	D Mobile 18	D Mobile
3	E Books	
2		Bottles 24

1						
---	--	--	--	--	--	--

Shoes are three boxes above B, this is not possible in case III, so case III is rejected, so shoes are kept at the topmost box and B is box 6.

A is immediately above F, so A is box 2 and F is box 1.

Box, which contains Pens, is immediately above I, so I is box 7.

C is three boxes above the box, which contains lowest no. of items, so B contains 7 items.

Case II			
9	C	Shoes	
8	G	Pens	14
7	I	Bottles	27
6	B		7
5	H	Cloths	21
4	D	Mobile	18
3	E	Books	
2	A		24
1	F		

Box with 23 items is immediately below the box, which contains watches, so box A contains watches and F contains 23 items.

No. of pencils is less than no. of combs, so there are 7 pencils and 23 combs.

No. of Books is not less than no. of shoes, so there are 30 books and 12 shoes.

The final table is given below:

Case II			
9	C	Shoes	12
8	G	Pens	14
7	I	Bottles	27
6	B	Pencils	7
5	H	Cloths	21
4	D	Mobile	18
3	E	Books	30
2	A	Watches	24
1	F	Combs	23

A and the box containing 14 items are not between the box containing the lowest and highest number of items.

Q93) Explanation:

As mobiles are kept in box 4

H is three boxes above the box with 24 items.

Third box from the top contains 2nd highest number of items.

G has 14 items and is one of the four boxes above H, so

	Case I			Case II			Case III		
9							G		14
8				G		14			
7			27			27			27
6	G		14						
5	H			H			H		
4		Mobile			Mobile			Mobile	
3									
2			24			24			24
1									

There are three boxes between G and the box with 18 items, this is not possible in case I, so case I is rejected.

No. of bottles is six more than no. of clothes.

D is immediately below the box which contains clothes and neither of these boxes contains more than 23 items.

There are three boxes between the box, which contains bottles and E, which contains books.

	Case II			Case III		
9				G		14
8	G		14			
7		Bottles	27			27
6				E	Books	
5	H	Cloths	21	H	Clothes	18
4	D	Mobile	18	D	Mobile	
3	E	Books				
2			24		Bottles	24
1						

Shoes are three boxes above B, this is not possible in case III, so case III is rejected, so shoes are kept at the topmost box and B is box 6.

A is immediately above F, so A is box 2 and F is box 1.

Box, which contains Pens, is immediately above I, so I is box 7.

C is three boxes above the box, which contains lowest no. of items, so B contains 7 items.

	Case II		
9	C	Shoes	
8	G	Pens	14
7	I	Bottles	27
6	B		7

5	H	Cloths	21
4	D	Mobile	18
3	E	Books	
2	A		24
1	F		

Box with 23 items is immediately below the box, which contains watches, so box A contains watches and F contains 23 items.

No. of pencils is less than no. of combs, so there are 7 pencils and 23 combs.

No. of Books is not less than no. of shoes, so there are 30 books and 12 shoes.

The final table is given below:

Case II			
9	C	Shoes	12
8	G	Pens	14
7	I	Bottles	27
6	B	Pencils	7
5	H	Cloths	21
4	D	Mobile	18
3	E	Books	30
2	A	Watches	24
1	F	Combs	23

The topmost box contains 12 items and there are 24 watches.

Difference = $(24 - 12) = 12$.

Q94) Explanation:

As mobiles are kept in box 4

H is three boxes above the box with 24 items.

Third box from the top contains 2nd highest number of items.

G has 14 items and is one of the four boxes above H, so

	Case I	Case II	Case III
9			G 14
8		G 14	
7		27	27 27
6	G 14		
5	H	H	H
4	Mobile	Mobile	Mobile
3			
2		24	24 24
1			

There are three boxes between G and the box with 18 items, this is not possible in case I, so case I is rejected.

No. of bottles is six more than no. of clothes.

D is immediately below the box which contains clothes and neither of these boxes contains more than 23 items.

There are three boxes between the box, which contains bottles and E, which contains books.

	Case II			Case III		
9				G		14
8	G		14			
7		Bottles	27			27
6				E	Books	
5	H	Cloths	21	H	Clothes	18
4	D	Mobile	18	D	Mobile	
3	E	Books				
2			24		Bottles	24
1						

Shoes are three boxes above B, this is not possible in case III, so case III is rejected, so shoes are kept at the topmost box and B is box 6.

A is immediately above F, so A is box 2 and F is box 1.

Box, which contains Pens, is immediately above I, so I is box 7.

C is three boxes above the box, which contains lowest no. of items, so B contains 7 items.

	Case II		
9	C	Shoes	
8	G	Pens	14
7	I	Bottles	27
6	B		7
5	H	Cloths	21
4	D	Mobile	18
3	E	Books	
2	A		24
1	F		

Box with 23 items is immediately below the box, which contains watches, so box A contains watches and F contains 23 items.

No. of pencils is less than no. of combs, so there are 7 pencils and 23 combs.

No. of Books is not less than no. of shoes, so there are 30 books and 12 shoes.

The final table is given below:

Case II			
9	C	Shoes	12
8	G	Pens	14
7	I	Bottles	27
6	B	Pencils	7
5	H	Cloths	21
4	D	Mobile	18
3	E	Books	30
2	A	Watches	24
1	F	Combs	23

Among the given options, B is kept between the box with 21 items and the box containing Pens.

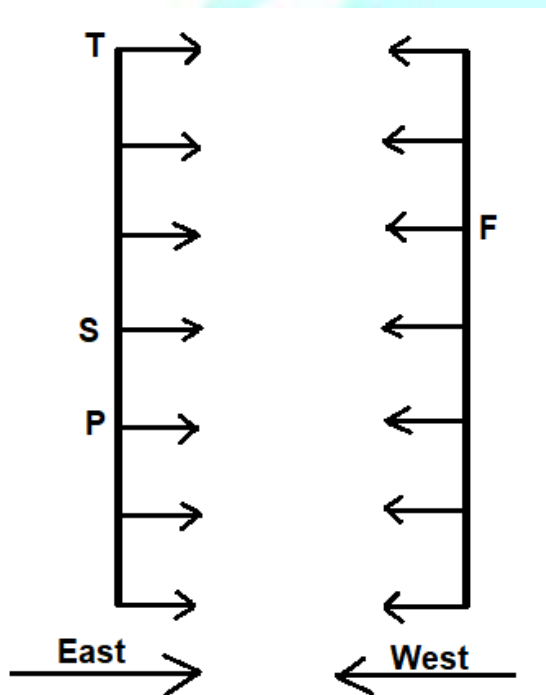
Q95) Explanation:

Start with T and P as one of them is sitting at the extreme end and T sits 4th to the left of P.

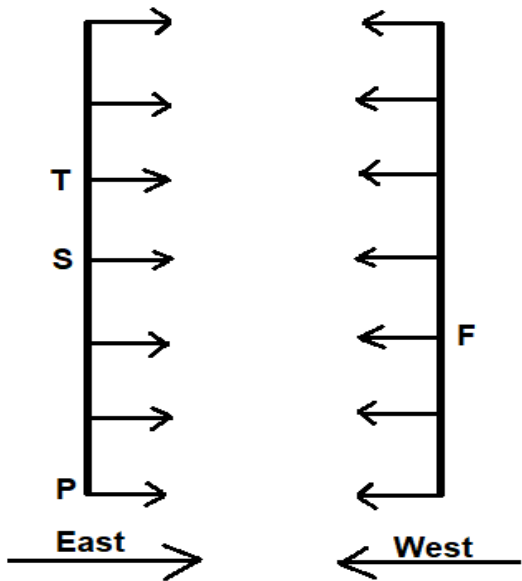
The one who faces P sits second to the left of F. S sits exactly in the middle of the row.

So, we have 2 possible cases i.e., either T or P sits at the extreme end.

Case I: When T sits at the extreme end:



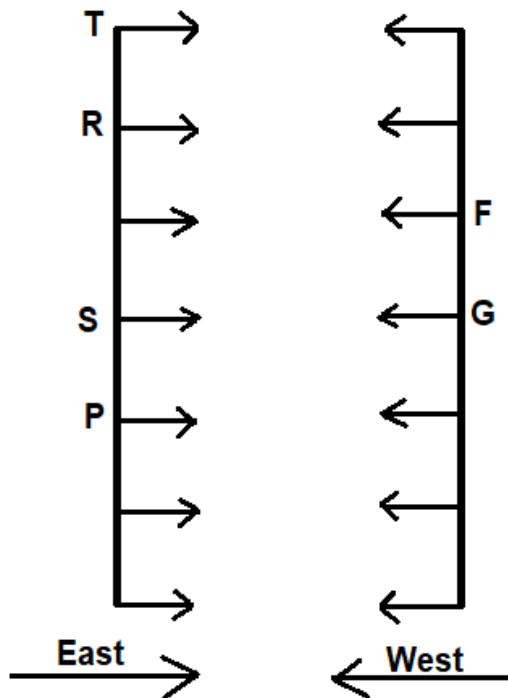
Case II: When P sits at the extreme end:



Number of persons sitting to the left of F is twice the number of persons sitting to the right of F. The one who faces P sits to the immediate left of G and that person is neither C nor D. Number of persons sit between P and R is same as the number of persons sit between T and S.

So, case II is rejected as number of persons sitting to the left is twice than the number of persons sitting to the right of F.

Now, 2 persons are sitting between T and S so, 2 persons are sitting P and R which means R must be sitting to the left of P.

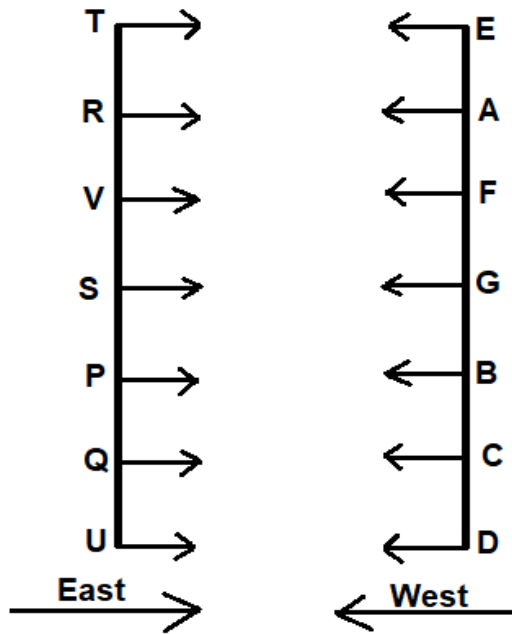


T neither faces C nor D. No one sit between S and V. At least two persons sit between G and E. R does not face B. At most one person sit between S and Q. U neither faces E nor C.

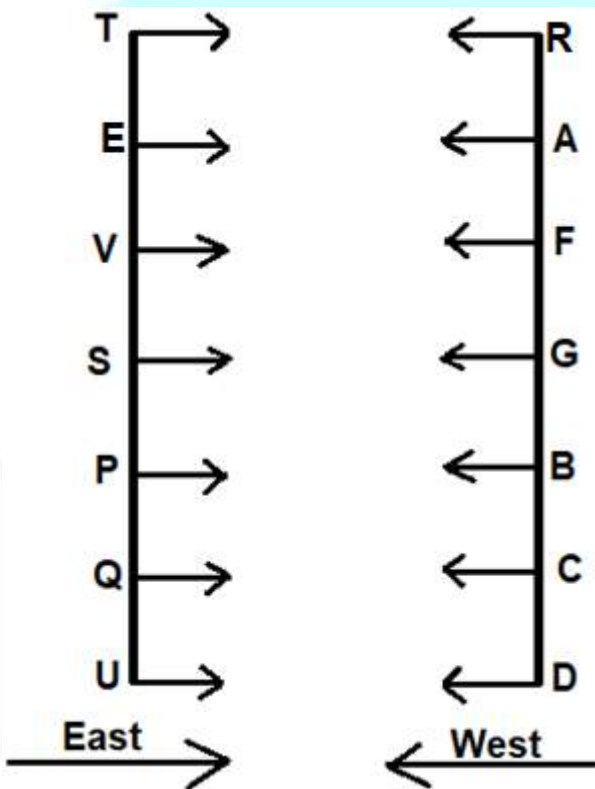
Now, E either sits to the left or right of G. Also, Q must be sitting 2nd to the right of S as at most one person sits between them. Now, we have left with one place in row 1 i.e., immediate right of Q so, U must be sitting immediate right of Q.

Now, If U sits immediate right of Q which means E must be sitting to the right of G as U neither face E nor C.

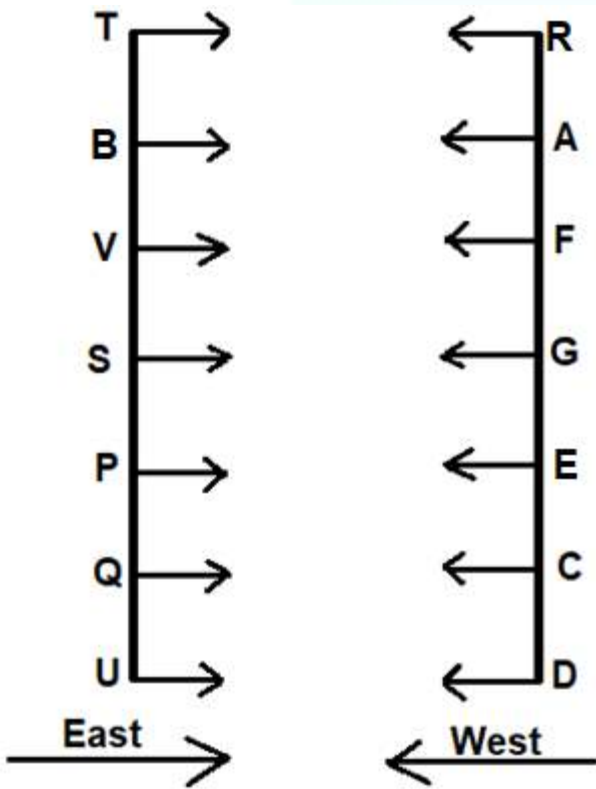
The final arrangement before the movement is as follows:



Now, A throws the dice and gets 4 which means R exchanges his seat with E.

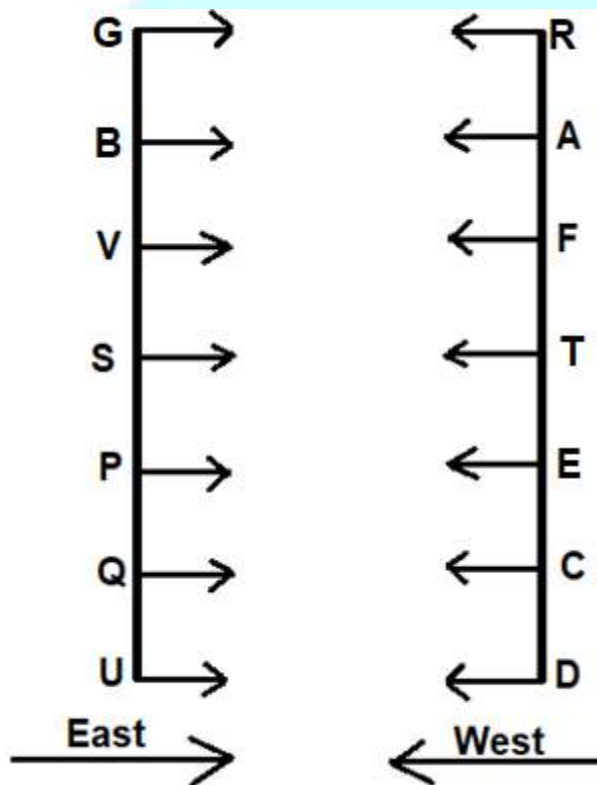


F throws the dice and gets 3 which means B exchanges his seat with E.



Finally, V throws the dice and gets 1 which means T exchanges his seat with G.

The final figure after the movement is as follows:



G sits opposite to R after the movement.

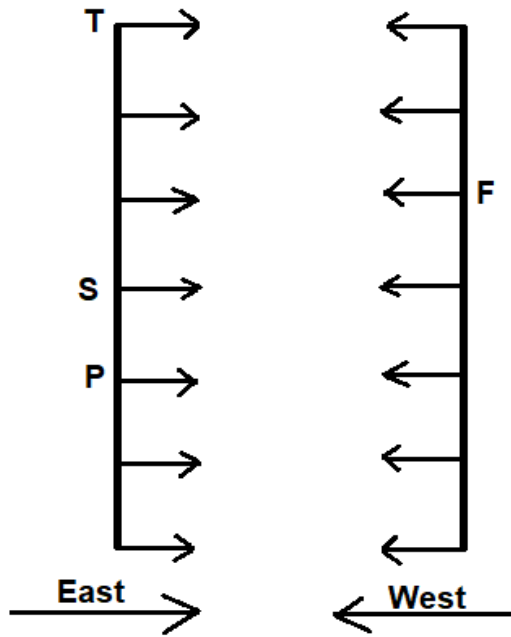
Q96) Explanation:

Start with T and P as one of them is sitting at the extreme end and T sits 4th to the left of P.

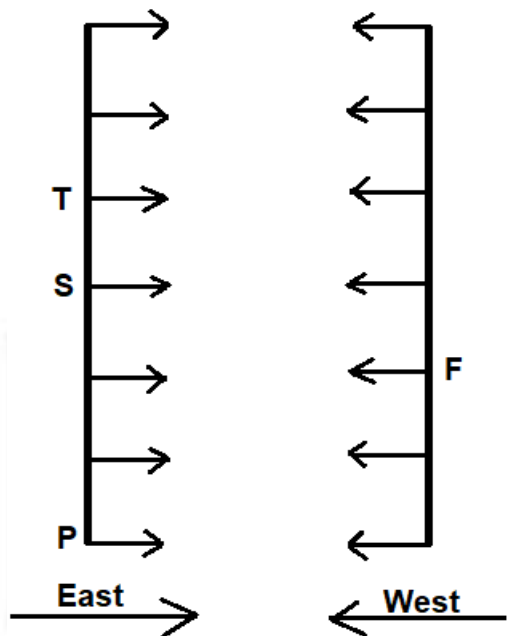
The one who faces P sits second to the left of F. S sits exactly in the middle of the row.

So, we have 2 possible cases i.e., either T or P sits at the extreme end.

Case I: When T sits at the extreme end:



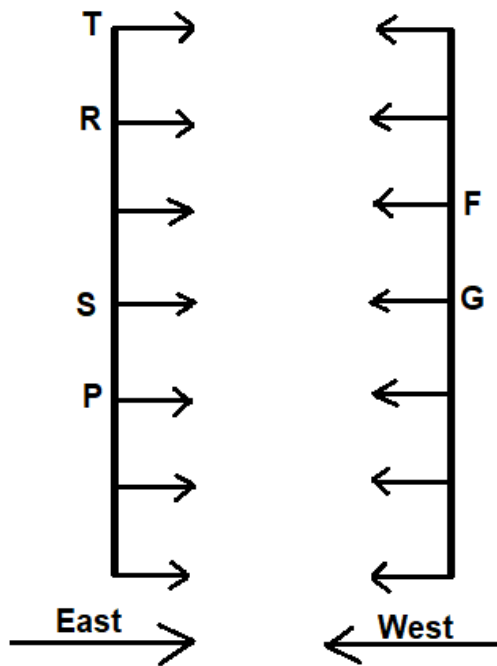
Case II: When P sits at the extreme end:



Number of persons sitting to the left of F is twice the number of persons sitting to the right of F. The one who faces P sits to the immediate left of G and that person is neither C nor D. Number of persons sit between P and R is same as the number of persons sit between T and S.

So, case II is rejected as number of persons sitting to the left is twice than the number of persons sitting to the right of F.

Now, 2 persons are sitting between T and S so, 2 persons are sitting P and R which means R must be sitting to the left of P.



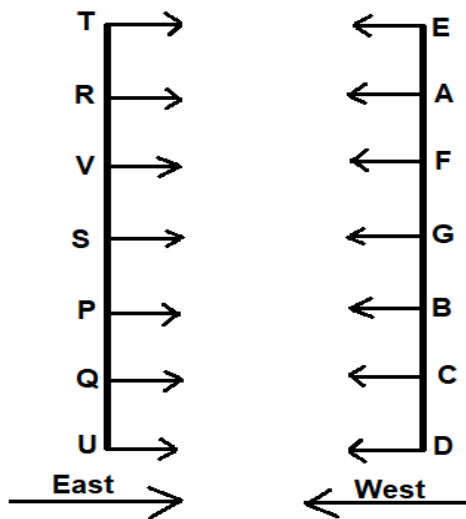
T neither faces C nor D. No one sit between S and V. At least two persons sit between G and E. R does not face B. At most one person sit between S and Q. U neither faces E nor C.

Now, E either sits to the left or right of G. Also, Q must be sitting 2nd to the right of S as at most one person sits between them. Now, we have left with one place in row 1 i.e., immediate right of Q so, U must be sitting immediate right of Q.

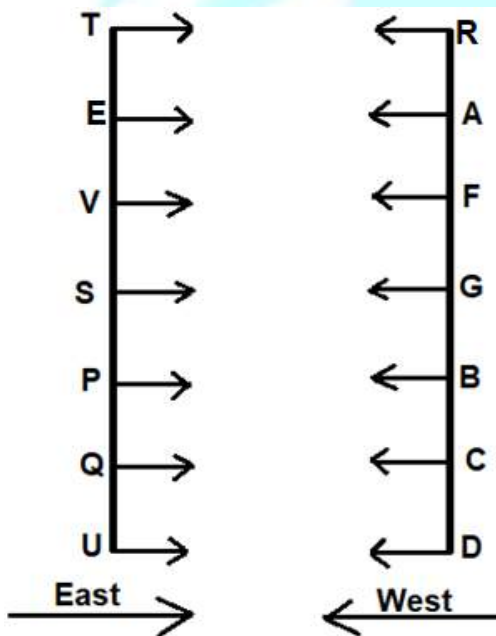
Now, If U sits immediate right of Q which means E must be sitting to the right of G as U neither face E nor C.

The final arrangement before the movement is as follows:

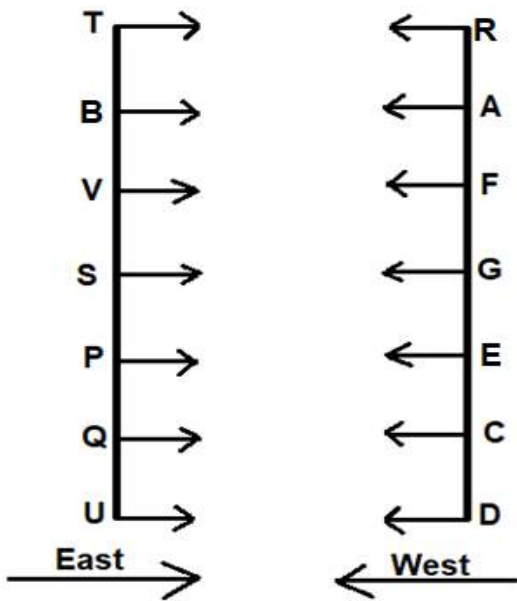
EduTap



Now, A throws the dice and gets 4 which means R exchange his seat with E.

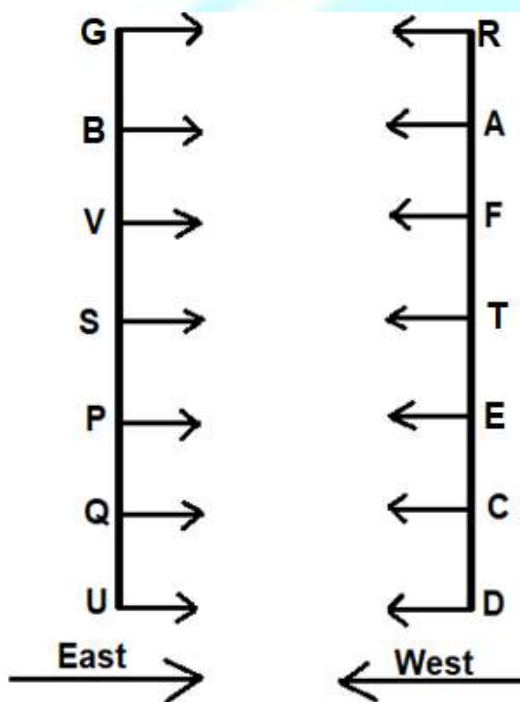


F throws the dice and gets 3 which means B exchanges his seat with E.



Finally, V throws the dice and gets 1 which means T exchanges his seat with G.

The final figure after the movement is as follows:



A sits 2nd to the right of G before the movement.

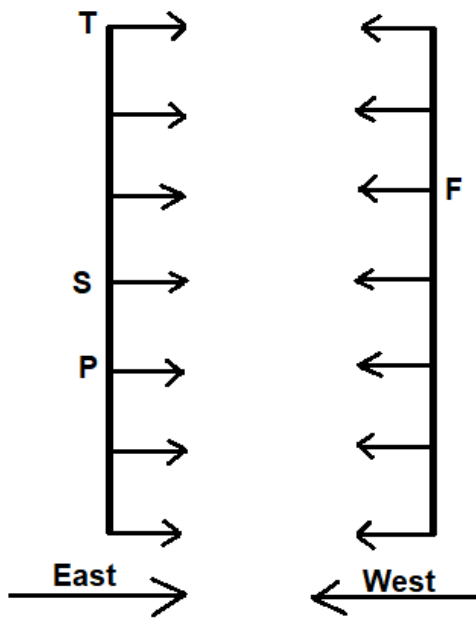
Q97) Explanation:

Start with T and P as one of them is sitting at the extreme end and T sits 4th to the left of P.

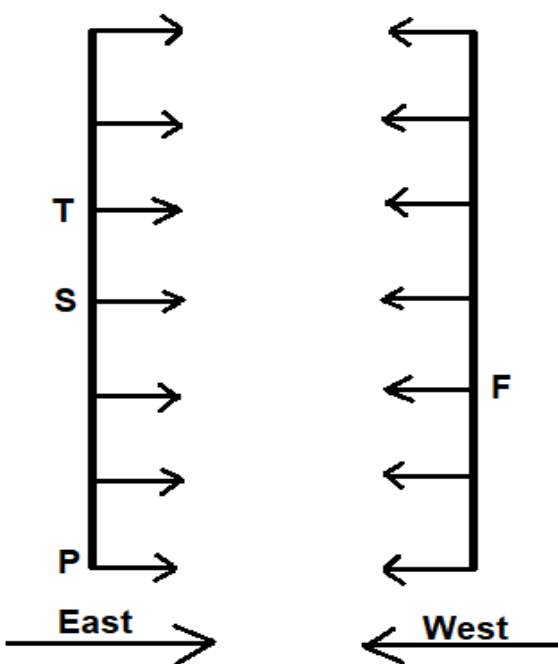
The one who faces P sits second to the left of F. S sits exactly in the middle of the row.

So, we have 2 possible cases i.e., either T or P sits at the extreme end.

Case I: When T sits at the extreme end:



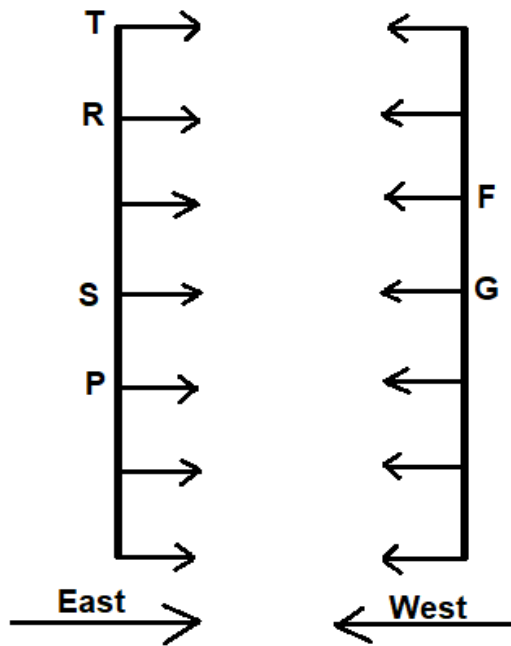
Case II: When P sits at the extreme end:



Number of persons sitting to the left of F is twice the number of persons sitting to the right of F. The one who faces P sits to the immediate left of G and that person is neither C nor D. Number of persons sit between P and R is same as the number of persons sit between T and S.

So, case II is rejected as number of persons sitting to the left is twice than the number of persons sitting to the right of F.

Now, 2 persons are sitting between T and S so, 2 persons are sitting P and R which means R must be sitting to the left of P.

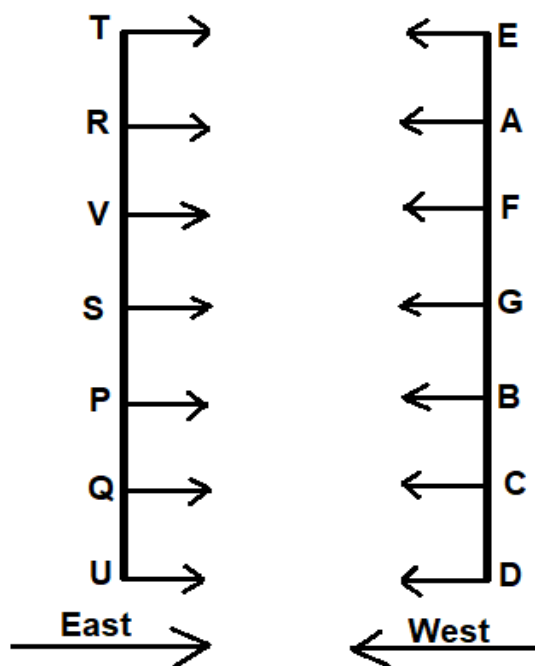


T neither faces C nor D. No one sit between S and V. At least two persons sit between G and E. R does not face B. At most one person sit between S and Q. U neither faces E nor C.

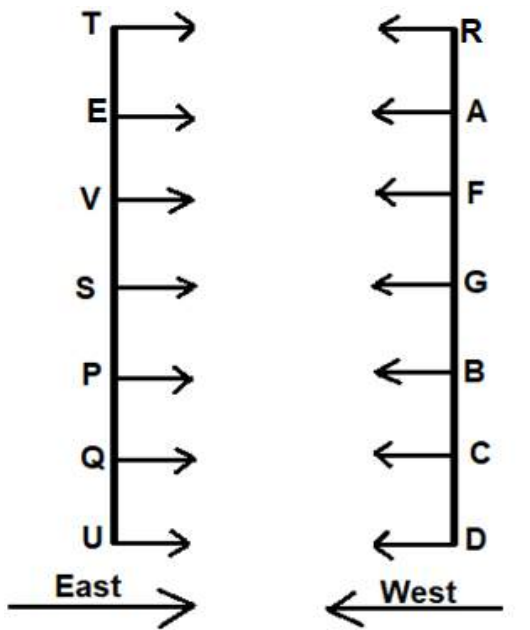
Now, E either sits to the left or right of G. Also, Q must be sitting 2nd to the right of S as at most one person sits between them. Now, we have left with one place in row 1 i.e., immediate right of Q so, U must be sitting immediate right of Q.

Now, If U sits immediate right of Q which means E must be sitting to the right of G as U neither face E nor C.

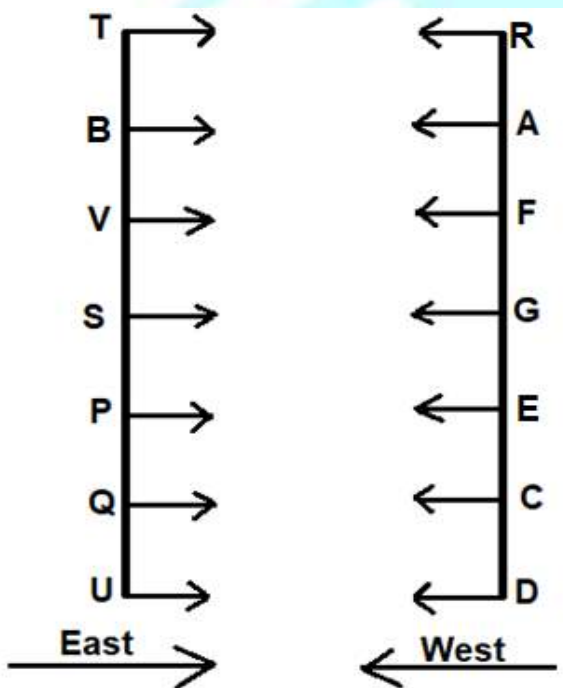
The final arrangement before the movement is as follows:



Now, A throws the dice and gets 4 which means R exchange his seat with E.

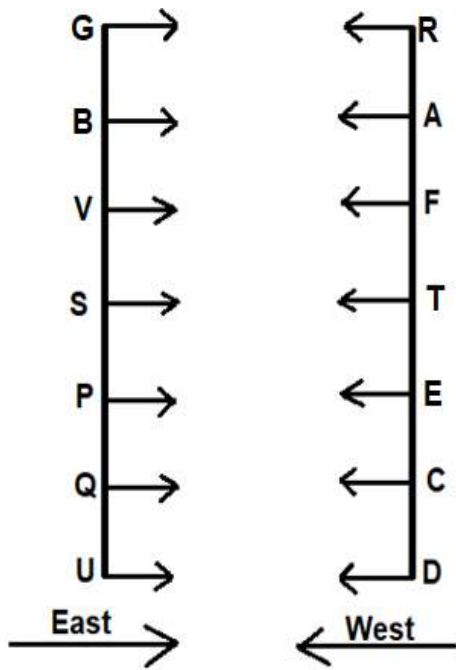


F throws the dice and gets 3 which means B exchanges his seat with E.



Finally, V throws the dice and gets 1 which means T exchanges his seat with G.

The final figure after the movement is as follows:



T is facing the one, who sits immediate right of V after the movement.

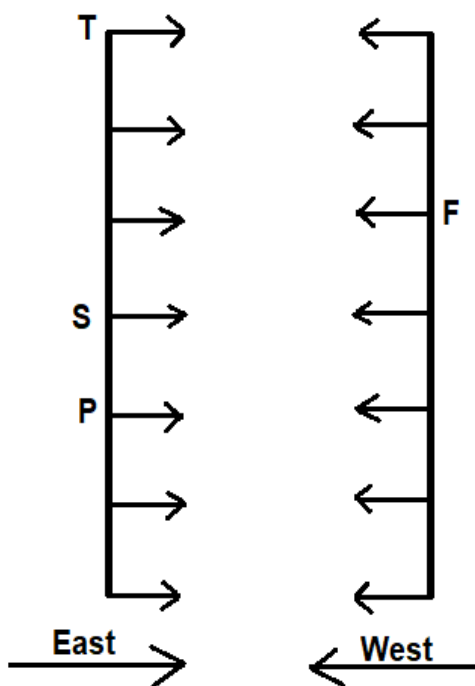
Q98) Explanation:

Start with T and P as one of them is sitting at the extreme end and T sits 4th to the left of P.

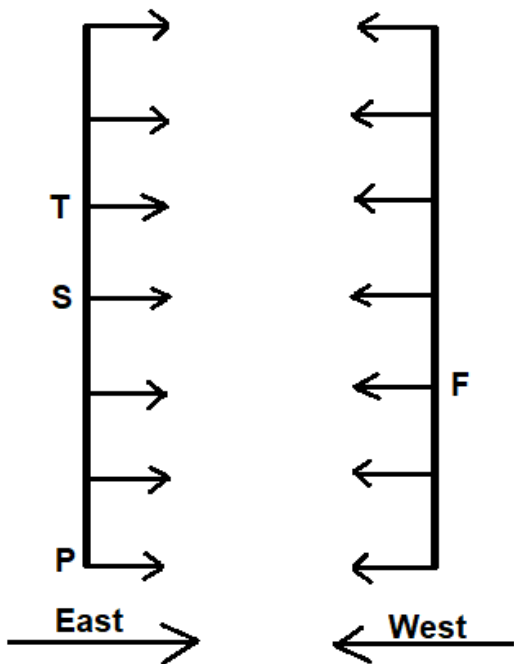
The one who faces P sits second to the left of F. S sits exactly in the middle of the row.

So, we have 2 possible cases i.e., either T or P sits at the extreme end.

Case I: When T sits at the extreme end:



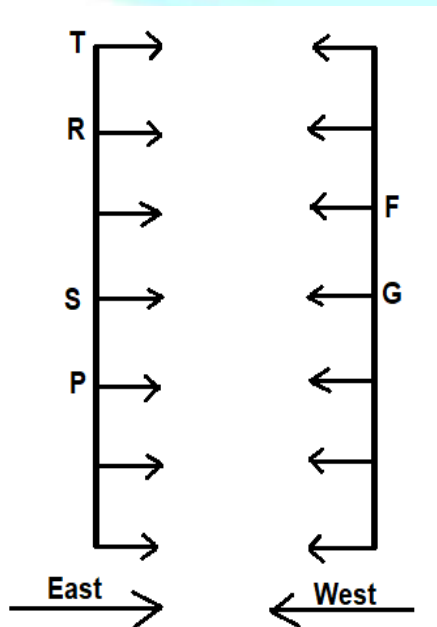
Case II: When P sits at the extreme end:



Number of persons sitting to the left of F is twice the number of persons sitting to the right of F. The one who faces P sits to the immediate left of G and that person is neither C nor D. Number of persons sit between P and R is same as the number of persons sit between T and S.

So, case II is rejected as number of persons sitting to the left is twice than the number of persons sitting to the right of F.

Now, 2 persons are sitting between T and S so, 2 persons are sitting P and R which means R must be sitting to the left of P.

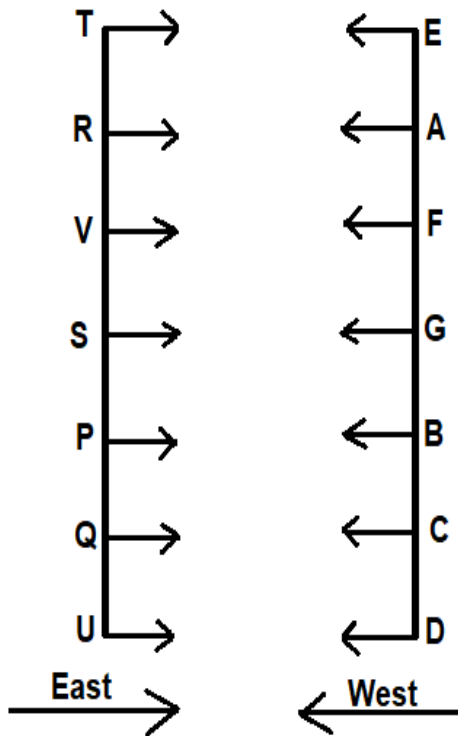


T neither faces C nor D. No one sit between S and V. At least two persons sit between G and E. R does not face B. At most one person sit between S and Q. U neither faces E nor C.

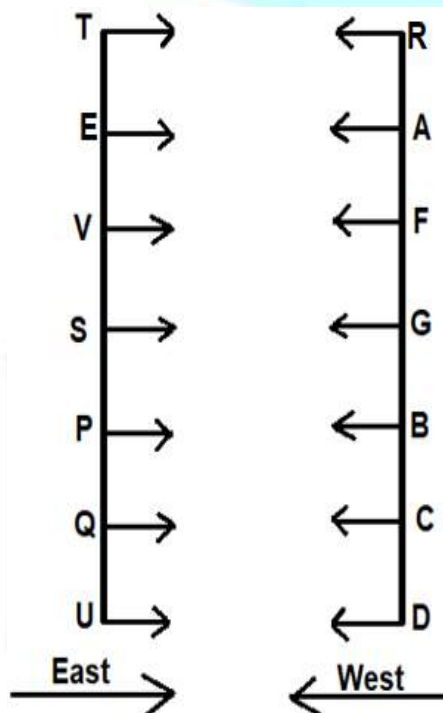
Now, E either sits to the left or right of G. Also, Q must be sitting 2nd to the right of S as at most one person sits between them. Now, we have left with one place in row 1 i.e., immediate right of Q so, U must be sitting immediate right of Q.

Now, If U sits immediate right of Q which means E must be sitting to the right of G as U neither face E nor C.

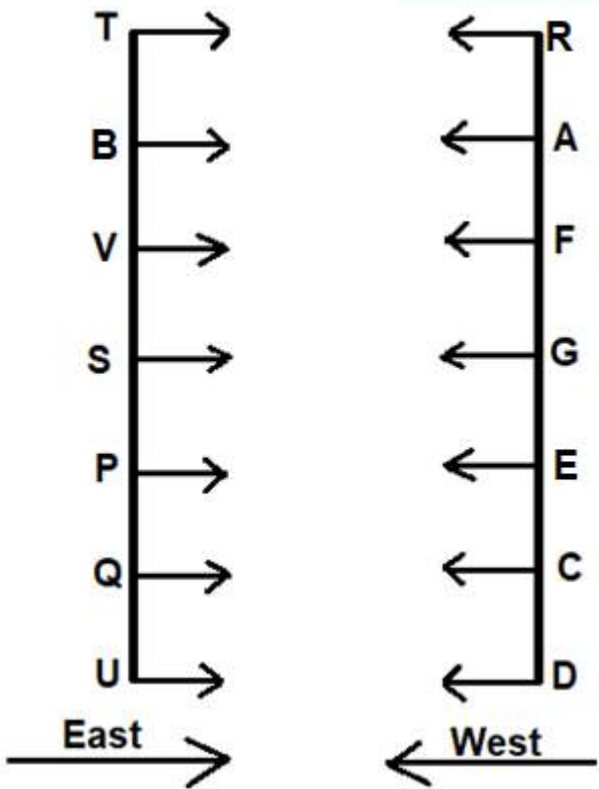
The final arrangement before the movement is as follows:



Now, A throws the dice and gets 4 which means R exchange his seat with E.

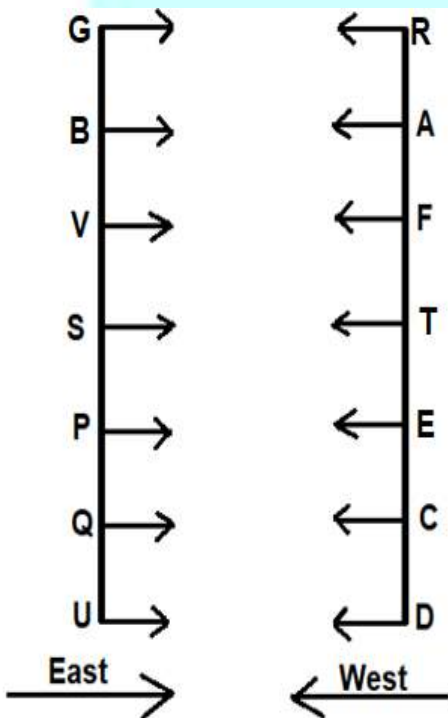


F throws the dice and gets 3 which means B exchanges his seat with E.



Finally, V throws the dice and gets 1 which means T exchanges his seat with G.

The final figure after the movement is as follows:



A and F are immediate neighbors of each other.

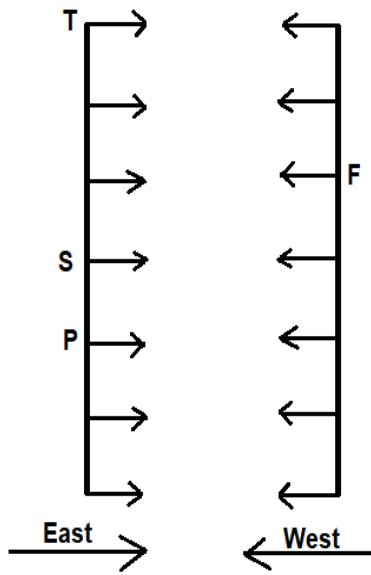
Q99) Explanation:

Start with T and P as one of them is sitting at the extreme end and T sits 4th to the left of P.

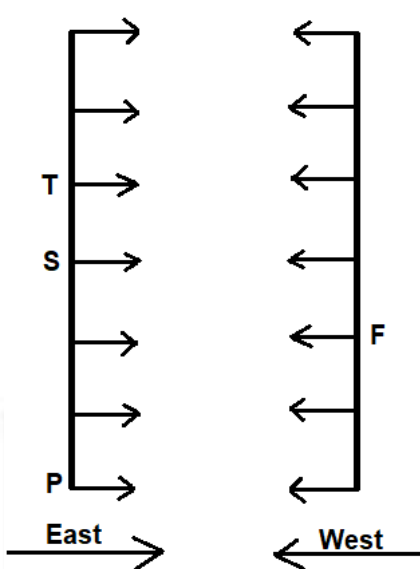
The one who faces P sits second to the left of F. S sits exactly in the middle of the row.

So, we have 2 possible cases i.e., either T or P sits at the extreme end.

Case I: When T sits at the extreme end:



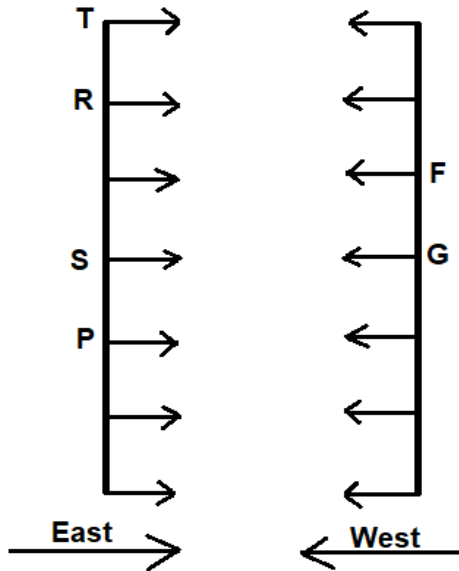
Case II: When P sits at the extreme end:



Number of persons sitting to the left of F is twice the number of persons sitting to the right of F. The one who faces P sits to the immediate left of G and that person is neither C nor D. Number of persons sit between P and R is same as the number of persons sit between T and S.

So, case II is rejected as number of persons sitting to the left is twice than the number of persons sitting to the right of F.

Now, 2 persons are sitting between T and S so, 2 persons are sitting P and R which means R must be sitting to the left of P.

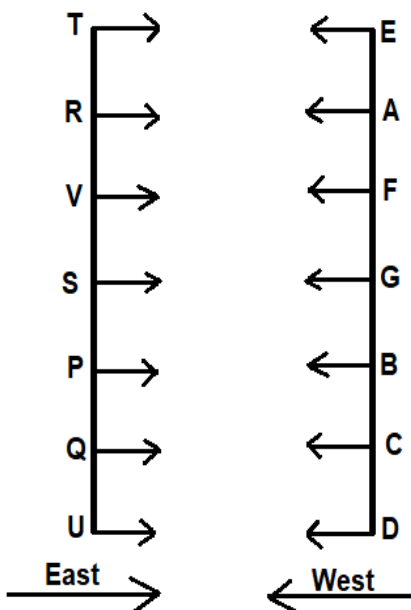


T neither faces C nor D. No one sit between S and V. At least two persons sit between G and E. R does not face B. At most one person sit between S and Q. U neither faces E nor C.

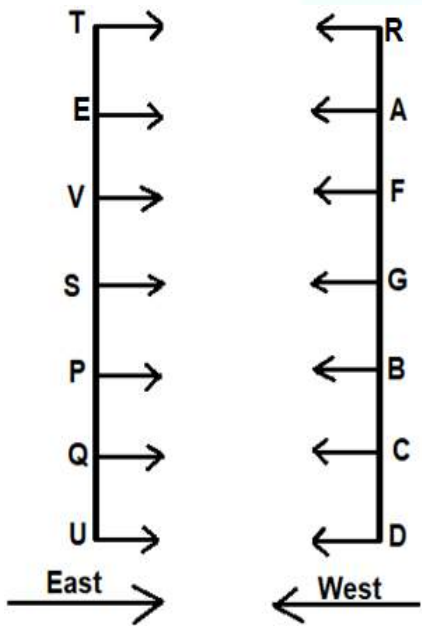
Now, E either sits to the left or right of G. Also, Q must be sitting 2nd to the right of S as at most one person sits between them. Now, we have left with one place in row 1 i.e., immediate right of Q so, U must be sitting immediate right of Q.

Now, If U sits immediate right of Q which means E must be sitting to the right of G as U neither face E nor C.

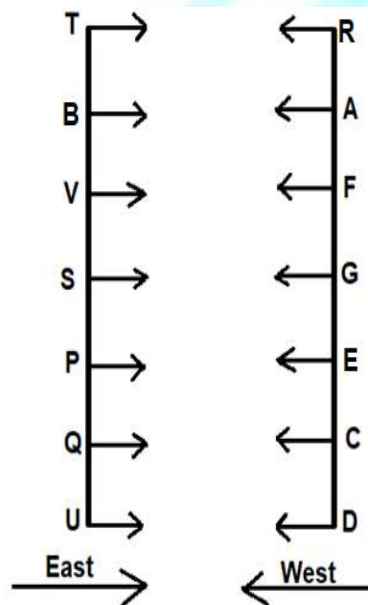
The final arrangement before the movement is as follows:



Now, A throws the dice and gets 4 which means R exchange his seat with E.



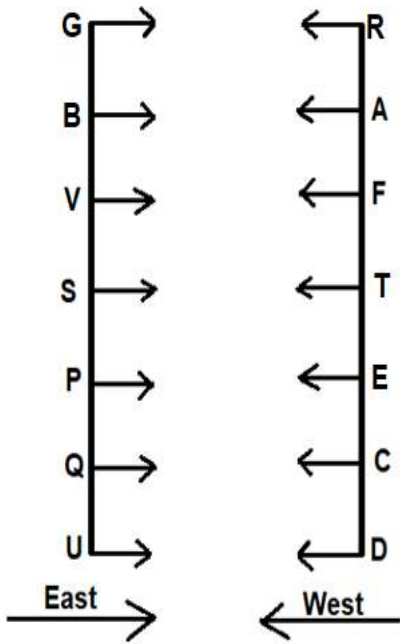
F throws the dice and gets 3 which means B exchanges his seat with E.



Finally, V throws the dice and gets 1 which means T exchanges his seat with G.

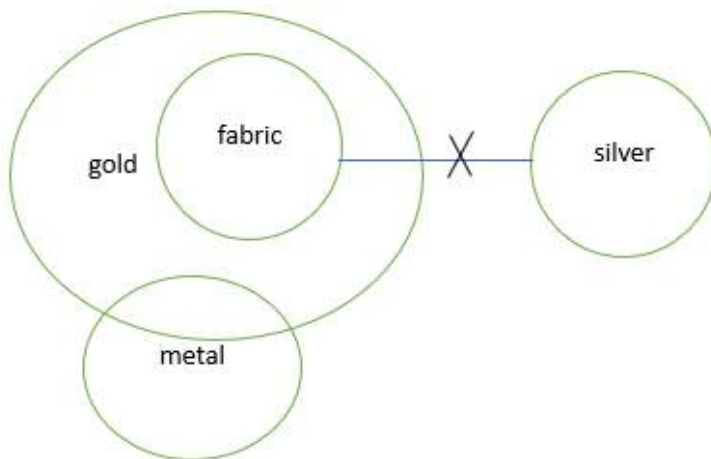
The final figure after the movement is as follows:

EduTap



B sits 4th to the left of Q after the movement.

Q100) **Explanation:**

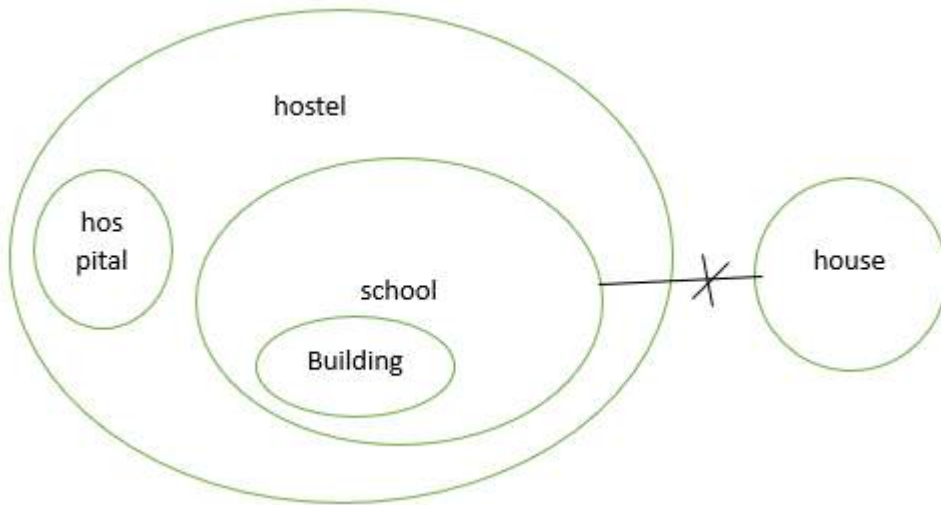


Some gold are not silver – this conclusion is true. The part of gold which is the part of fabric can never be the part of silver.

Some gold are fabric – this conclusion is true.

Option 3 is the right answer.

Q101) **Explanation:**



Some hospitals are building is a possibility – this conclusion is true. Hospitals and Buildings have no definite relation with each other so possibility is true.

Some hostels are not house – this conclusion is true. The part of hostel which is the part of school can never be part of house.

Option 3 is the right answer.

Q102) **Explanation:**

In order to ensure the statement that holds $V > Z$ and $K < Y$ definitely true, we have to check all the options one by one

1. $V > Z$ True

$K < Y$ False (opposite sign between K and Y)

2. $V > Z$ True

$K < Y$ False (opposite sign between K and Y)

3. $V > Z$ False ($V = Z$)

$K < Y$ True

4. $V > Z$ True

$K < Y$ True

5. $V > Z$ False ($Z > V$)

$K < Y$ False (opposite sign between K and Y)

Option 4 is the right answer.

Q103) Explanation:

In order to ensure the statement that holds $M \geq R$ definitely true, we have to check all the options one by one

1. $M \Rightarrow R$ False (opposite sign between M and R)
2. $M \Rightarrow R$ False ($M > R$)
3. $M \Rightarrow R$ False (opposite between M and R)
4. $M \Rightarrow R$ False (opposite sign between M and R)
5. $M \Rightarrow R$ True ($R \leq M$)

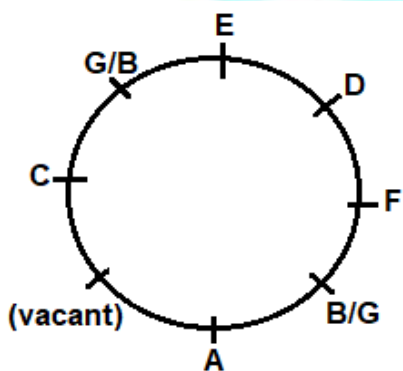
option 5 is the right answer.

Q104) Explanation:

Data in both statements I and II together are not necessary to answer the question i.e.,

From statement I:

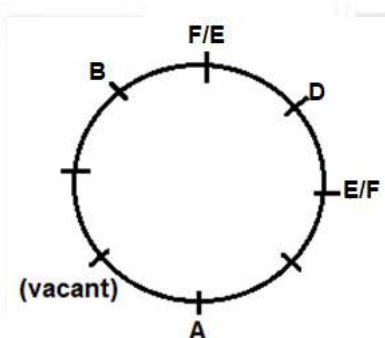
F sits second to the right of A and to the immediate left of D. One person sits between D and G. B sits opposite to G. C and D are not sitting adjacent to each other. So, we have,



So, statement I alone is not sufficient to answer the question.

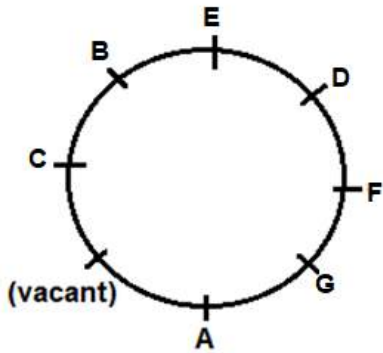
From statement II:

D sits third to right of A. B sits on the third seat to the left of A. One person sits between E and F but neither E nor F sits adjacent to A. E and F are not adjacent to vacant seat. So, we have,



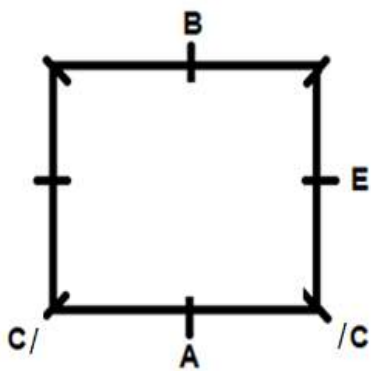
So, statement II alone is not sufficient to answer the question.

From statement I and II we get,



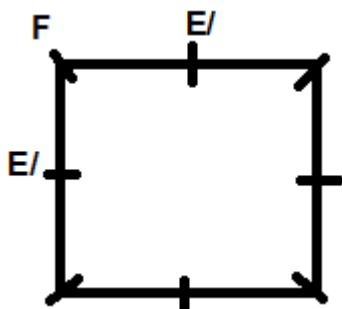
Q105) Explanation:

Only two persons sit between C and B when counted from the right of B. A is an immediate neighbor of C and faces towards the center. E sits second to the right of A. B is second to the right of E.



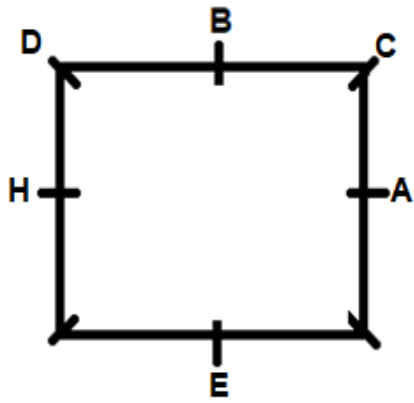
We don't have the information regarding the one, who sits second to the right of C.

From option (b): C is an immediate neighbor of A. Person, who is immediate left of C is sitting opposite to G. E and F are immediate neighbors of each other. F is sitting at the corner of the table.



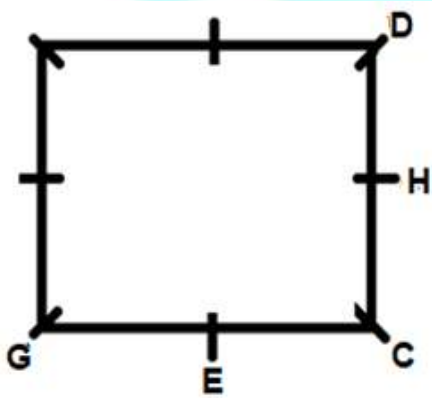
Further we can't fix anyone, so, option b is not sufficient to answer.

From option (c): A sits second to the right of E, who sits in the middle of the table. C is an immediate neighbor of A. D sits second to the left of C. H is an immediate neighbor of D. G sits one of the corners. B sits second to the right of A



So, G either sits immediate left or right of E so, option c also not sufficient to answer.

From option (d): Only two persons sit between H and G when counted from the left of H, who sits immediate right of D, who sits second to the left of C, who sits immediate right of E, who sits in the middle of the table.

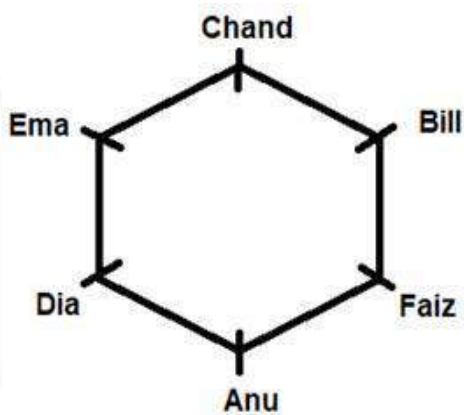


So, clearly G sits second to the right of C.

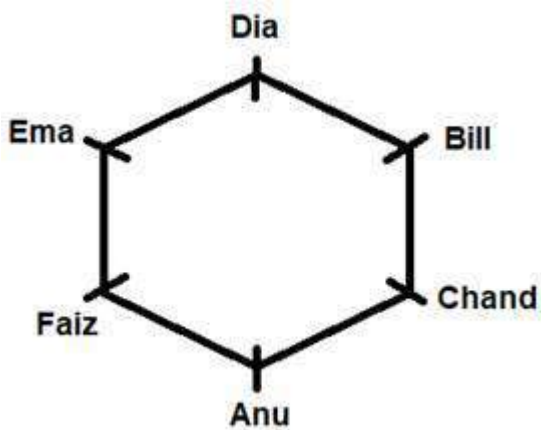
Q106) Explanation:

From statement I, Bill sits second to the right of Anu. Chand sits adjacent to Bill. Dia sits second to the right of Dia. Ema does not sit adjacent to Anu.

Case 1:

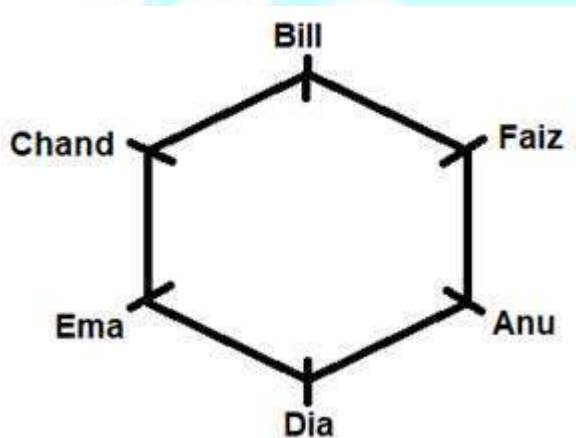


Case 2:



Either Anu or Ema sits immediate left of Faiz

From statement II, Ema sits adjacent to Dia. Chand sits adjacent to Bill. Dia sits second to the right of Chand. Faiz sits adjacent to Bill. Ana does not sit adjacent to Chand.



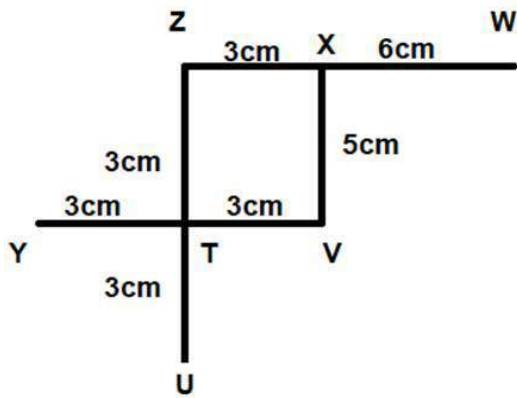
Anu sits immediate left of Faiz.

So, data in statement II alone is sufficient to answer the question, while data in statement I alone is not sufficient to answer the question.

Q107) Explanation:

From statement I, Y is 3cm to the west of T. V is 6cm to the east of Y. U is 3cm to the south of T. W is 9cm to the east of Z. X is 6cm to the west of W. V is 5cm to the south of X.

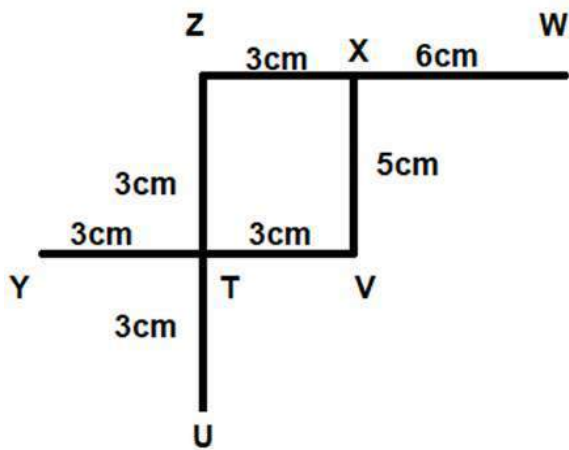
The following arrangement can be drawn from the given statements:



So, W is to the northeast of U.

From statement II, Z is 6cm to the north of U. X is 3cm east of Z. V is 5cm south of X. Y is 6cm west of V. T is the midpoint of Y and V. W, which is in east of X, is 13cm to the northeast of Y.

The following arrangement can be drawn from the given statements:



So, W is to the northeast of U.

So, data either in statement I alone or in statement II alone is sufficient to answer the question.

Q108) Explanation:

- F was exactly to the east of B
- B lived exactly above C but not in the same building.
- C and F did not live in the same building

	B	F
C		

Or

B		F
	C	

Or

B	F	
		C

I was exactly to the east of C. Thus, 3rd arrangement becomes invalid.

- B and E lived on consecutive floors of the same building
- I and E did not live in the same building.
- G lived immediately below E
- B and G did not have the same floor number

Case 1:

	E	
G	B	F
C		I

Case 1a:

	B	F
C	E	I
G/		/G

Case 2:

E		
B	G	F
	C	I

Case 2a:

B		F
---	--	---

E	C	I
	G/	G/

- D's floor number was twice as that of J's floor number.
- J lived in building Q. Q had prime numbered floors and J lived on the floor that was 3rd from the top
- The number of floors in I's building was 3 less than that in building Q

Building Q	Building R (I's building)	J's floor	D's floor
3	Invalid	1	2
5	2	3	6
7	4	5	10

The 2nd case of above chart is invalid as in every possible case made above building R has at least 3 floors.

As there cannot be more than 10 floors, D's floor will be the topmost floor, thus, building P had 10 floors.

Building Q	Building R (I's building)	J's floor	D's floor
7	4	5	10

	P	Q	R
10	D		
9			
8			
7			
6			
5		J	
4			
3			
2			
1			

- A was exactly to the west of H
- H was not in building R. Thus, A was in building P and H was in building Q.
- A's floor number was thrice as that of C's floor number. A's floor number can be 3 or 6. 9 is not possible as H will not be placed in that case

	P	Q	R
10	D		
9			
8			
7			
6			
5		J	
4			
3	A	H	
2			
1			

	P	Q	R
10	D		
9			
8			
7			
6	A	H	
5		J	
4			
3			
2			
1			

- I was exactly to the east of C. C was on floor 1 or 2 as seen from above.
- B and E lived on consecutive floors of the same building
- I and E did not live in the same building.
- G lived immediately below E
- B and G did not have the same floor number
- C and G did not live in the same building

Case 1a:

	B	F
C	E	I
		G

Case 2a:

B		F
E	C	I
		G

Combining the 2 diagrams:

	P	Q	R
10	D		
9			
8			
7			
6	A	H	
5		J	
4			
3		B	F
2	C	E	I
1			G

	P	Q	R
10	D		
9			
8			
7			
6	A	H	
5		J	
4			
3	B		F
2	E	C	I
1			G

· Not more than 3 flats were taken in building P. Thus, 2nd arrangement becomes invalid.

The final arrangement will be as follows

	P	Q	R
10	D		
9			
8			
7			
6	A	H	
5		J	
4			
3		B	F
2	C	E	I
1			G

There were 10 floors in building P

Q109) Explanation:

- F was exactly to the east of B
- B lived exactly above C but not in the same building.
- C and F did not live in the same building

	B	F
C		

Or

B		F
	C	

Or

B	F	
		C

- I was exactly to the east of C. Thus, 3rd arrangement becomes invalid.
- B and E lived on consecutive floors of the same building
- I and E did not live in the same building.
- G lived immediately below E
- B and G did not have the same floor number

Case 1:

	E	
G	B	F
C		I

Case 1a:

	B	F
C	E	I
G/		/G

Case 2:

E		
B	G	F
	C	I

Case 2a:

B		F
---	--	---

E	C	I
	G/	G/

- D's floor number was twice as that of J's floor number.
- J lived in building Q. Q had prime numbered floors and J lived on the floor that was 3rd from the top
- The number of floors in I's building was 3 less than that in building Q

Building Q	Building R (I's building)	J's floor	D's floor
3	Invalid	1	2
5	2	3	6
7	4	5	10

The 2nd case of above chart is invalid as in every possible case made above building R has at least 3 floors.

As there cannot be more than 10 floors, D's floor will be the topmost floor, thus, building P had 10 floors.

Building Q	Building R (I's building)	J's floor	D's floor
7	4	5	10

	P	Q	R
10	D		
9			
8			
7			
6			
5		J	
4			
3			
2			
1			

- A was exactly to the west of H
- H was not in building R. Thus, A was in building P and H was in building Q.
- A's floor number was thrice as that of C's floor number. A's floor number can be 3 or 6. 9 is not possible as H will not be placed in that case

	P	Q	R
10	D		
9			
8			
7			
6			
5		J	
4			
3	A	H	
2			
1			

	P	Q	R
10	D		
9			
8			
7			
6	A	H	
5		J	
4			
3			
2			
1			

- I was exactly to the east of C. C was on floor 1 or 2 as seen from above.
- B and E lived on consecutive floors of the same building
- I and E did not live in the same building.
- G lived immediately below E
- B and G did not have the same floor number
- C and G did not live in the same building

Case 1a:

	B	F
C	E	I
		G

Case 2a:

B		F
E	C	I
		G

Combining the 2 diagrams:

	P	Q	R
10	D		
9			
8			
7			
6	A	H	
5		J	
4			
3		B	F
2	C	E	I
1			G

	P	Q	R
10	D		
9			
8			
7			
6	A	H	
5		J	
4			
3	B		F
2	E	C	I
1			G

· Not more than 3 flats were taken in building P. Thus, 2nd arrangement becomes invalid.

The final arrangement will be as follows

	P	Q	R
10	D		
9			
8			
7			
6	A	H	
5		J	
4			
3		B	F
2	C	E	I
1			G

F lived on floor 3

Q110) Explanation:

- F was exactly to the east of B
- B lived exactly above C but not in the same building.
- C and F did not live in the same building

	B	F
C		

Or

B		F
	C	

Or

B	F	
		C

- I was exactly to the east of C. Thus, 3rd arrangement becomes invalid.
- B and E lived on consecutive floors of the same building
- I and E did not live in the same building.
- G lived immediately below E
- B and G did not have the same floor number

Case 1:

	E	
G	B	F
C		I

Case 1a:

	B	F
C	E	I
G/		/G

Case 2:

E		
B	G	F
	C	I

Case 2a:

B		F
---	--	---

E	C	I
	G/	G/

- D's floor number was twice as that of J's floor number.
- J lived in building Q. Q had prime numbered floors and J lived on the floor that was 3rd from the top
- The number of floors in I's building was 3 less than that in building Q

Building Q	Building R (I's building)	J's floor	D's floor
3	Invalid	1	2
5	2	3	6
7	4	5	10

The 2nd case of above chart is invalid as in every possible case made above building R has at least 3 floors.

As there cannot be more than 10 floors, D's floor will be the topmost floor, thus, building P had 10 floors.

Building Q	Building R (I's building)	J's floor	D's floor
7	4	5	10

	P	Q	R
10	D		
9			
8			
7			
6			
5		J	
4			
3			
2			
1			

- A was exactly to the west of H
- H was not in building R. Thus, A was in building P and H was in building Q.
- A's floor number was thrice as that of C's floor number. A's floor number can be 3 or 6. 9 is not possible as H will not be placed in that case

	P	Q	R
10	D		
9			
8			
7			
6			
5		J	
4			
3	A	H	
2			
1			

	P	Q	R
10	D		
9			
8			
7			
6	A	H	
5		J	
4			
3			
2			
1			

- I was exactly to the east of C. C was on floor 1 or 2 as seen from above.
- B and E lived on consecutive floors of the same building
- I and E did not live in the same building.
- G lived immediately below E
- B and G did not have the same floor number
- C and G did not live in the same building

Case 1a:

	B	F
C	E	I
		G

Case 2a:

B		F
E	C	I
		G

Combining the 2 diagrams:

	P	Q	R
10	D		
9			
8			
7			
6	A	H	
5		J	
4			
3		B	F
2	C	E	I
1			G

	P	Q	R
10	D		
9			
8			
7			
6	A	H	
5		J	
4			
3	B		F
2	E	C	I
1			G

· Not more than 3 flats were taken in building P. Thus, 2nd arrangement becomes invalid.

The final arrangement will be as follows

	P	Q	R
10	D		
9			
8			
7			
6	A	H	
5		J	
4			
3		B	F
2	C	E	I
1			G

Apart from A others lived in building Q

Q111) Explanation:

- F was exactly to the east of B
- B lived exactly above C but not in the same building.
- C and F did not live in the same building

	B	F
C		

Or

B		F
	C	

Or

B	F	
		C

- I was exactly to the east of C. Thus, 3rd arrangement becomes invalid.
- B and E lived on consecutive floors of the same building
- I and E did not live in the same building.
- G lived immediately below E
- B and G did not have the same floor number

Case 1:

	E	
G	B	F
C		I

Case 1a:

	B	F
C	E	I
G/		/G

Case 2:

E		
B	G	F
	C	I

Case 2a:

B		F
---	--	---

E	C	I
	G/	G/

- D's floor number was twice as that of J's floor number.
- J lived in building Q. Q had prime numbered floors and J lived on the floor that was 3rd from the top
- The number of floors in I's building was 3 less than that in building Q

Building Q	Building R (I's building)	J's floor	D's floor
3	Invalid	1	2
5	2	3	6
7	4	5	10

The 2nd case of above chart is invalid as in every possible case made above building R has at least 3 floors.

As there cannot be more than 10 floors, D's floor will be the topmost floor, thus, building P had 10 floors.

Building Q	Building R (I's building)	J's floor	D's floor
7	4	5	10

	P	Q	R
10	D		
9			
8			
7			
6			
5		J	
4			
3			
2			
1			

- A was exactly to the west of H
- H was not in building R. Thus, A was in building P and H was in building Q.
- A's floor number was thrice as that of C's floor number. A's floor number can be 3 or 6. 9 is not possible as H will not be placed in that case

	P	Q	R
10	D		
9			
8			
7			
6			
5		J	
4			
3	A	H	
2			
1			

	P	Q	R
10	D		
9			
8			
7			
6	A	H	
5		J	
4			
3			
2			
1			

- I was exactly to the east of C. C was on floor 1 or 2 as seen from above.
- B and E lived on consecutive floors of the same building
- I and E did not live in the same building.
- G lived immediately below E
- B and G did not have the same floor number
- C and G did not live in the same building

Case 1a:

	B	F
C	E	I
		G

Case 2a:

B		F
E	C	I
		G

Combining the 2 diagrams:

	P	Q	R
10	D		
9			
8			
7			
6	A	H	
5		J	
4			
3		B	F
2	C	E	I
1			G

	P	Q	R
10	D		
9			
8			
7			
6	A	H	
5		J	
4			
3	B		F
2	E	C	I
1			G

· Not more than 3 flats were taken in building P. Thus, 2nd arrangement becomes invalid.

The final arrangement will be as follows

	P	Q	R
10	D		
9			
8			
7			
6	A	H	
5		J	
4			
3		B	F
2	C	E	I
1			G

Building P had 10 floors and Q had 7 floors

Q112) Explanation:

- F was exactly to the east of B
- B lived exactly above C but not in the same building.
- C and F did not live in the same building

	B	F
C		

Or

B		F
	C	

Or

B	F	
		C

- I was exactly to the east of C. Thus, 3rd arrangement becomes invalid.
- B and E lived on consecutive floors of the same building
- I and E did not live in the same building.
- G lived immediately below E
- B and G did not have the same floor number

Case 1:

	E	
G	B	F
C		I

Case 1a:

	B	F
C	E	I
G/		/G

Case 2:

E		
B	G	F
	C	I

Case 2a:

B		F
---	--	---

E	C	I
	G/	G/

- D's floor number was twice as that of J's floor number.
- J lived in building Q. Q had prime numbered floors and J lived on the floor that was 3rd from the top
- The number of floors in I's building was 3 less than that in building Q

Building Q	Building R (I's building)	J's floor	D's floor
3	Invalid	1	2
5	2	3	6
7	4	5	10

The 2nd case of above chart is invalid as in every possible case made above building R has at least 3 floors.

As there cannot be more than 10 floors, D's floor will be the topmost floor, thus, building P had 10 floors.

Building Q	Building R (I's building)	J's floor	D's floor
7	4	5	10

	P	Q	R
10	D		
9			
8			
7			
6			
5		J	
4			
3			
2			
1			

- A was exactly to the west of H
- H was not in building R. Thus, A was in building P and H was in building Q.
- A's floor number was thrice as that of C's floor number. A's floor number can be 3 or 6. 9 is not possible as H will not be placed in that case

	P	Q	R
10	D		
9			
8			
7			
6			
5		J	
4			
3	A	H	
2			
1			

	P	Q	R
10	D		
9			
8			
7			
6	A	H	
5		J	
4			
3			
2			
1			

- I was exactly to the east of C. C was on floor 1 or 2 as seen from above.
- B and E lived on consecutive floors of the same building
- I and E did not live in the same building.
- G lived immediately below E
- B and G did not have the same floor number
- C and G did not live in the same building

Case 1a:

	B	F
C	E	I
		G

Case 2a:

B		F
E	C	I
		G

Combining the 2 diagrams:

	P	Q	R
10	D		
9			
8			
7			
6	A	H	
5		J	
4			
3		B	F
2	C	E	I
1			G

	P	Q	R
10	D		
9			
8			
7			
6	A	H	
5		J	
4			
3	B		F
2	E	C	I
1			G

· Not more than 3 flats were taken in building P. Thus, 2nd arrangement becomes invalid.

The final arrangement will be as follows

	P	Q	R
10	D		
9			
8			
7			
6	A	H	
5		J	
4			
3		B	F
2	C	E	I
1			G

H lived on floor 6 and F lived on floor 3

Q113) Explanation:

How words are arranged in the final step: Words get arranged alphabetically from the middle. First word is at fifth position and opposite of this word is at sixth position. Next word is at fourth position and opposite of this word is at seventh position and so on.

In first step, one word is getting arranged from left side alphabetically and opposite word is getting arranged from right side. In each further steps, same procedure is followed as in the first step and words arranged in previous step are shifting one place to their right and opposite words are shifting one place to their left alphabetically.

Input: jeopradize entrust safeguard withdraw anxiety lengthen secular abridge spiritual ease.

Step1: abridge jeopradize entrust safeguard withdraw anxiety secular spiritual ease lengthen.

Step2: anxiety abridge jeopradize entrust safeguard withdraw secular spiritual lengthen ease.

Step3: entrust anxiety abridge jeopradize safeguard secular spiritual lengthen ease withdraw.

Step4: jeopradize entrust anxiety abridge secular spiritual lengthen ease withdraw safeguard.

Step5: secular jeopradize entrust anxiety abridge lengthen ease withdraw safeguard spiritual

Step4: jeopradize entrust anxiety abridge secular spiritual lengthen ease withdraw safeguard.

Option 4 is the right answer.

Q114) Explanation:

How words are arranged in the final step: Words get arranged alphabetically from the middle. First word is at fifth position and opposite of this word is at sixth position. Next word is at fourth position and opposite of this word is at seventh position and so on.

In first step, one word is getting arranged from left side alphabetically and opposite word is getting arranged from right side. In each further steps, same procedure is followed as in the first step and words arranged in previous step are shifting one place to their right and opposite words are shifting one place to their left alphabetically.

Input: jeopradize entrust safeguard withdraw anxiety lengthen secular abridge spiritual ease.

Step1: abridge jeopradize entrust safeguard withdraw anxiety secular spiritual ease lengthen.

Step2: anxiety abridge jeopradize entrust safeguard withdraw secular spiritual lengthen ease.

Step3: entrust anxiety abridge jeopradize safeguard secular spiritual lengthen ease withdraw.

Step4: jeopradize entrust anxiety abridge secular spiritual lengthen ease withdraw safeguard.

Step5: secular jeopradize entrust anxiety abridge lengthen ease withdraw safeguard spiritual

Option 3 is the right answer.

Q115) Explanation:

How words are arranged in the final step: Words get arranged alphabetically from the middle. First word is at fifth position and opposite of this word is at sixth position. Next word is at fourth position and opposite of this word is at seventh position and so on.

In first step, one word is getting arranged from left side alphabetically and opposite word is getting arranged from right side. In each further steps, same procedure is followed as in the first step and words arranged in previous step are shifting one place to their right and opposite words are shifting one place to their left alphabetically.

Input: jeopradize entrust safeguard withdraw anxiety lengthen secular abridge spiritual ease.

Step1: abridge jeopradize entrust safeguard withdraw anxiety secular spiritual ease lengthen.

Step2: anxiety abridge jeopradize entrust safeguard withdraw secular spiritual lengthen ease.

Step3: entrust anxiety abridge jeopradize safeguard secular spiritual lengthen ease withdraw.

Step4: jeopradize entrust anxiety abridge secular spiritual lengthen ease withdraw safeguard.

Step5: secular jeopradize entrust anxiety abridge lengthen ease withdraw safeguard spiritual

Option 1 is the right answer.

Q116) Explanation:

How words are arranged in the final step: Words get arranged alphabetically from the middle. First word is at fifth position and opposite of this word is at sixth position. Next word is at fourth position and opposite of this word is at seventh position and so on.

In first step, one word is getting arranged from left side alphabetically and opposite word is getting arranged from right side. In each further steps, same procedure is followed as in the first step and words arranged in previous step are shifting one place to their right and opposite words are shifting one place to their left alphabetically.

Input: jeopradize entrust safeguard withdraw anxiety lengthen secular abridge spiritual ease.

Step1: abridge jeopradize entrust safeguard withdraw anxiety secular spiritual ease lengthen.

Step2: anxiety abridge jeopradize entrust safeguard withdraw secular spiritual lengthen ease.

Step3: entrust anxiety abridge jeopradize safeguard secular spiritual lengthen ease withdraw.

Step4: jeopradize entrust anxiety abridge secular spiritual lengthen ease withdraw safeguard.

Step5: secular jeopradize entrust anxiety abridge lengthen ease withdraw safeguard spiritual

Step2: anxiety abridge jeopradize entrust safeguard withdraw secular spiritual lengthen ease.

Option 5 is the right answer.

Q117) Explanation:

How words are arranged in the final step: Words get arranged alphabetically from the middle. First word is at fifth position and opposite of this word is at sixth position. Next word is at fourth position and opposite of this word is at seventh position and so on.

In first step, one word is getting arranged from left side alphabetically and opposite word is getting arranged from right side. In each further steps, same procedure is followed as in the first step and words arranged in previous step are shifting one place to their right and opposite words are shifting one place to their left alphabetically.

Input: jeopradize entrust safeguard withdraw anxiety lengthen secular abridge spiritual ease.

Step1: abridge jeopradize entrust safeguard withdraw anxiety secular spiritual ease lengthen.

Step2: anxiety abridge jeopradize entrust safeguard withdraw secular spiritual lengthen ease.

Step3: entrust anxiety abridge jeopradize safeguard secular spiritual lengthen ease withdraw.

Step4: jeopradize entrust anxiety abridge secular spiritual lengthen ease withdraw safeguard.

Step5: secular jeopradize entrust anxiety abridge lengthen ease withdraw safeguard spiritual

Step4: jeopradize entrust anxiety abridge secular spiritual lengthen ease withdraw safeguard.

Secular is 6th from right end

Option 4 is the right answer.

Q118) Explanation:

Detailed solution:

F, who is sitting 2nd to the right of Q, is sitting opposite to A.

No one is sitting in the left of A.

Three persons are sitting between A and M.

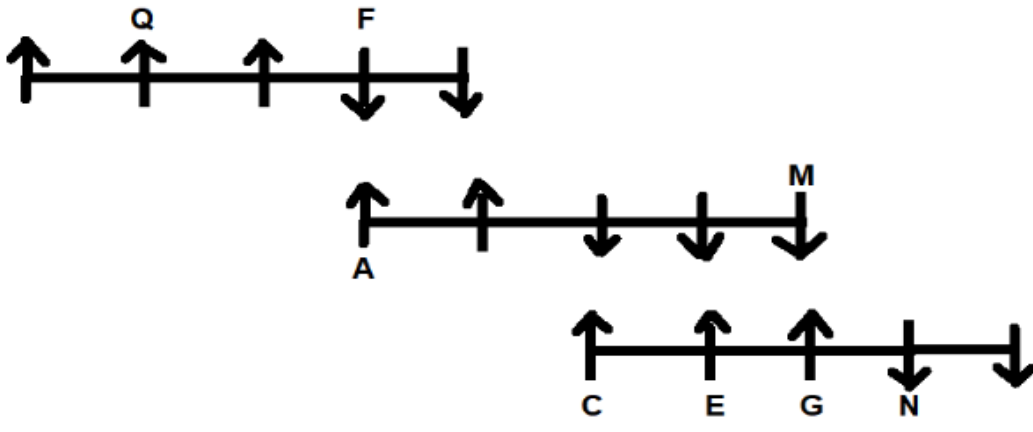
F is facing south.

G is sitting 2nd to the right of C and both of them are facing the north.

E is sitting in the left of G.

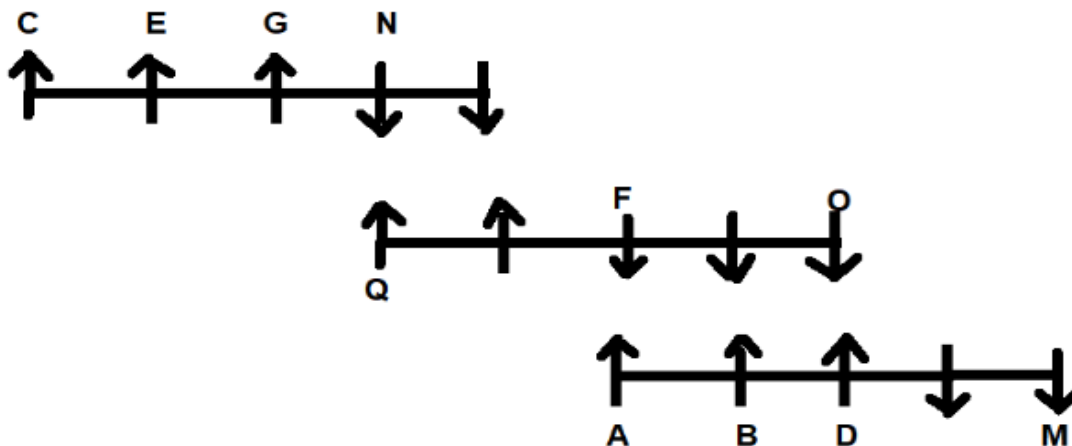
One person is sitting between E and N.

Case 1: When Q is sitting 2nd from the left end in row 1. B is sitting to the immediate left of D, who is sitting opposite to O, who is not sitting adjacent to A, so this case is not possible.



S and P are sitting opposite to each other.

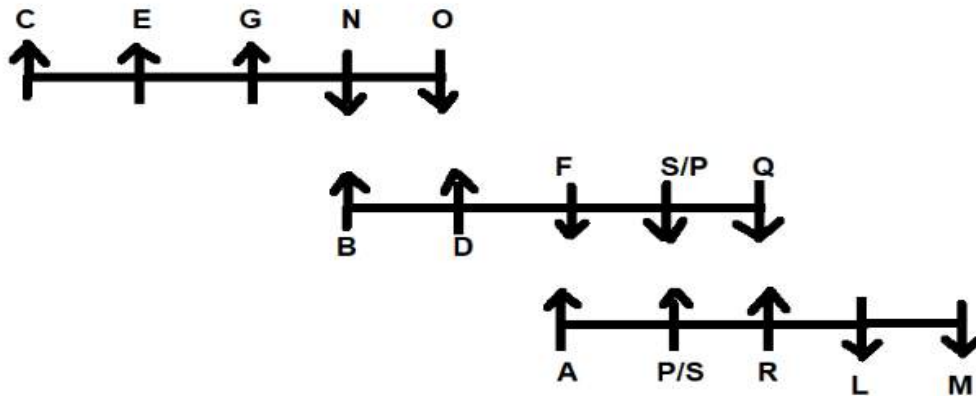
Case 2: When Q is sitting at the left end of row 2. Neither S nor P is sitting in row 1, so this case is not possible.



R is not sitting adjacent to M.

Case 3: When Q is sitting at the right end of row 2.

The final arrangement is as follows:



All of them are facing south, except C.

Q119) Explanation:

F, who is sitting 2nd to the right of Q, is sitting opposite to A.

No one is sitting in the left of A.

Three persons are sitting between A and M.

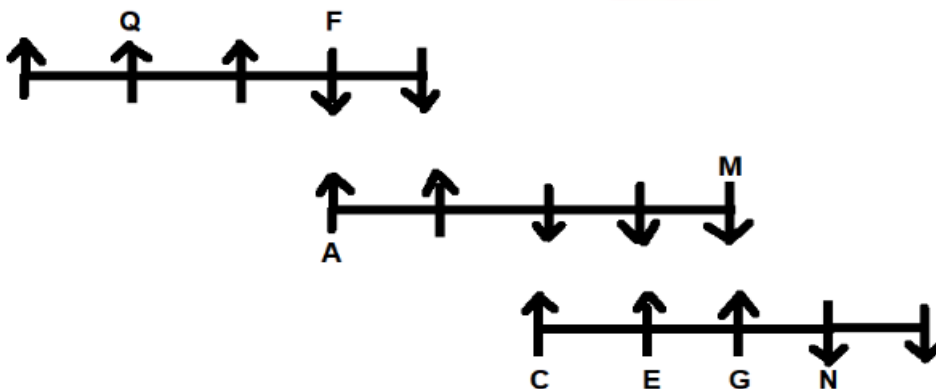
F is facing south.

G is sitting 2nd to the right of C and both of them are facing the north.

E is sitting in the left of G.

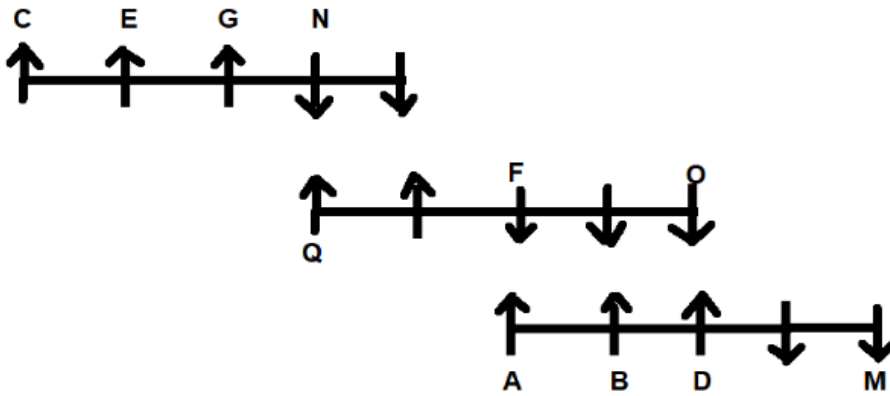
One person is sitting between E and N.

Case 1: When Q is sitting 2nd from the left end in row 1. B is sitting to the immediate left of D, who is sitting opposite to O, who is not sitting adjacent to A, so this case is not possible.



S and P are sitting opposite to each other.

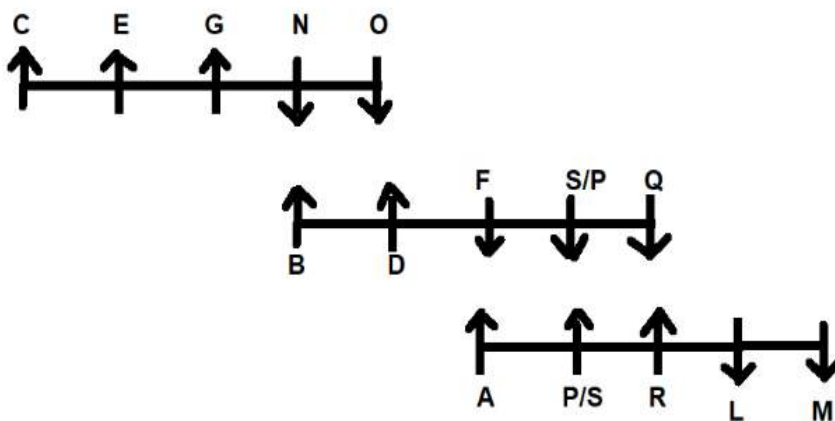
Case 2: When Q is sitting at the left end of row 2. Neither S nor P is sitting in row 1, so this case is not possible.



R is not sitting adjacent to M.

Case 3: When Q is sitting at the right end of row 2.

The final arrangement is as follows:



One person is sitting in the left of S.

Q120) Explanation:

F, who is sitting 2nd to the right of Q, is sitting opposite to A.

No one is sitting in the left of A.

Three persons are sitting between A and M.

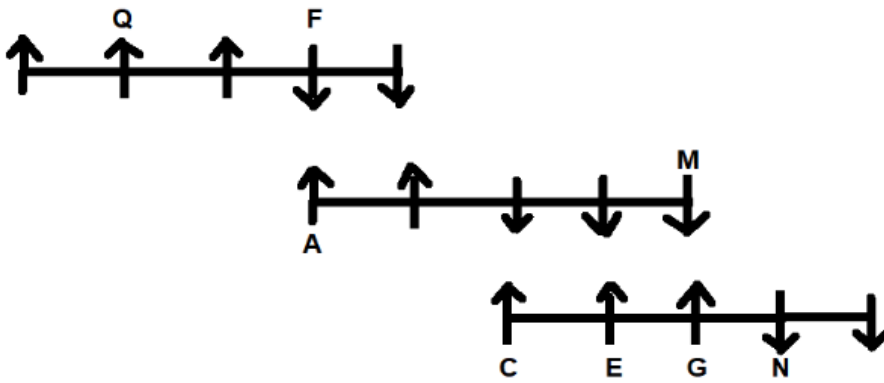
F is facing south.

G is sitting 2nd to the right of C and both of them are facing the north.

E is sitting in the left of G.

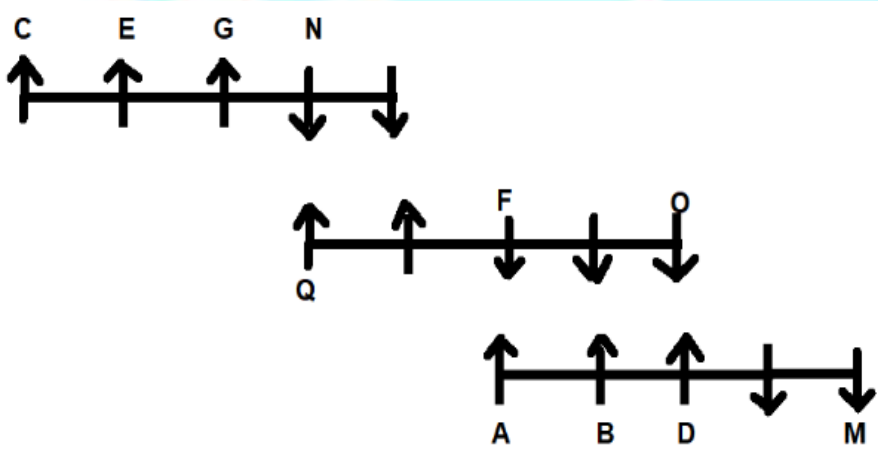
One person is sitting between E and N.

Case 1: When Q is sitting 2nd from the left end in row 1. B is sitting to the immediate left of D, who is sitting opposite to O, who is not sitting adjacent to A, so this case is not possible.



S and P are sitting opposite to each other.

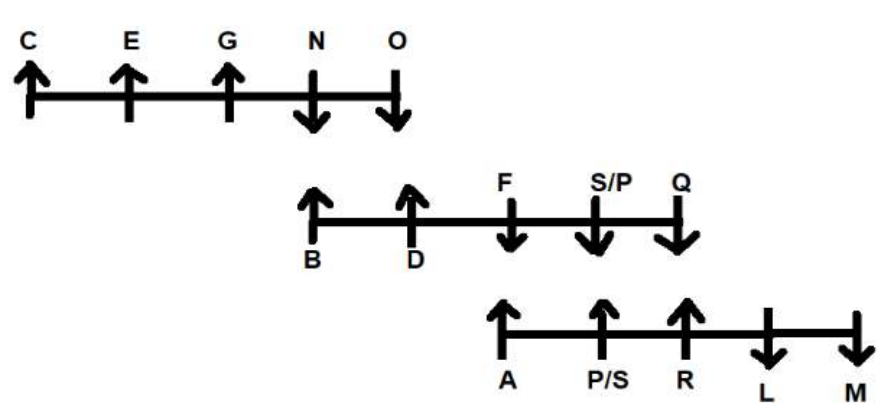
Case 2: When Q is sitting at the left end of row 2. Neither S nor P is sitting in row 1, so this case is not possible.



R is not sitting adjacent to M.

Case 3: When Q is sitting at the right end of row 2.

The final arrangement is as follows:



Two persons are sitting between Q and D.

Q121) Explanation:

F, who is sitting 2nd to the right of Q, is sitting opposite to A.

No one is sitting in the left of A.

Three persons are sitting between A and M.

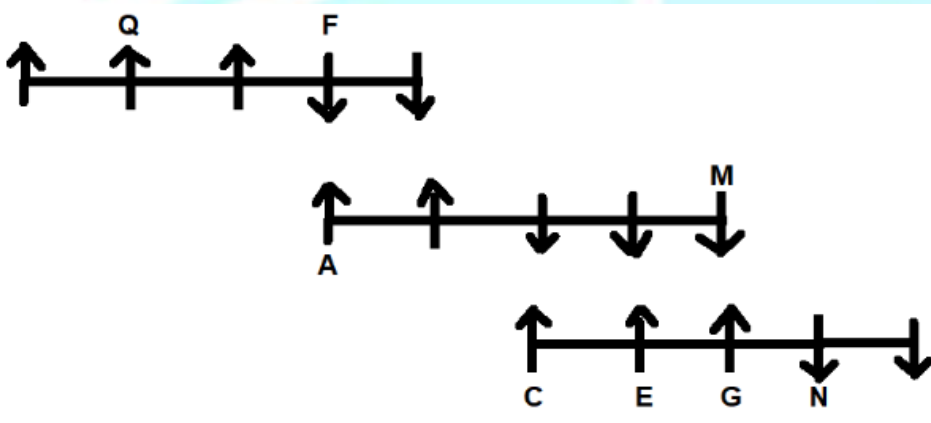
F is facing south.

G is sitting 2nd to the right of C and both of them are facing the north.

E is sitting in the left of G.

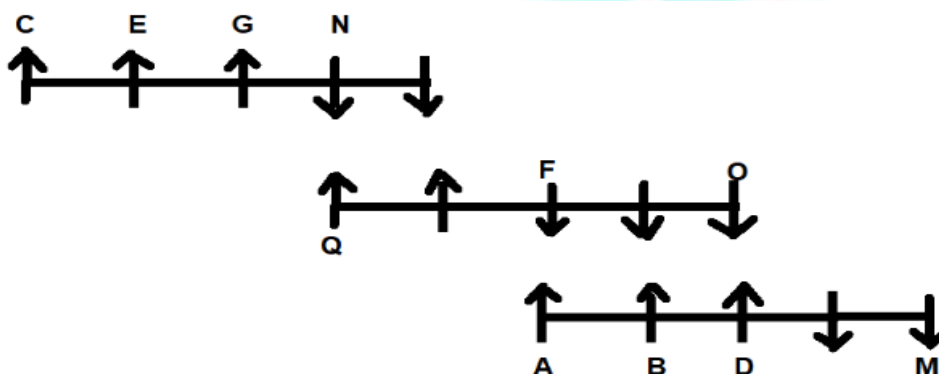
One person is sitting between E and N.

Case 1: When Q is sitting 2nd from the left end in row 1. B is sitting to the immediate left of D, who is sitting opposite to O, who is not sitting adjacent to A, so this case is not possible.



S and P are sitting opposite to each other.

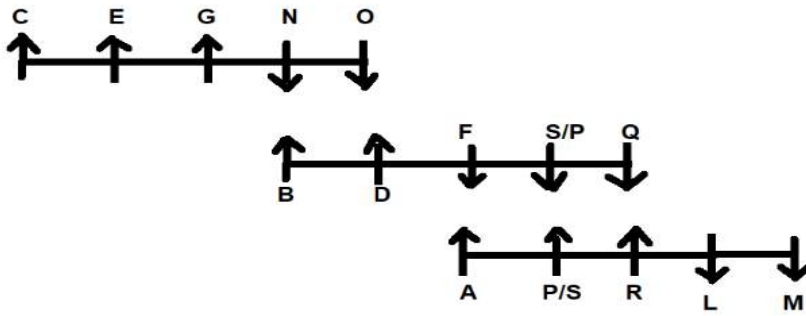
Case 2: When Q is sitting at the left end of row 2. Neither S nor P is sitting in row 1, so this case is not possible.



R is not sitting adjacent to M.

Case 3: When Q is sitting at the right end of row 2.

The final arrangement is as follows:



N is sitting opposite to B.

Q122) Explanation:

F, who is sitting 2nd to the right of Q, is sitting opposite to A.

No one is sitting in the left of A.

Three persons are sitting between A and M.

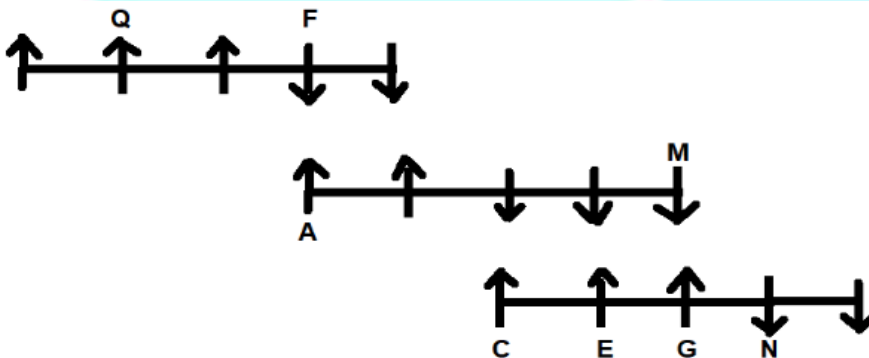
F is facing south.

G is sitting 2nd to the right of C and both of them are facing the north.

E is sitting in the left of G.

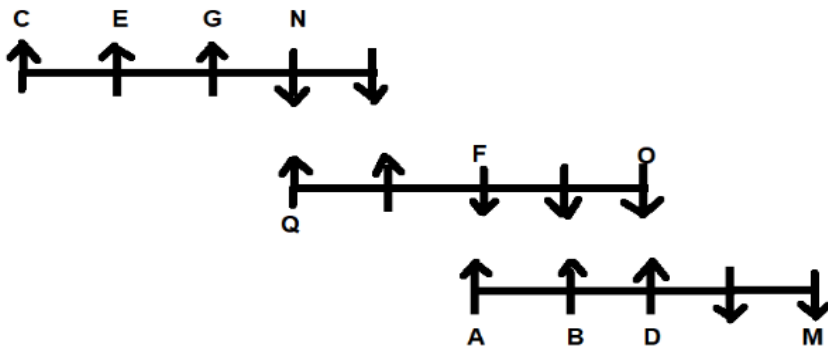
One person is sitting between E and N.

Case 1: When Q is sitting 2nd from the left end in row 1. B is sitting to the immediate left of D, who is sitting opposite to O, who is not sitting adjacent to A, so this case is not possible.



S and P are sitting opposite to each other.

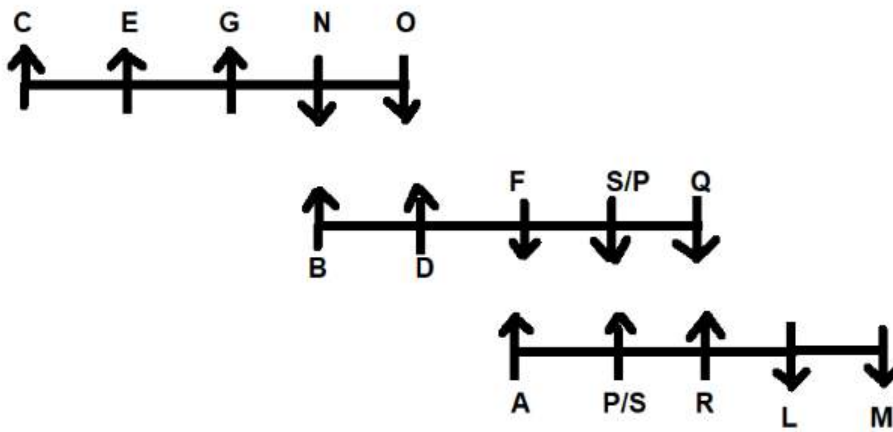
Case 2: When Q is sitting at the left end of row 2. Neither S nor P is sitting in row 1, so this case is not possible.



R is not sitting adjacent to M.

Case 3: When Q is sitting at the right end of row 2.

The final arrangement is as follows:



R is sitting in the middle of row 3.

Q123) Explanation:

The situation tells us how, in the future, we will manipulate objects using AR and explore VR worlds. This would combine the real and digital worlds. II and III strengthen the given argument by talking about different ways in which augmented is helping blend digital and virtual worlds: II talks about the shift from office commute to virtual meetings, necessitated by the pandemic; III talks about a company using augmented reality to show how sunglasses look on one's face and how the world would look like through different lenses.

Q124) Explanation:

The passage tells us that Drug manufacturing company Pfizer anticipates a significant number of vaccine sales. All of the statements can be possible reasons for the situation described in the passage. I states that about two-thirds of England's population is yet to be vaccinated, which can be a reason for the increase in sales of the vaccines. II states that many countries have been competing to vaccinate their populations, which can also be a reason for the increase in the sales of vaccines. III tells us about the initiative of the NHS to ensure equal uptake of vaccine regardless of categories, which can be a reason as well.

Q125) Explanation:

The situation tells us how some organisations have declared a national adolescent mental health emergency, and how this may be behind a rise in the number of school shooting incidents in the US. III tells us how adolescents are not able to talk to a trusted adult as people now live in nuclear families, which makes it difficult for adolescents to consult a trusted adult. It may be a possible reason behind the worsening mental health among adolescents.

I and II are incorrect as they provide possible effects of the worsening adolescent mental health.

Q126) Explanation:

Play – 9x?

Symbol – according to first letter of the word

C - !

B - \$

S - #

H - &

K - %

O - @

M - *

P - ?

Number logic – difference in place values of first and last letter

In 'Play' – first letter is P and place of P is 16 and last letter is y and place of y is 25

Difference = $25 - 16 = 9$

Letter logic – opposite of 3rd letter from left end minus 2

In 'Play' – third letter from left end is A and opposite of A is Z and place value of Z is 26. $26 - 2 = 24$.
Place value of X is 24.

So, code for Play is 9x?

Mentioned – 9k*

Option 1 is the right answer.

Q127) Explanation:

Play – 9x?

Symbol – according to first letter of the word

C - !

B - \$

S - #

H - &

K - %

O - @

M - *

P - ?

Number logic – difference in place values of first and last letter

In 'Play' – first letter is P and place of P is 16 and last letter is y and place of y is 25

Difference = $25 - 16 = 9$

Letter logic – opposite of 3rd letter from left end minus 2

In 'Play' – third letter from left end is A and opposite of A is Z and place value of Z is 26. $26 - 2 = 24$.
Place value of X is 24.

So, code for Play is 9x?

Parenting – 9g?

Option 3 is the right answer.

Q128) Explanation:

Play – 9x?

Symbol – according to first letter of the word

C - !

B - \$

S - #

H - &

K - %

O - @

M - *

P - ?

Number logic – difference in place values of first and last letter

In 'Play' – first letter is P and place of P is 16 and last letter is y and place of y is 25

Difference = $25 - 16 = 9$

Letter logic – opposite of 3rd letter from left end minus 2

In 'Play' – third letter from left end is A and opposite of A is Z and place value of Z is 26. $26 - 2 = 24$.
Place value of X is 24.

So, code for Play is 9x?

Charisma – 2x!

Option 5 is the right answer

Q129) Explanation:

Play – 9x?

Symbol – according to first letter of the word

C - !

B - \$

S - #

H - &

K - %

O - @

M - *

P - ?

Number logic – difference in place values of first and last letter

In 'Play' – first letter is P and place of P is 16 and last letter is y and place of y is 25

Difference = $25 - 16 = 9$

Letter logic – opposite of 3rd letter from left end minus 2

In 'Play' – third letter from left end is A and opposite of A is Z and place value of Z is 26. $26 - 2 = 24$.
Place value of X is 24.

So, code for Play is 9x?

Vikram – 9n(

Q130) Explanation:

Play – 9x?

Symbol – according to first letter of the word

C - !

B - \$

S - #

H - &

K - %

O - @

M - *

P - ?

Number logic – difference in place values of first and last letter

In 'Play' – first letter is P and place of P is 16 and last letter is y and place of y is 25

Difference = $25 - 16 = 9$

Letter logic – opposite of 3rd letter from left end minus 2

In 'Play' – third letter from left end is A and opposite of A is Z and place value of Z is 26. $26 - 2 = 24$.
Place value of X is 24.

So, code for Play is 9x?

Banking selection – 5k\$ 5m#

Q131) Explanation:

The statement talks about whether OTT platforms should be required to obtain licences to operate in a country. I is a strong argument as it supports the statement by talking about creating a level playing field since telecom companies have to pay taxes and charges to provide these services. II is also a strong argument as it tells us how licensing will make sure that OTT platforms follow security requirements.

Q132) Explanation:

Argument I supports the main idea presented in the passage by acknowledging the importance of balancing economic goals with environmental protection for ensuring a sustainable future. It acknowledges the need to address environmental problems while pursuing economic growth.

On the other hand, argument II is weak because it contradicts the main idea presented in the passage. The passage argues that economic liberal ideas and globalization have raised questions about the ability of markets to solve energy and environmental problems. Therefore, the argument that economic liberal ideas and globalization help in conserving climate and there is no need to implement market-based solutions is not valid and weak.

Q133) Explanation:

The statement talks about extending GST exemption on export freight. I is a strong argument as it tells us how extending the exemption will not hurt government revenues while addressing exporters' liquidity concerns.

II is not a strong argument as it only mentions that the central government has the right to decide on providing exemptions from GST. It does not provide a reason supporting the extension of exemption.

Q134) Explanation:

The passage discusses the issue of generating a massive amount of photovoltaic waste in India due to the increasing installation of photovoltaic panels. The author argues that India needs to be prepared for this new problem, and two reasons are given for this. Firstly, clubbing PV waste with other e-waste could lead to confusion, and secondly, the waste generated from PV modules and their components is classified as 'hazardous waste' in India.

Therefore, the main conclusion of the argument is that India should formulate and implement provisions specific to PV waste treatment within the ambit of the e-waste guidelines, which is stated in option D.

Q135) Explanation:

I talks about the robusta bean, which lived in the shadow of the arabica bean, gaining popularity in the speciality coffee industry. II tells us how everyone is suddenly developing techniques to extract flavour from the robusta bean, which was not common a few years ago. Reasons such as increasing cost of the arabica bean or its limited availability could be behind this. Both I and II are effects of some common cause.

Q136) Explanation:

The passage argues that most Indians are known for hoarding, which is triggered by generations of struggling to survive. II tells us how a typical Indian family has a room exclusively for hoarding things. It would strengthen the above argument. III tells us how most Indians are worried about survival and therefore keep things for the future. It will also strengthen the above argument.

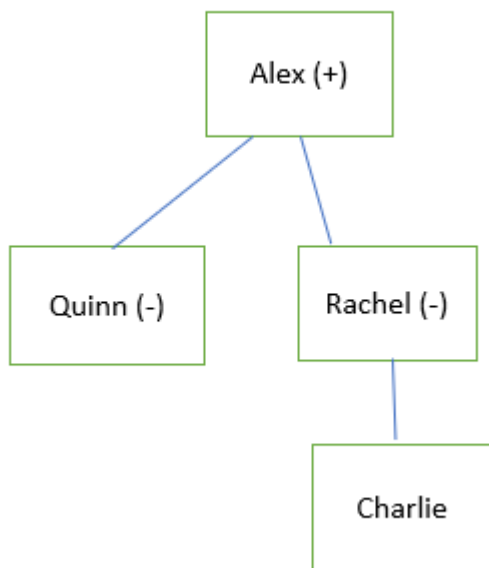
I is incorrect as it talks about the difference between collectors and hoarders and neither strengthens nor weakens the above argument.

Q137) Explanation:

Quinn is Rachel's sister.

Alex is the father of Rachel.

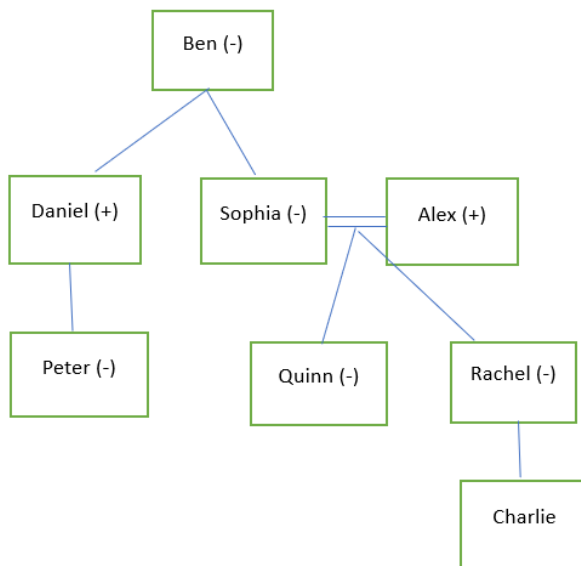
Rachel is mother of Charlie.



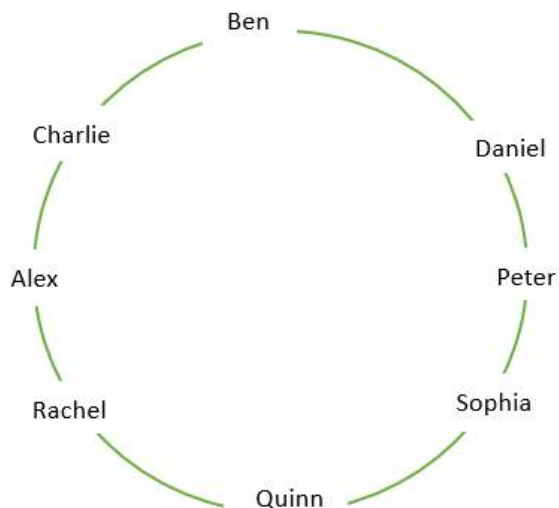
Sophia has a husband, a mother and a brother (Daniel).

Sophia is married to Alex.

Therefore, the final family diagram



From the above information, we get the arrangement



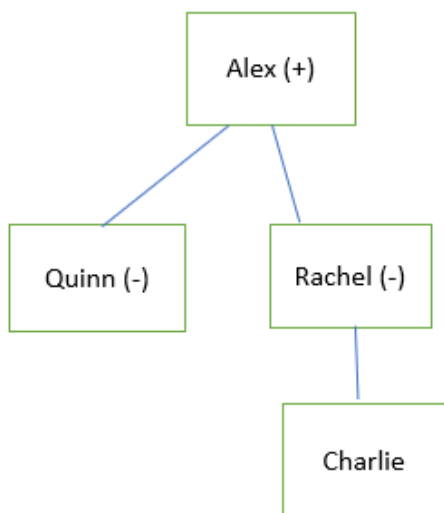
Alex is 2nd right of Ben

Q138) Explanation:

Quinn is Rachel's sister.

Alex is the father of Rachel.

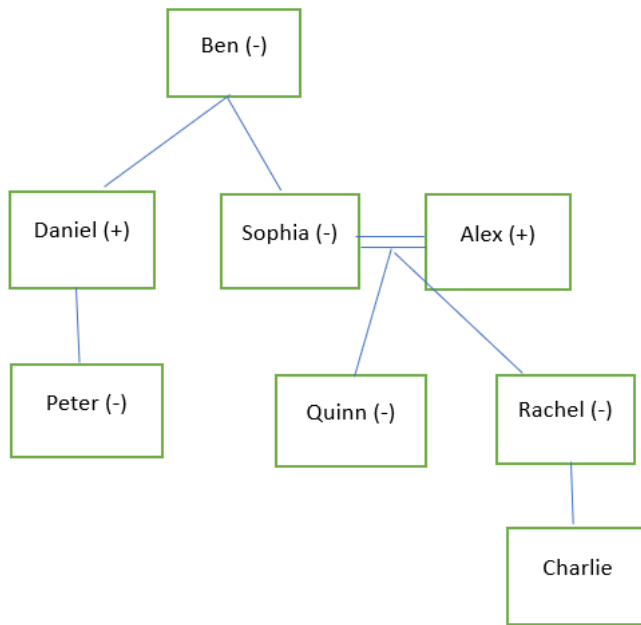
Rachel is mother of Charlie.



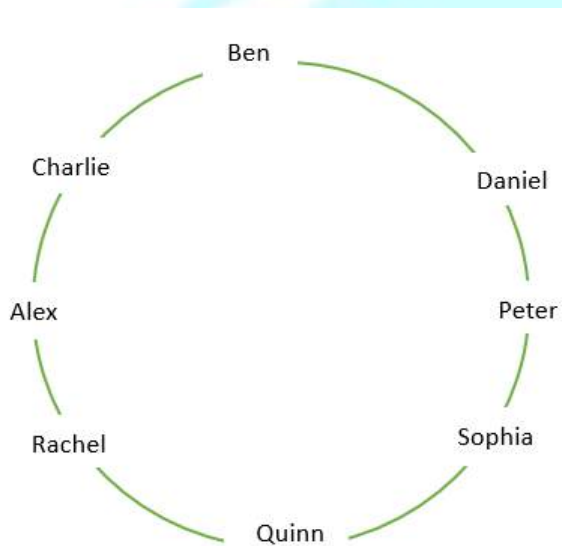
Sophia has a husband, a mother and a brother (Daniel).

Sophia is married to Alex.

Therefore, the final family diagram



From the above information, we get the arrangement



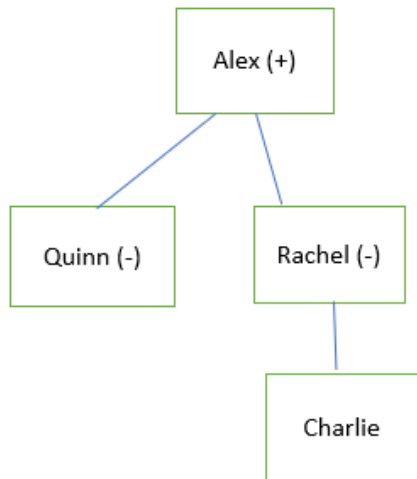
One person is seated between Quinn and Alex

Q139) Explanation:

Quinn is Rachel's sister.

Alex is the father of Rachel.

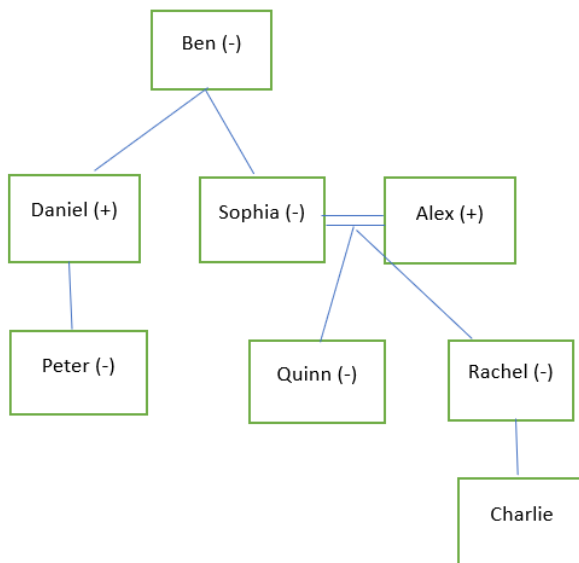
Rachel is mother of Charlie.



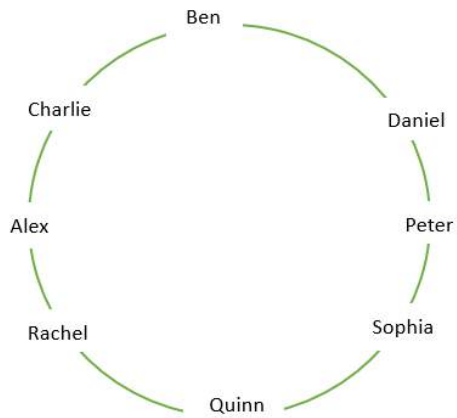
Sophia has a husband, a mother and a brother (Daniel).

Sophia is married to Alex.

Therefore, the final family diagram



From the above information, we get the arrangement



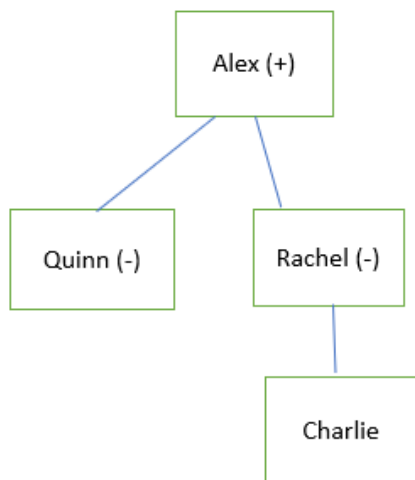
Quinn is the sister of Rachel.

Q140) Explanation:

Quinn is Rachel's sister.

Alex is the father of Rachel.

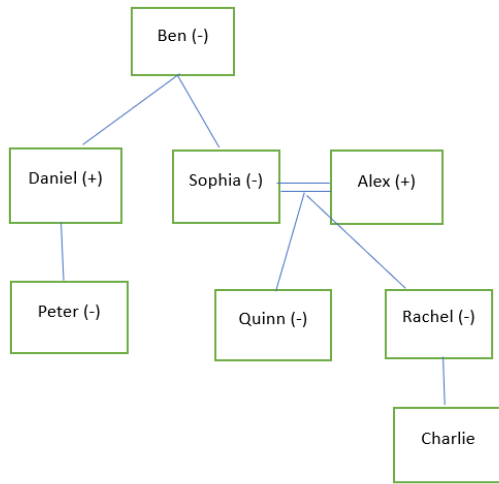
Rachel is mother of Charlie.



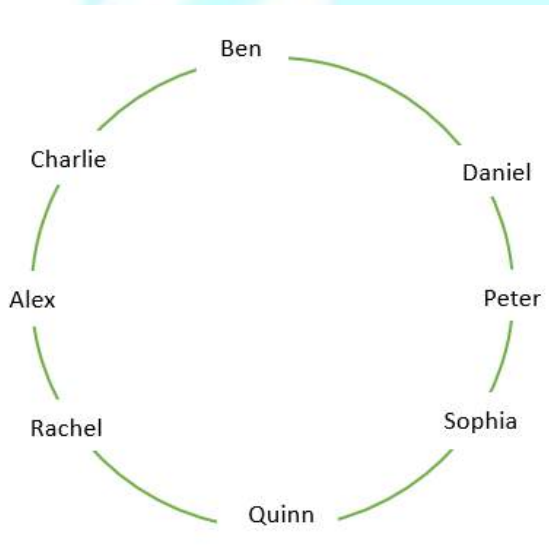
Sophia has a husband, a mother and a brother (Daniel).

Sophia is married to Alex.

Therefore, the final family diagram



From the above information, we get the arrangement



Peter's grandmother (Ben) is 4th to the right with respect to Quinn.

RBI Grade B 2023 - Recollected Questions

Section – English

Directions (141-147): Read the following passage and answer the questions based on the available information.

The National Education Policy (NEP) 2020 has rightfully identified 21st century skills as fundamental to developing creators. Critical thinking and problem solving, communication and collaboration, creativity and innovation, flexibility and adaptability, initiative and self-direction, social and cross-cultural interactions, and productivity and accountability all strengthen the individuals' abilities at the workplace.

Relying on traditional literacy and numeracy alone will not suffice and tends to marginalize differently abled learners. Educators could consider a design-based approach where students concentrate on a subject for two-three weeks to examine how it can be applied in the real world. But does our current classroom and content-heavy syllabus enable deep work? Also, how do we retrain teachers who have been trained in traditional systems? They know terms like 'constructivism' but do not know how it should be used in a classroom that is focused on exams rather than learning. And how ready are our future educators?

In a semester-long study that used Wikipedia as a pedagogical tool for teacher training, 65 pre-service (B.Ed) teachers were asked to improve the pages on Wikipedia related to educational concepts. Excluding a few, the content created by most participants was either sent back to them or deleted by neutral editors of

Wikipedia. The content, it was found, was plagiarised, did not provide citations, lacked basic writing and grammar skills, etc. After three iterative cycles that were emotionally **intense**, the teachers were able to contribute content to over 75 Wikipedia articles in English and over 50 articles in Kannada, Tamil, Telugu, Hindi, Malayalam, Gujarati, Assamese and Punjabi. All the content was related to educational technology. The critical feedback from various Wikipedia editors was crucial because it was unbiased. This feedback forced the learners to re-evaluate their skills. This shows that constant engagement, an emotional connection, and immersive learning are important parts of education. EdTech apps can deliver content that caters to multiple learning styles, learning curves and pace of learning. The pandemic has shown that traditional teacher and brick-and-mortar schools may become **obsolete** if radical pedagogical changes do not follow.

Q141. Which of the following measures has been suggested in the given passage for improvement of the education system?

- A. Educators will have to find ways to minimize their engagement strategies while integrating technology into their approach.
- B. Both (a) and (c)
- C. Educators can use a method in which students focus on a topic for a few weeks to see how it might be used in actuality.

D. An individual must be motivated enough to remain immersed in a specific activity to be creative and happy.

E. All are correct.

Q142. Which of the following were not among the shortcomings in the content provided by the teachers for the first time?

A. Copying was found in the content.

B. They just stated the obvious facts.

C. There were no references in the material.

D. Basic grammar and writing abilities were lacking in the text.

E. None is incorrect.

Q143. The author is in line with-

A. Children have lost all personal contact with their social group due to the pandemic.

B. The field of education is not evolving over time, with contemporary methods not able to find place in the classroom in a traditional setup.

C. Over-reliance on technology comes at a cost.

D. Education requires continual involvement, emotional connection, and deep learning.

E. None of these.

Q144. Which of the following ironies has been mentioned in the given passage?

A. The disruptive nature of digital tools has thrown up interesting challenges to the traditional education system.

B. Teachers are familiar with concepts like "constructivism," but are unsure how to use it in the classroom.

C. Parents are forced to rely upon technology to provide their children constant gratification to keep them engaged.

D. Both (a) and (b)

E. None of these.

Q145. Which of the following is not among the qualities that can support an individual to develop his abilities at the workplace?

A. Teamwork and interaction

B. Interactions on a social and cross-cultural level

C. Versatility and flexibility

D. Problem-solving and critical thinking

E. None is incorrect.

Q146. Which of the following words is the synonym of “intense”, as highlighted in the given passage?

- A. Catalytic
- B. Impactful
- C. Vehement
- D. Holistic
- E. None of these

Q147. Which of the following words is the antonym of “obsolete”, as highlighted in the given passage?

- A. Contemporary
- B. Archaic
- C. Bygone
- D. Superannuated
- E. None of these.

Directions (148-151): In each of the questions given below four words are highlighted which may or may not be in their proper place. You are required to interchange these words in order to form meaningfully correct sentences.

Q148. The **motto (a)** of the US state of New Hampshire is “Live Free or Die”. Appropriately enough, NH is currently the only US state offering legal **certification (b)** for flying cars. But while such a vehicle sounds like a **technology (c)** of science fiction, it could soon become perfectly normal **figment (d)**.

- A. a-c
- B. c-d
- C. b-d
- D. a-b
- E. No interchange required

Q149. The **withdrawal (a)** down of tensions between Assam and Mizoram, at least at the **leadership (b)** level, with the **respective (c)** governments announcing the **drawing (d)** of FIRs against the Chief Minister of Assam and a Rajya Sabha MP from Mizoram, among other steps, comes as a great relief.

- A. a-d
- B. b-d
- C. a-c and b-d
- D. a-b and c-d

E. No interchange required

Q150.A day after taking the bold decision to **scrap (a)** all retrospective tax demands and refund money collected, Prime Minister Narendra Modi said the move shows his government's **consistency (b)** to providing businesses stability of investment **climate (c)** and policy **commitment (d)**.

A. a-c

B. b-d

C. a-c and b-d

D. a-b and c-d

E. No interchange required

Q151.Happy at a permanent commission for Air Quality Management in the National Capital Region and Adjoining Areas for better coordination, research, **regulations(a)**, and resolution of problems **surrounding (b)** the air quality index, experts are also **wary (c)** of the fact that mere **identification (d)** would not help in the long run.

A. a-c

B. b-d

C. a-d

D. b-c

E. No interchange required

Directions (152-156): Which of the following phrases (A), (B), (C) and (D) can replace the phrase in bold so as to make the statement correct grammatically and contextually? If the statement does not need any correction then mark option E as your answer.

Q152.England **cruised for a second successive victory** at the ICC Twenty20 World Cup, defeating Bangladesh by eight wickets.

A. cruises on a second successive victory

B. cruised to a second successive victory

C. cruise to a second successive victory

D. crushed to a second successive victory

E. no replacement required

Q153.The Delhi Disaster Management Authority **has issued orders permit schools to reopen**, after a gap of 19 months, for students from nursery to Class XII from November 1.

A. issued orders permitting schools to reopening B. issued orders permitting schools to reopen

C. issue orders permitting schools to reopen

D. issuing orders permitting schools to reopen E. no replacement required

Q154.With limited water resources and increasing water demand, it becomes **imperatively to strategize to the sustained use of water** in various sectors.

- A. imperial to strategize for the sustained use of water
- B. imperative to strategize for the sustained use of water
- C. imperative to strategize for the sustainable use of water
- D. prior to strategize for the sustained use of water
- E. no replacement required

Q155.Scientists have identified a compound **that shows potentially in easing the symptoms** of COVID-19 infection in laboratory and animals.

- A. show potential in easing the symptoms
- B. shows potential to easing the symptoms
- C. shows potential in easing the symptoms
- D. showed potential in easy the symptoms
- E. no replacement required

Q156.The **Indian team had defeat hosts** England by 36 runs to lift the T20 Physically Disabled Cricket Series in August last year.

- A. Indian team has being defeated hosts
- B. Indian team was defeated hosts
- C. Indian team had defeated hosts
- D. Indian team had have defeated hosts
- E. No correction required

Directions (157-161): Rearrange the following sentences in the proper sequence to form a meaningful paragraph and then answer the questions given below.

(A)But, Mr. Austin's trip preceded an unannounced stop in Kabul where the U.S. is undertaking a major review of its troop's pull-out schedule and peace plan.

(B)The timing of U.S. Secretary of Defense Lloyd Austin's visit to New Delhi over the weekend was significant for many reasons.

(C)As a result, all three areas: bilateral ties, the Indo-Pacific and Afghanistan came up for discussion during talks.

(D)Also, the visit, just after the first ever Quad leaders' summit, confirms the U.S.'s focus on greater maritime cooperation in the Indo-Pacific.

(E)Finally, Mr. Austin was careful not to make any direct reference to Beijing or about the LAC dispute, which New Delhi considers a bilateral issue.

(F) As the first senior ranking official of the Biden administration to meet with the Modi government, his visit this early in the new President's tenure indicates the place India holds.

Q157. Which of the following statements does not form a part of a coherent paragraph, after rearranging the given statements?

- A. B
- B. F
- C. C
- D. D
- E. None is coherent.

Q158. Which of the following pair of statements will appear in similar sequence after rearrangement, as given in the option?

- A. A-E
- B. C-D
- C. B-F
- D. D-E
- E. A-F

Q159. Which of the following is the SECOND statement after rearrangement?

- A. B
- B. C
- C. F
- D. A
- E. E

Q160. Which of the following is the THIRD statement after rearrangement?

- A. D
- B. A
- C. F
- D. E
- E. C

Q161. Which of the following is the FIFTH statement after rearrangement?

- A. F
- B. C

C. B

D. A

E. E

Directions (162-166): In each of the following questions, a sentence has been divided into five parts out of which one part is erroneous. You are required to choose the option which is grammatically or contextually incorrect.

Q162. Union Home Minister Amit Shah conducted an **(a)**/ aerial survey of rain-ravaged areas **(b)**/ of Uttarakhand to assessing the **(c)**/ damage which the state government **(d)**/ has pegged at Rs 7,000 crore.**(e)**

A. a

B. b

C. c

D. d

E. e

Q163. As much as 150 Industrial Training Institutes (ITIs) **(a)**/ which were upgraded by **(b)**/ Tata Technologies Limited under **(c)**/ Karnataka's UDYOGA program are set **(d)**/ to be inaugurated in two weeks.**(e)**

A. a

B. b

C. c

D. d

E. e

Q164. Excessive rainfall has thrown **(a)**/ normal life out of gear in Uttarakhand. **(b)**/ Torrential rainfall and floods **(c)**/ have lead to food scarcity **(d)**/ and lack of transportation.**(e)**

A. a

B. b

C. c

D. d

E. e

Q165. The Madhya Pradesh Police arrested **(a)**/ four people, including **(b)**/ a professional Kabaddi player, **(c)**/ for their alleged **(d)**/ involving in arms trafficking.**(e)**

A. a

- B. b
- C. c
- D. d
- E. e

Q166.Addressing the nation, **(a)**/ Prime Minister Narendra Modi said **(b)**/ India's vaccination programme **(c)**/ were science-born, **(d)**/ science- driven and science-based.**(e)**

- A. a
- B. b
- C. c
- D. D
- E. e

Directions (167-170): Given below is a highlighted word followed by 4 sentences. You need to understand whether the sentences are using the word correctly or not. Mark the incorrect sentence with the incorrect word usage as your answer.

Q167.Adamant

- A. The doctors at Apollo hospital had been absolutely **adamant** that Meena's grandmother was not going to get better.
 - B. Raani is so **adamant** in her political beliefs that no one can change her mind!
 - C. Kunal is a very sweet, amiable and adamant boy.
 - D. Unemployed youths of this country are **adamant** about finding a suitable job.
- A. Only B
 - B. Only A
 - C. Only D
 - D. Only C
 - E. All are correct

Q168.Enervate

- A. The lecture on calculus was **enervating** to the new students.
 - B. If you are idle then it will definitely **enervate** your progress towards success.
 - C. The energy drink **enervated** him to such an extent that he ran faster than the others.
 - D. The long journey from Kolkata to Bhubaneswar is quite **enervating**.
- A. Only A

- B. Only B
- C. Only C
- D. Only D
- E. All are correct

Q169. Ubiquitous

- A. Digital payments are becoming increasingly **ubiquitous**.
- B. Greenery is becoming **ubiquitous** in urbanized towns.
- C. The presence of these men is slowly becoming **ubiquitous**.
- D. Raghu's **ubiquitous** influence is always felt by his family.

- A. Only A
- B. Only B
- C. Only C
- D. Only D
- E. All are correct

Q170. Negligent

- A. Piangshuk is quite punctual and **negligent** when it comes to official works.
- B. I was utterly shocked to find out how **negligent** Arun had been during these years.
- C. Please do not be **negligent** in your work else you will suffer.
- D. Pulak seems quite **negligent** about his health.

- A. Only A
- B. Only B
- C. Only C
- D. Only D
- E. All are correct

EduTap

RBI Grade B 2023 - Recollected Questions

Answer Key

Section – English

Question Number	Answer	Question Number	Answer	Question Number	Answer
141	C	151	C	161	B
142	B	152	B	162	C
143	D	153	B	163	A
144	B	154	B	164	D
145	E	155	C	165	E
146	C	156	C	166	D
147	A	157	E	167	D
148	B	158	C	168	C
149	A	159	C	169	B
150	B	160	A	190	A

RBI Grade B 2023 - Recollected Questions

Explanations

Section – English

Q141. Answer: C

Refer to the first paragraph- “Educators could consider a design-based approach where students concentrate on a subject for two-three weeks to examine how it can be applied in the real world.” Referring to the quoted text, we can infer that the statement given in option (c) is the correct answer choice.

Q142. Answer: B

Refer to the third paragraph- “Excluding a few, the content created by most participants was either sent back to them or deleted by neutral editors of Wikipedia. The content, it was found, was

plagiarised, did not provide citations, lacked basic writing and grammar skills, etc.” Here, among the given options, only (b) does not find any reference. Hence, option (b) is correct.

Q143. Answer: D

Refer to the third paragraph- “The critical feedback from various Wikipedia editors was crucial because it was unbiased. This feedback forced the learners to re-evaluate their skills.

This shows that constant engagement, an emotional connection, and immersive learning are important parts of education.” Referring to the quoted text, we can infer that the statement given in option (d) is the correct answer choice.

Q144. Answer: B

Refer to the second paragraph- “They know terms like ‘constructivism’ but do not know how it should be used in a classroom that is focused on exams rather than learning.” Referring to the quoted text, we can infer that the statement given in option (b) is the correct answer choice.

Q145. Answer: E

Refer to the first paragraph- “Critical thinking and problem solving, communication and collaboration, creativity and innovation, flexibility and adaptability, initiative and self-direction, social and cross-cultural interactions, and productivity and accountability all strengthen the individuals’ abilities at the workplace.” All the given qualities can support an individual to develop his abilities at the workplace. Hence, option (e) is correct.

Q146. Answer: C

Among the given words, ‘intense’ is synonymous with ‘vehement’. Hence, option (c) is correct.

Intense- having or showing strong feelings or opinions; extremely earnest or serious.

Vehement- showing strong feelings; forceful, passionate, or intense.

Holistic- characterized by the belief that the parts of something are intimately interconnected and explicable only by reference to the whole.

Impactful- having a major impact or effect. Catalytic- relating to or involving the action of a catalyst.

Q147. Answer: A

Among the given words, ‘contemporary’ is the antonym of ‘obsolete’. Hence, option (a) is correct.

Contemporary- belonging to or occurring in the present.

Obsolete- no longer produced or used; out of date.

(Synonyms- Archaic, Bygone, Superannuated)

Q148. Answer: B

Option B, c-d, “figment” and “technology” need to be interchanged to make the sentence contextually and grammatically correct.

Q149. Answer: A

Option A, a-d, “withdrawal” and “drawing” need to be interchanged to make the sentence contextually and grammatically correct.

Q150. Answer: B

Option B, b-d, “commitment” and “consistency” need to be interchanged to make the sentence contextually and grammatically correct.

Q151. Answer: C

Option C, a-d, “regulation” and “identification” need to be interchanged to make the sentence contextually and grammatically correct.

Q152. Answer: B

; ‘cruised to a second successive victory’ Here, ‘cruise’ depicts to proceed to something. The correct phrase will be ‘cruise to’. So the correct answer is B.

Q153. Answer: B

; ‘issued orders permitting schools to reopen’ ‘Has’ is followed by past participle form of verb. ‘Permitting’ is used as a gerund.

Q154. Answer: B

; ‘imperative to strategize for the sustained use of water’

Imperative means important or essential while imperial means royal.

Sustainable means continuous. It is contextually incorrect.

Prior to – until, before

According to the context, it is important to make strategy to encourage limited use of water.

Q155. Answer: C

; ‘shows potential in easing the symptoms’ Here, ‘potential’ acts as a noun and preposition ‘in’ will be followed by present participle. The correct answer is option C.

Q156. Answer: C

The sentence is in past perfect tense as the Indian team had defeated the England team in the last year. Thus, options A and B are incorrect. In case of option D, ‘India’ must be replaced with ‘Indian’ as it is used as an adjective. The only correct statement is option

C. Thus, option C is the correct answer.

Q157. Answer: E

Among the given sentences, (B) is the first sentence after rearrangement as it sets the theme of all other sentences which are based on Mr. Austin’s visit to India. Further, it will be followed by (F) for which the hint can be drawn from ‘his visit this early’. Statement (D) will follow (F) because the hint

for this will be drawn from sentence (C), which mentions the sequence of areas. The statement (F) indicates the bilateral ties; (F) indicates the Indo-Pacific and finally (A) hints towards the Afghanistan issue. To conclude the passage (E) will be placed at last which mentions 'finally' indicating towards the concluding statement. Therefore, the correct sequence will be BFDACE. Hence, option (e) is the most suitable answer choice.

Q158. Answer: C

Among the given sentences, (B) is the first sentence after rearrangement as it sets the theme of all other sentences which are based on Mr. Austin's visit to India. Further, it will be followed by (F) for which the hint can be drawn from 'his visit this early'. Statement (D) will follow (F) because the hint for this will be drawn from sentence (C), which mentions the sequence of areas. The statement (F) indicates the bilateral ties; (F) indicates the Indo-Pacific and finally (A) hints towards the Afghanistan issue. To conclude the passage (E) will be placed at last which mentions 'finally' indicating towards the concluding statement. Therefore, the correct sequence will be BFDACE. Hence, option (c) is the most suitable answer choice.

Q159. Answer: C

Among the given sentences, (B) is the first sentence after rearrangement as it sets the theme of all other sentences which are based on Mr. Austin's visit to India. Further, it will be followed by (F) for which the hint can be drawn from 'his visit this early'. Statement (D) will follow (F) because the hint for this will be drawn from sentence (C), which mentions the sequence of areas. The statement (F) indicates the bilateral ties; (F) indicates the Indo-Pacific and finally (A) hints towards the Afghanistan issue. To conclude the passage (E) will be placed at last which mentions 'finally' indicating towards the concluding statement. Therefore, the correct sequence will be BFDACE. Hence, option (c) is the most suitable answer choice.

Q160. Answer: A

Among the given sentences, (B) is the first sentence after rearrangement as it sets the theme of all other sentences which are based on Mr. Austin's visit to India. Further, it will be followed by (F) for which the hint can be drawn from 'his visit this early'. Statement (D) will follow (F) because the hint for this will be drawn from sentence (C), which mentions the sequence of areas. The statement (F) indicates the bilateral ties; (F) indicates the Indo-Pacific and finally (A) hints towards the Afghanistan issue. To conclude the passage (E) will be placed at last which mentions 'finally' indicating towards the concluding statement. Therefore, the correct sequence will be BFDACE. Hence, option (a) is the most suitable answer choice.

Q161. Answer: B

Among the given sentences, (B) is the first sentence after rearrangement as it sets the theme of all other sentences which are based on Mr. Austin's visit to India. Further, it will be followed by (F) for which the hint can be drawn from 'his visit this early'. Statement (D) will follow (F) because the hint for this will be drawn from sentence (C), which mentions the sequence of areas. The statement (F) indicates the bilateral ties; (F) indicates the Indo-Pacific and finally (A) hints towards the Afghanistan issue. To conclude the passage (E) will be placed at last which mentions 'finally' indicating towards

the concluding statement. Therefore, the correct sequence will be BFDACE. Hence, option (b) is the most suitable answer choice.

Q162. Answer: C

Out of the five given parts, part (c) has a grammatical error. Usage of (ASSESSING) is incorrect because here to+V1 structure will be followed. So “assess” will be the correct word. Correction- “of Uttarakhand to assess the”

Hence option C is the correct answer.

Q163. Answer: A

Out of the five given parts, part (a) has a grammatical error. Usage of (MUCH) is incorrect because for countable nouns we always use ‘many’. So “many” will be the correct word. Correction- “As many as 150 Industrial Training Institutes (ITIs)”

Hence option A is the correct answer.

Q164. Answer: D

Out of the five given parts, part (d) has a grammatical error. Usage of (have lead) is incorrect because “have” is followed by V3 and the third form of lead will be led. So “led” will be the correct word.

Correction- “have led to food scarcity”

Hence option D is the correct answer.

Q165. Answer: E

Out of the five given parts, part (e) has a grammatical error. Usage of verb (involving) is incorrect. (involving) will be replaced by the noun (involvement)

Correction- “involvement in arms trafficking”

Hence option E is the correct answer.

Q166. Answer: D

Out of the five given parts, part (d) has a grammatical error. Usage of (were) is incorrect. Vaccination programme is singular so the verb that will be used is also singular. So “was” will be the correct word.

Correction- “was science-born”

Hence option D is the correct answer.

Q167. Answer: D

Adamant means refusing to be persuaded or to change one's mind.

If we look at the sentences given here, we can easily understand that in sentence C the context does not quite match with the word adamant.

We need a word which has a positive sense. So, it is incorrectly used here.

Therefore, the correct answer is option D.

Q168. Answer: C

Solution: Enervate means (lacking) or drained of energy or vitality. In sentence C it gives just the opposite sense of enervate and hence is incorrect.

Therefore, in the given question the correct answer is option C.

Q169. Answer: B

Ubiquitous means present, appearing, or found everywhere.

In statement B, the word 'scarce' could have been used. The context and sense is completely opposite.

Therefore, in the given question the correct answer is option B.

Q170. Answer: A

Negligent means failing to take proper care over something.

In the very first question we can see that there is a clear contradiction of senses. A person cannot be punctual as well as negligent both. Hence we can understand that it is incorrectly used here.

Therefore, in the given question the correct answer is option A.

RBI Grade B 2023 - Recollected Questions

Section – Quant

Q.171) Given below are 3 equations I, II and III where 'a' and 'b' are the roots of equation I where ($a < b$) and 'c' and 'd' are roots of equation II where ($c < d$). On this basis, solve for equation III and find the relationship between 'z' and 'k' given that $k = 11$

I. $3x(x - 12) + 72 = x^2 - 11x - 5$

II. $5y(y - 3) - 64 = y(3y - 2) - 19$

III. $(z + 2a - d)^2 = 169$

[1] $z > k$

[2] $z < k$

[3] $z = k$ or the relationship cannot be established

[4] $z \geq k$

[5] $z \leq k$

Q.172) Given below are three equations i.e. 'I', 'II' and 'III'. If roots of the equation 'I' are 'p' and 'q', respectively such that $p > q$ while the roots of the equation 'II' are 'm' and 'n' respectively such that $m > n$, then find the value of 'K'.

I. $2x^2 - 6(x + 4) = 3x + 11$

II. $2y^2 - 12(y - 4) = 7y + 6$

III. $(15m/2) - 8q = 9p - 4n + K^2$

[1] 11

[2] 4

[3] 7

[4] 9

[5] 14

Q.173) The series given below contains a missing number 'P'. Find the value of 'P' and determine which among the given three statement(s) is/are true.

74, 290, 241, 753, 672, 'P', 1551

I: The nearest perfect square number to 'P' is 1600

II: 'P' is divisible by 11

III: $(P + 28)$ is a multiple of 50.

- [1] Only I
- [2] Only II
- [3] Only I and II
- [4] Only II and III
- [5] Only III

Q.174) Given below are two number series I and II where the missing numbers in series I and II are 'P' and 'Q', respectively. Find the value of 'P' and 'Q' and find which among the given options gives the correct value of $(P - Q)$.

I: 5000, 4000, 3000, 2100, P, 819

II: 4, 6, 15, 56, Q, 1644

- [1] 1120
- [2] 1090
- [3] 980
- [4] 1240
- [5] 1050

Q.175) Given below are two number series I and II where the missing numbers in series 'I' and 'II' are 'P' and 'Q', respectively. Find the value of 'P' and 'Q' and find which among the given options gives the L.C.M of 'P' and 'Q'.

I: 77, 106, 48, P, 19, 164

II: 141, 98, Q, 63, 71, 96

- [1] 1080
- [2] 1200
- [3] 724
- [4] 960
- [5] 1440

Q176-180) Directions: Answer the questions based on the information given below.

A survey was conducted among certain number of players who played games in at-least one of the levels i.e. National and International. Players who played only at national level played in at least one of the three trophies i.e. Ranji, Duleep and Irani while the players who played only at International level played in at least one of the two leagues i.e. CPL and BBL.

Out of total number of players, 10% had played at both levels and the number of players who played only at national level is 250 more than number of players who played only at international level. 24% of players who played only at national level had played only Ranji which was 200 less than players who played only in CPL. Number of players who played in all three trophies i.e. Ranji, Duleep and Irani is 144 and is 52% less than number of players who played only Ranji. Ratio of number of players who played only in BBL to number of players who played in both Ranji and Irani but not in Duleep is $25:(p + 3)$. Number of people who played only at national level but not played Irani trophy is 630. $(2p - 0.8)\%$ of number of players who played only at national level had played only in Irani trophy. The number of players who played only at international level and played only in CPL was $(p + 10)\%$ of total number of players. $(2p + 1.6)\%$ of players who played at national level had played in both Ranji and Duleep trophy. Number of players who played both Ranji and Duleep but not Irani trophy was 125% more than number of players who played both Irani and Duleep but not Ranji.

Q.176) Number of players who played exactly in one trophy is:

- [1] 650
- [2] 620
- [3] 690
- [4] 720
- [5] 740

Q.177) Number of players who played only in BBL is how much percent of total number of players who played at the international level?

- [1] 40%
- [2] 30%
- [3] 24%
- [4] 50%
- [5] 45%

Q.178) Ratio of number of players who played in both Ranji and Irani trophy but not in Duleep trophy to number of players who played in both Irani and Duleep trophy but not in Ranji trophy is:

- [1] 10: 9
- [2] 15: 14
- [3] 29: 20
- [4] 39: 20
- [5] None of these

Q.179) Total number of players who played in CPL is:

- [1] 300
- [2] 500
- [3] 700
- [4] 750
- [5] 450

Q.180) Difference between number of players who played in all three trophies and number of players who played in both leagues is:

- [1] $6p - 6$
- [2] $5p - 6$
- [3] $3p^2 - 25p + 6$
- [4] $5p^2 - 45p + 12$
- [5] None of these

Q.181-185) Directions: Following is the data regarding the revenue and expenditure of 4 companies in 2018 and in 2017. All figures are in Rs crore.

Profit = Revenue – Expenditure

Percentage profit = (Profit/Expenditure)*100%

	2017		2018	
	Revenue	Expenditure	Revenue	Expenditure
Mckinsey	5800	5300	6000	5000
BCG	6000	5400	5600	4800
Bain	5000	4800	5400	4800
ATK	4800	4000	5000	4000

Q.181) Which company in which year has seen the maximum percentage profit?

- [1] ATK in 2017
- [2] BCG in 2017
- [3] Bain in 2018
- [4] ATK in 2018

[5] Mckinsey in 2018

Q.182) Which company has seen the maximum percentage increase in profit from 2017 to 2018?

[1] Mckinsey

[2] BCG

[3] Bain

[4] ATK

[5] 2 companies have the same percentage increase

Q.183) What is the sum of the numerical values of the percentage profit of Mckinsey in 2018 and Bain in 2018?

[1] 27.5

[2] 25

[3] 32.5

[4] 38

[5] 45

Q.184) What is the ratio of the numerical values of the percentage profit of Mckinsey in 2017 to BCG in 2017?

[1] 45: 53

[2] 41: 51

[3] 47: 61

[4] 38: 65

[5] 33: 61

Q.185) For all 4 companies combined, what is the percentage (approximately) increase in the sum of their profits from 2017 to 2018?

[1] 48%

[2] 62%

[3] 44%

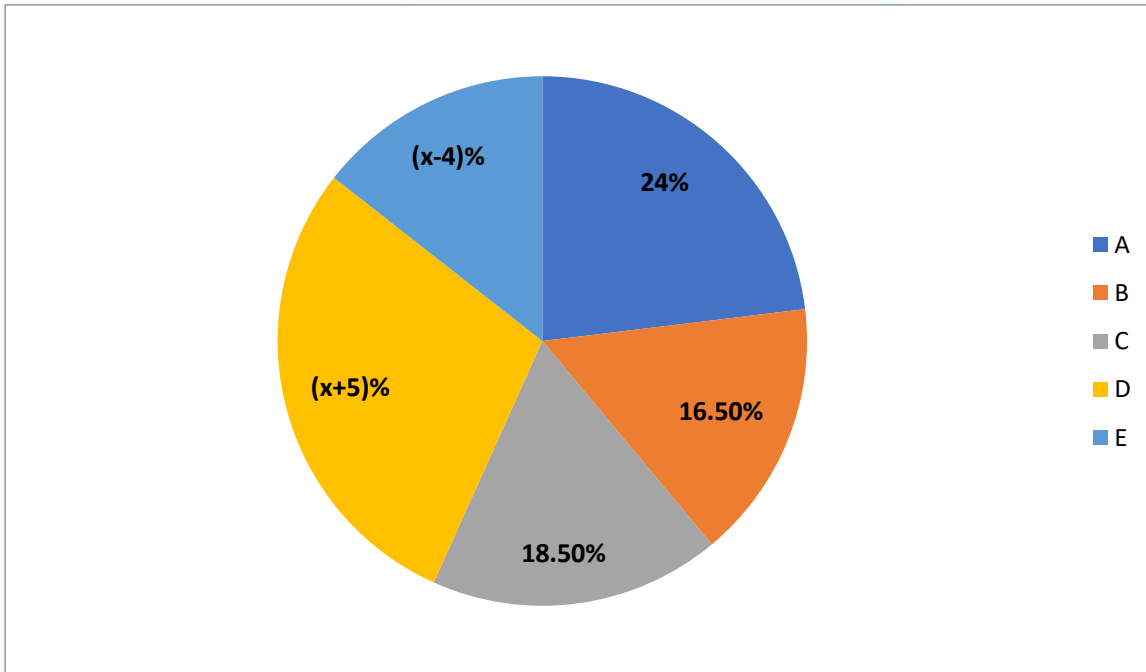
[4] 55%

[5] 72%

Q.186-190) Directions: Answer the questions based on the information given below.

Five different schools of a district participated in multiple tournaments during a year. Each school won some gold, silver and bronze medals. The pie chart given below shows the percentage

distribution of number of gold medals won by each school out of total gold medals won by all schools together.



The table chart given below shows the difference between number of gold and number of silver medals, won by each school and percentage of number of bronze medals won by each school as percentage of number of silver medals won by that school.

School	Difference between number of gold and number of silver medals won	Percentage of number of bronze medals won by each school as percentage of number of silver medals won
A	116	84%
B	186	78%
C	104	$(3.5x+1)\%$
D	120	75%
E	144	$4x\%$

Note: Total number of medals won by school 'E' were 86 more than that by school 'D'.

Q.186) Find the sum of number of bronze medals won by schools 'A' and 'C' together.

[1] 816

[2] 664

[3] 704

[4] 752

[5] None of these

Q.187) Find the ratio between number of bronze medals won by school 'E' and sum of number of gold medals won by schools 'B' and 'C' together, respectively.

[1] 3: 5

[2] 4: 7

[3] 2: 5

[4] 5: 7

[5] None of these

Q.188) Find the average number of medals won by schools 'C' and 'D' together.

[1] 925

[2] 890

[3] 915

[4] 935

[5] None of these

Q.189) Find the difference between number of silver medals won by school 'A' and school 'D'.

[1] $12x - 45$

[2] $8x + 45$

[3] $9x + 20$

[4] $12.5x - 15$

[5] $11x$

Q.190) If number of silver medals won by school 'B' were 'm' and number of gold medals won by school 'D' were 'n', then find the value of $3(m - n)$.

[1] 150

[2] 250

[3] 175

[4] 225

[5] 200

Q.191) The question consists of two statements numbered "I and II" given below it. You have to decide whether the data provided in the statements are sufficient to answer the question.

A shopkeeper sold an article. Find the selling price of the article.

Statement-I: The selling price of article is 45% more than the cost price of article. Marked price of article is 10% more than the selling price, and the amount of discount offered is Rs. 870.

Statement-II: Profit made by the shopkeeper is 45%. Had the article was sold for Rs. 300 more, the shopkeeper would have earned 50% profit.

- [1] The data in statement I alone are sufficient to answer the question, while the data in statement II alone are not sufficient to answer the question.
- [2] The data in statement II alone are sufficient to answer the question, while the data in statement I alone are not sufficient to answer the question.
- [3] The data either in statement I alone or in statement II alone are sufficient to answer the question.
- [4] The data given in both statements I and II together are not sufficient to answer the question.
- [5] The data in both statements I and II together are necessary to answer the question.

Q.192) The question consists of four statements numbered "I, II, III and IV" given below it. You have to decide whether the data provided in any of the statement(s) alone is/are sufficient to answer the question.

There are only three people in a family i.e. father, mother and a child. If present ages of father and mother are in the ratio 10:9, respectively, then find the present age of the child.

Statement I: Ten years hence from now, the age of child will be 56% less than that of the father.

Statement II: Present age of child is 70% less than that of the father and 24 years less than that of the mother.

Statement III: Six years ago from now, the age of mother was 5 times the age of child. Six years hence from now, the age of father will be 28 years more than that of child.

Statement IV: Difference between present age of mother and father is 4 years and difference between present age of child and mother is 24 years.

- [1] Only I
- [2] Only II
- [3] Only I, II and III
- [4] Only II, III and IV
- [5] Only I and II

Q.193) Harry, Ron and Cedrick started a business with an investment in the ratio of 14: 15: 20. After 5 months, Harry invested an additional amount which was $\frac{2}{5}$ th of the initial investment of Ron. 3 months after that, Ron increased his investment by an amount which was $\frac{1}{4}$ th of Cedrick's initial investment and Cedrick increased his investment by an amount which was $\frac{2}{3}$ rd of Ron's initial investment. After one year of business, the difference between the profit share of Ron and Harry was what percent of that between Ron and Cedrick?

[1] 13.33%

[2] 6.67%

[3] 16.67%

[4] 8.33%

[5] 12.5%

Q.194-196) Directions: In the question, two Quantities I and II are given. You have to solve both the Quantity to establish the correct relation between Quantity-I and Quantity-II and choose the correct option.

Q.194) The speed of boat 'B' in still water is 8 km/h more than that of boat 'A'. The ratio of downstream speed of boat 'A' to upstream speed of boat 'B' is 9:8. The ratio of upstream speed of boat 'A' to downstream speed of boat 'B' is 6:11. (Both the boats are travelling in the same stream)

Quantity-I: Find the sum of distance travelled by boat 'A' in downstream in 125 minutes and distance travelled by boat 'B' in upstream in 75 minutes.

Quantity-II: Speed of Boat 'C' in still water is 50 km/h. Find the sum of distance travelled by boats 'A', 'B' and 'C' together while travelling in upstream for 1 hour. Boat 'C' is also travelling in the same stream.

[1] Quantity-I > Quantity-II

[2] Quantity-I < Quantity-II

[3] Quantity-I \leq Quantity-II

[4] Quantity-I = Quantity-II or No relation

[5] Quantity-I \geq Quantity-II

Q.195) Quantity-I: The selling price of an article when it is marked 36% above its cost price and sold after a discount of Rs. 140 is Rs. 'P' and the selling price of the same article when it is marked 28% above its cost price and sold after a discount of Rs. 120 is Rs. 'Q'. If P : Q = 19:18, then find the cost price of the article.

Quantity-II: The compound interest received on investing Rs. 10,500 for 2 years at 'y%' p.a., compounded annually is Rs. 2,205. Find the compound interest received on investing Rs. 4,800 at a rate of (y + 5) % p.a., compounded annually for 2 years.

- [1] Quantity-I > Quantity-II
- [2] Quantity-I < Quantity-II
- [3] Quantity-I ≤ Quantity-II
- [4] Quantity-I = Quantity-II or No relation
- [5] Quantity-I ≥ Quantity-II

Q.196) Which of the following pair of symbols will define the relation between Quantity I and Quantity II and between Quantity II and Quantity III respectively?

- A. =
- B. >
- C. <
- D. ≥
- E. ≤
- F. # (relation cannot be established)

'p', 'q' and 'r' are three distinct positive roots of the given equation such that 'p' > 'q' > 'r'.

$$x^3 - 9x^2 + 23x - 15 = 0$$

Quantity I: Find the value of '8p'.

Quantity II: Find the value of (q + 40).

Quantity III: Find the value of (r X 20).

- [1] C, B
- [2] B, C
- [3] A, B
- [4] B, A
- [5] C, A

Q.197) Arjun and Rajiv deposited Rs. 8400 and Rs. _____ in scheme A at 20% and at 10% per annum compound interest compounded annually, respectively. Also, Arjun and Rajiv deposited Rs. _____ and Rs. 3700 in scheme B at 15% and at 24% per annum simple interest, respectively. Sum of interest earned by both from both schemes together after 2 years is Rs. _____.

The values given in which of the following options will fill the blanks in the same order in which is it given to make the statement true:

I. 7200, 4120, 8220

II. 9600, 3640, 8540

III. 8000, 5400, 8772

[1] Only I

[2] Only II

[3] Only III

[4] Only II and III

[5] Only I and III

Q.198) A man fell down from his boat at point 'A' which was 64 km away in downstream from a rescue boat which started travelling immediately for his rescue. Till the time, the rescue boat reached point 'A', the man travelled with help of stream only. As soon as the boat reached the point 'A', the man started swimming towards the boat such that his speed in still water is 5 km/h and the boat rescued him after 48 minutes after it reached point 'A'. The speed of the stream is 60% of that of the rescue boat in still water. Find the total distance covered by the rescue boat in the time it meets the man.

[1] 88 km

[2] 108 km

[3] 96 km

[4] 124 km

[5] 120 km

Q.199) Paper A is in the form of a square of side 130mm. Four quadrants of diameter 14mm is cut from the four corners of the square. Paper B is in the form of a rectangle whose one side is 150mm and this side is 20% more than the shorter side. Two semicircles of diameter equal to the smaller side of the rectangle is cut from both the edges of the rectangle. By what percent is the remaining area of paper B more or less than that of paper A?

[1] 61.3% more

[2] 52.3% more

[3] 61.3% less

[4] 52.3% less

[5] None of these

Q.200) A natural number, N, is divisible by at most two distinct divisors of 12. What will the HCF of all possible values of N be?

[1] 2

[2] 1

[3] 0

[4] 3

[5] 4

RBI Grade B 2023 - Recollected Questions

Answer Key

Section – Quants

Question Number	Answer	Question Number	Answer	Question Number	Answer
171	5	181	4	191	3
172	2	182	3	192	4
173	4	183	3	193	5
174	2	184	1	194	1
175	1	185	2	195	2
176	3	186	3	196	1
177	3	187	2	197	5
178	4	188	4	198	3
179	3	189	5	199	3
180	3	190	1	200	2

RBI Grade B 2023 - Recollected Questions

Explanations

Section – Quants

Q.171) Solution – 5

Detailed solution:

From I:

$$3x(x - 12) + 72 = x^2 - 11x - 5$$

$$\text{Or, } 3x^2 - 36x + 72 - x^2 + 11x + 5 = 0$$

$$\text{Or, } 2x^2 - 25x + 77 = 0$$

$$\text{Or, } 2x^2 - 14x - 11x + 77 = 0$$

$$\text{Or, } 2x(x - 7) - 11(x - 7) = 0$$

$$\text{Or, } (2x - 11)(x - 7) = 0$$

$$\text{So, } x = 5.5 \text{ or } 7$$

$$\text{So, } a = 5.5 \text{ and } b = 7$$

From II:

$$5y(y - 3) - 64 = y(3y - 2) - 19$$

$$\text{Or, } 5y^2 - 15y - 64 = 3y^2 - 2y - 19$$

$$\text{Or, } 5y^2 - 3y^2 - 15y + 2y - 64 + 19 = 0$$

$$\text{Or, } 2y^2 - 13y - 45 = 0$$

$$\text{Or, } 2y^2 - 18y + 5y - 45 = 0$$

$$\text{Or, } 2y(y - 9) + 5(y - 9) = 0$$

$$\text{Or, } (2y + 5)(y - 9) = 0$$

$$\text{So, } y = -(5/2) = -2.5 \text{ or } 9$$

$$\text{So, } c = -2.5 \text{ and } d = 9$$

From III:

$$(z + 2a - d)^2 = 169$$

$$\text{Or, } (z + 2 \times 5.5 - 9)^2 = 169$$

$$\text{Or, } (z + 2)^2 = 169$$

$$\text{Or, } z + 2 = \pm 13$$

$$\text{So, } z = 11 \text{ or } -15$$

'z'	Relation	'k'
11	=	11
-15	<	11

Therefore, $z \leq k$

Q.172) Solution – 2

Detailed solution:

From I:

$$2x^2 - 6(x + 4) = 3x + 11$$

$$\text{Or, } 2x^2 - 6x - 24 - 3x - 11 = 0$$

$$\text{Or, } 2x^2 - 9x - 35 = 0$$

$$\text{Or, } 2x^2 - 14x + 5x - 35 = 0$$

$$\text{Or, } 2x(x - 7) + 5(x - 7) = 0$$

$$\text{Or, } (2x + 5)(x - 7) = 0$$

$$\text{So, } x = -2.5 \text{ or } 7$$

$$\text{So, } p = 7 \text{ and } q = -2.5$$

From II:

$$2y^2 - 12(y - 4) = 7y + 6$$

$$\text{Or, } 2y^2 - 12y + 48 - 7y - 6 = 0$$

$$\text{Or, } 2y^2 - 19y + 42 = 0$$

$$\text{Or, } 2y^2 - 12y - 7y + 42 = 0$$

$$\text{Or, } 2y(y - 6) - 7(y - 6) = 0$$

$$\text{Or, } (2y - 7)(y - 6) = 0$$

$$\text{So, } y = 3.5 \text{ or } 6$$

$$\text{So, } m = 6 \text{ and } n = 3.5$$

From III:

$$(15m/2) - 8q = 9p - 4n + K^2$$

$$\text{Or, } \{(15 \times 6)/2\} - 8 \times (-2.5) = 9 \times 7 - 4 \times 3.5 + K^2$$

$$\text{Or, } 45 + 20 = 63 - 14 + K^2$$

$$\text{Or, } 65 = 49 + K^2$$

$$\text{So, } K = \pm 4$$

Q.173) Solution – 4

Detailed solution:

The given number series follows the pattern of alternate addition and subtraction of cubes and squares, respectively.

$$74 + 6^3 = 290$$

$$290 - 7^2 = 241$$

$$241 + 8^3 = 753$$

$$753 - 9^2 = 672$$

$$672 + 10^3 = 1672$$

$$1672 - 11^2 = 1551$$

So, 'P' = 1672.

For I:

Nearest perfect square number of 1672, is $41^2 = 1681$

So, statement I is false.

For II:

$$1672 \div 11 = 152$$

So, statement II is true.

For III:

$$P + 28 = 1672 + 28 = 1700$$

Since, $1700 = 34 \times 50$

So, statement III is true.

Q.174) Solution – 2

Detailed solution:

For series I:

$$5000 \times 0.8 = 4000$$

$$4000 \times 0.75 = 3000$$

$$3000 \times 0.7 = 2100$$

$$\mathbf{2100 \times 0.65 = 1365}$$

$$1365 \times 0.6 = 819$$

Therefore the value of the missing number 'P' is 1365

For series II:

$$(4 \times 2) - 2 = 6$$

$$(6 \times 3) - 3 = 15$$

$$(15 \times 4) - 4 = 56$$

$$(56 \times 5) - 5 = 275$$

$$(56 \times 5) - 5 = 275$$

$$(275 \times 6) - 6 = 1644$$

The value of the missing number 'Q' is 275

$$\text{So, } P - Q = 1365 - 275 = 1090$$

Q.175) Solution – 1

Detailed solution:

For series I:

$$77 + 29 \times 1 = 106$$

$$106 - 29 \times 2 = 48$$

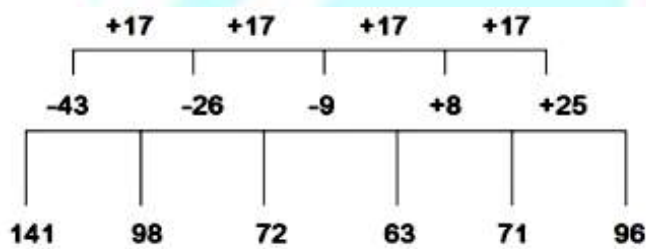
$$48 + 29 \times 3 = 135$$

$$135 - 29 \times 4 = 19$$

$$19 + 29 \times 5 = 164$$

So, the value of 'P' is 135

For series II:



Therefore, the value of 'Q' is 72.

$$\text{L.C.M of 'P' and 'Q'} = \text{L.C.M of 135 and 72} = 1080$$

Q.176) Solution – 3

Detailed solution:

Let total number of players be $100x$

$$\text{Number of players who had played at both levels} = 0.10 \times 100x = 10x$$

$$\text{Number of players who played only at national level} = (90x + 250)/2 = 45x + 125$$

$$\text{Number of players who played only at international level} = 45x - 125$$

$$\text{Number of players who played only in Ranji} = 0.24 (45x + 125)$$

$$\text{So, } 0.24(45x + 125) = 144/0.48 = 300$$

$$\text{So, } x = 25$$

$$\text{Total number of players} = 100x = 100 \times 25 = 2500$$

$$\text{Number of players who had played at both levels} = 10x = 10 \times 25 = 250$$

$$\text{Number of players who played only at national level} = 45x + 125 = 45 \times 25 + 125 = 1250$$

$$\text{Number of players who played only at international level} = 45x - 125 = 45 \times 25 - 125 = 1000$$

Number of players who played only in Ranji = 300

Number of players who played only in CPL = 300 + 200 = 500

So, $p + 10 = 500/2500 \times 100 = 20$

So, $p = 10$

Let number of players who played only in BBL = 25y

So, number of players who played in both Ranji and Irani but not Duleep = $(10 + 3) \times y = 13y$

Number of players who played in Irani trophy = 1250 - 630 = 620

Number of players who played only in Irani trophy = $(2p - 0.8)\%$ of 1250 = $0.192 \times 1250 = 240$

Number of players who played in both Ranji and Duleep trophy = $(2p + 1.6)\%$ of $(1250 + 250) = 0.216 \times 1500 = 324$

Number of players who played in both Ranji and Duleep trophy but not Irani trophy = $324 - 144 = 180$

Number of players who played in both Irani and Duleep trophy but not Ranji trophy = $180/2.25 = 80$

So, $13y + 144 + 80 + 240 = 620$

Or, $13y = 156$

So, number of players who played in both Ranji and Irani but not Duleep = $13y = 156$ Also, $y = 156/13 = 12$

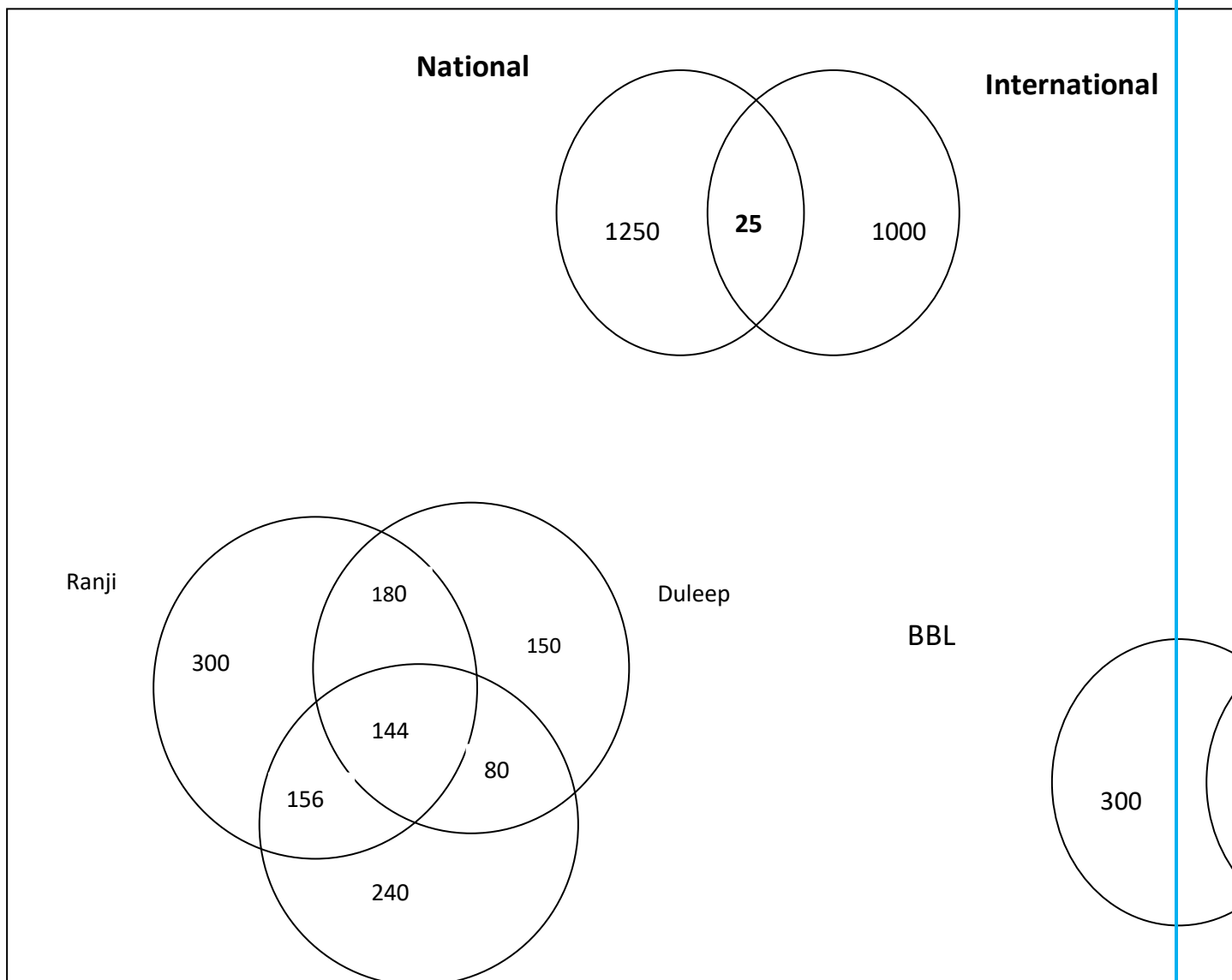
So, number of players who played only in BBL = $25y = 25 \times 12 = 300$

Number of players who played in both BBL and CPL = $1000 - 300 - 500 = 200$

Number of people who played in BBL = $300 + 200 = 500$

Number of players who played only in Duleep trophy = $630 - 180 - 300 = 150$

EduTap



Number of players of played exactly in one trophy = $300 + 150 + 240 = 690$

Q.177) Solution – 3

Detailed solution:

Let total number of players be $100x$

Number of players who had played at both levels = $0.10 \times 100x = 10x$

Number of players who played only at national level = $(90x + 250)/2 = 45x + 125$

Number of players who played only at international level = $45x - 125$

Number of players who played only in Ranji = $0.24 (45x + 125)$

So, $0.24(45x + 125) = 144/0.48 = 300$

So, $x = 25$

Total number of players = $100x = 100 \times 25 = 2500$

Number of players who had played at both levels = $10x = 10 \times 25 = 250$

Number of players who played only at national level = $45x + 125 = 45 \times 25 + 125 = 1250$

Number of players who played only at international level = $45x - 125 = 45 \times 25 - 125 = 1000$

Number of players who played only in Ranji = 300

Number of players who played only in CPL = $300 + 200 = 500$

So, $p + 10 = 500/2500 \times 100 = 20$

So, $p = 10$

Let number of players who played only in BBL = $25y$

So, number of players who played in both Ranji and Irani but not Duleep = $(10 + 3) \times y = 13y$

Number of players who played in Irani trophy = $1250 - 630 = 620$

Number of players who played only in Irani trophy = $(2p - 0.8)\%$ of 1250 = $0.192 \times 1250 = 240$

Number of players who played in both Ranji and Duleep trophy = $(2p + 1.6)\%$ of $(1250 + 250) = 0.216 \times 1500 = 324$

Number of players who played in both Ranji and Duleep trophy but not Irani trophy = $324 - 144 = 180$

Number of players who played in both Irani and Duleep trophy but not Ranji trophy = $180/2.25 = 80$

So, $13y + 144 + 80 + 240 = 620$

Or, $13y = 156$

So, number of players who played in both Ranji and Irani but not Duleep = $13y = 156$ Also, $y = 156/13 = 12$

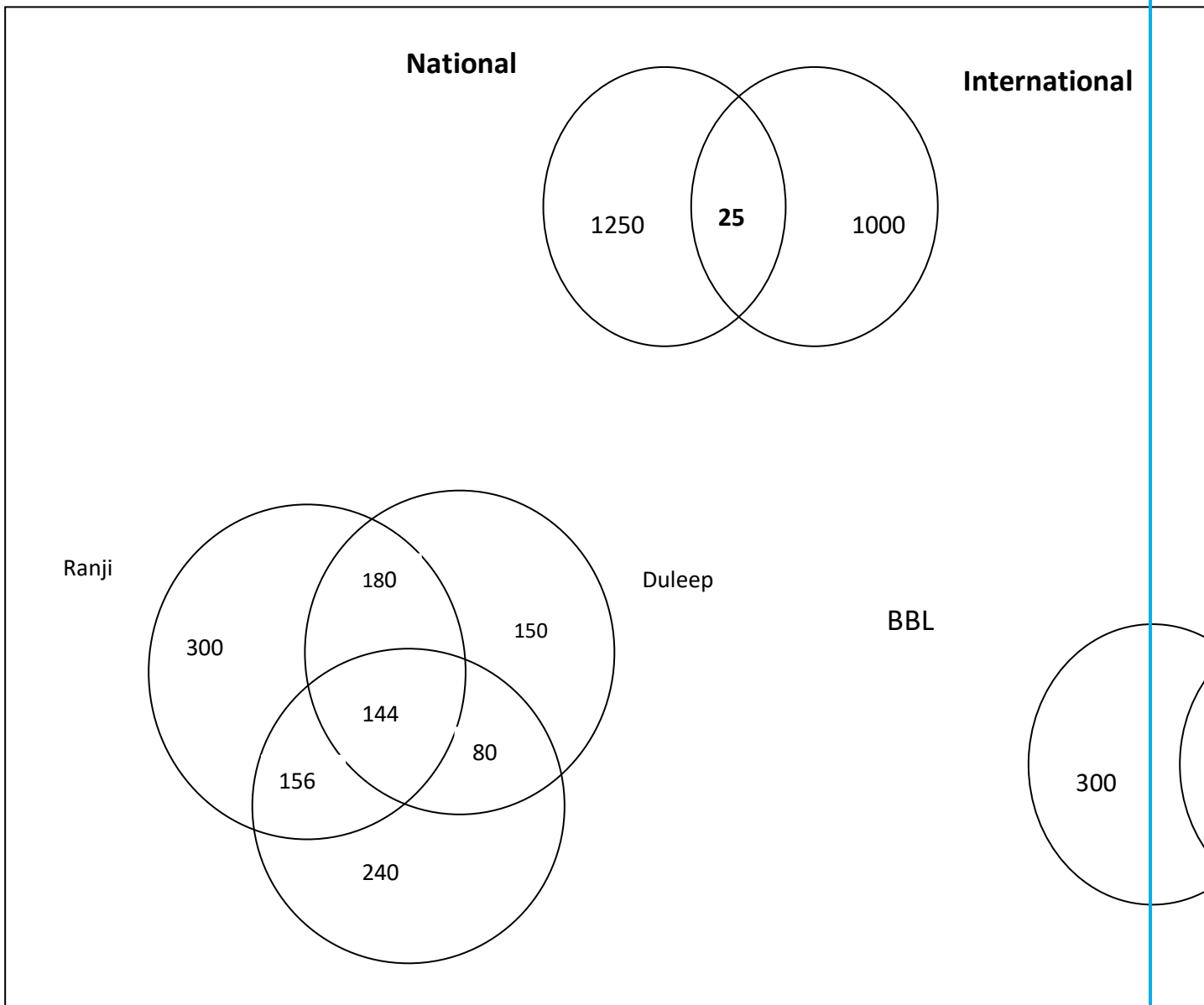
So, number of players who played only in BBL = $25y = 25 \times 12 = 300$

Number of players who played in both BBL and CPL = $1000 - 300 - 500 = 200$

Number of people who played in BBL = $300 + 200 = 500$

Number of players who played only in Duleep trophy = $630 - 180 - 300 = 150$

EduTap



Desired percentage = $300/1250 \times 100 = 24\%$

Q.178) Solution – 4

Detailed solution:

Let total number of players be $100x$

Number of players who had played at both levels = $0.10 \times 100x = 10x$

Number of players who played only at national level = $(90x + 250)/2 = 45x + 125$

Number of players who played only at international level = $45x - 125$

Number of players who played only in Ranji = $0.24 (45x + 125)$

So, $0.24(45x + 125) = 144/0.48 = 300$

So, $x = 25$

Total number of players = $100x = 100 \times 25 = 2500$

Number of players who had played at both levels = $10x = 10 \times 25 = 250$

Number of players who played only at national level = $45x + 125 = 45 \times 25 + 125 = 1250$

Number of players who played only at international level = $45x - 125 = 45 \times 25 - 125 = 1000$

Number of players who played only in Ranji = 300

Number of players who played only in CPL = $300 + 200 = 500$

So, $p + 10 = 500/2500 \times 100 = 20$

So, $p = 10$

Let number of players who played only in BBL = $25y$

So, number of players who played in both Ranji and Irani but not Duleep = $(10 + 3) \times y = 13y$

Number of players who played in Irani trophy = $1250 - 630 = 620$

Number of players who played only in Irani trophy = $(2p - 0.8) \% \text{ of } 1250 = 0.192 \times 1250 = 240$

Number of players who played in both Ranji and Duleep trophy = $(2p + 1.6) \% \text{ of } (1250 + 250) = 0.216 \times 1500 = 324$

Number of players who played in both Ranji and Duleep trophy but not Irani trophy = $324 - 144 = 180$

Number of players who played in both Irani and Duleep trophy but not Ranji trophy = $180/2.25 = 80$

So, $13y + 144 + 80 + 240 = 620$

Or, $13y = 156$

So, number of players who played in both Ranji and Irani but not Duleep = $13y = 156$ Also, $y = 156/13 = 12$

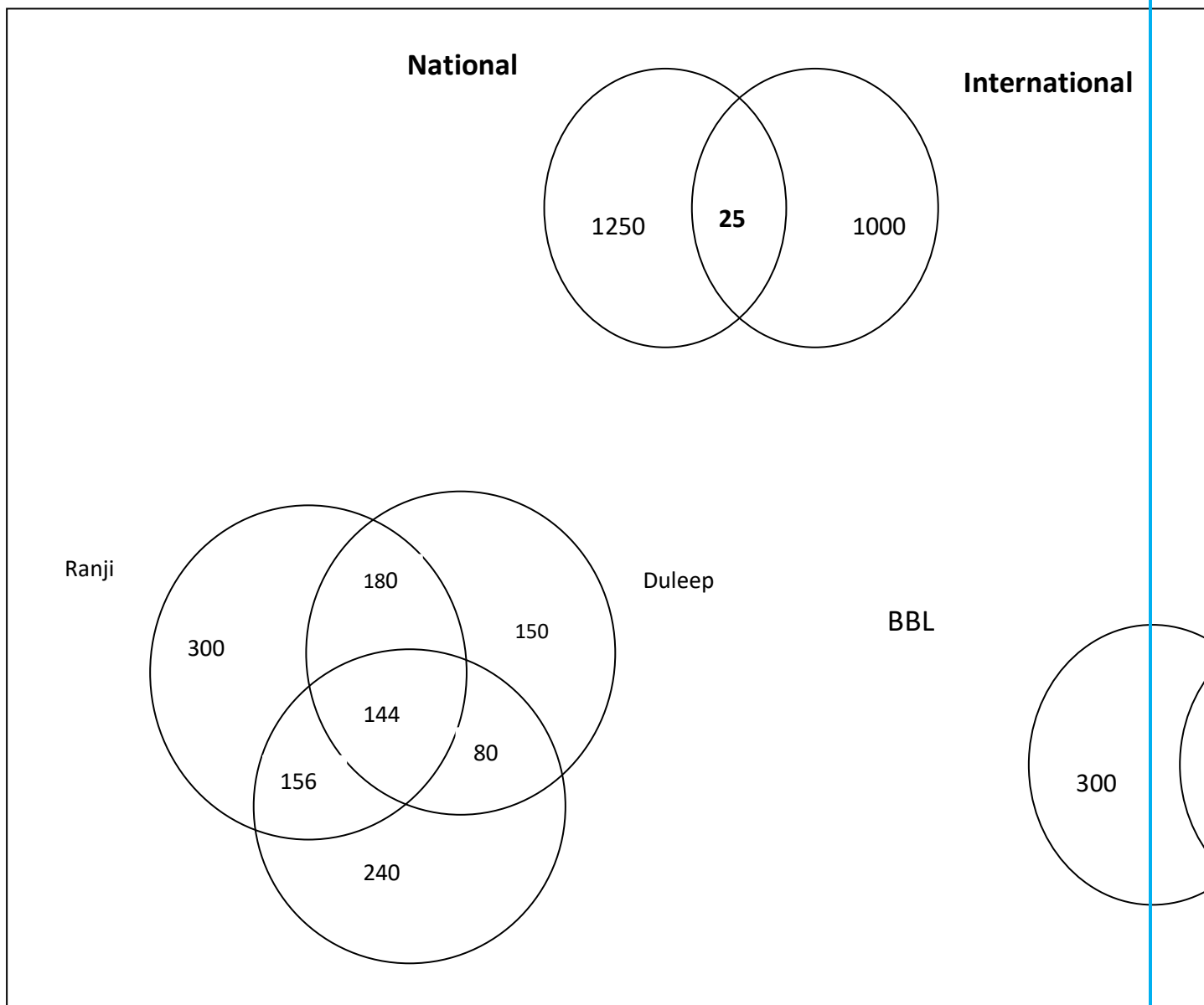
So, number of players who played only in BBL = $25y = 25 \times 12 = 300$

Number of players who played in both BBL and CPL = $1000 - 300 - 500 = 200$

Number of people who played in BBL = $300 + 200 = 500$

Number of players who played only in Duleep trophy = $630 - 180 - 300 = 150$

EduTap



Desired ratio = $156:80 = 39:20$

Q.179) Solution – 3

Detailed solution:

Let total number of players be $100x$

Number of players who had played at both levels = $0.10 \times 100x = 10x$

Number of players who played only at national level = $(90x + 250)/2 = 45x + 125$

Number of players who played only at international level = $45x - 125$

Number of players who played only in Ranji = $0.24 (45x + 125)$

So, $0.24(45x + 125) = 144/0.48 = 300$

So, $x = 25$

Total number of players = $100x = 100 \times 25 = 2500$

Number of players who had played at both levels = $10x = 10 \times 25 = 250$

Number of players who played only at national level = $45x + 125 = 45 \times 25 + 125 = 1250$

Number of players who played only at international level = $45x - 125 = 45 \times 25 - 125 = 1000$

Number of players who played only in Ranji = 300

Number of players who played only in CPL = $300 + 200 = 500$

So, $p + 10 = 500/2500 \times 100 = 20$

So, $p = 10$

Let number of players who played only in BBL = $25y$

So, number of players who played in both Ranji and Irani but not Duleep = $(10 + 3) \times y = 13y$

Number of players who played in Irani trophy = $1250 - 630 = 620$

Number of players who played only in Irani trophy = $(2p - 0.8)\%$ of $1250 = 0.192 \times 1250 = 240$

Number of players who played in both Ranji and Duleep trophy = $(2p + 1.6)\%$ of $(1250 + 250) = 0.216 \times 1500 = 324$

Number of players who played in both Ranji and Duleep trophy but not Irani trophy = $324 - 144 = 180$

Number of players who played in both Irani and Duleep trophy but not Ranji trophy = $180/2.25 = 80$

So, $13y + 144 + 80 + 240 = 620$

Or, $13y = 156$

So, number of players who played in both Ranji and Irani but not Duleep = $13y = 156$ Also, $y = 156/13 = 12$

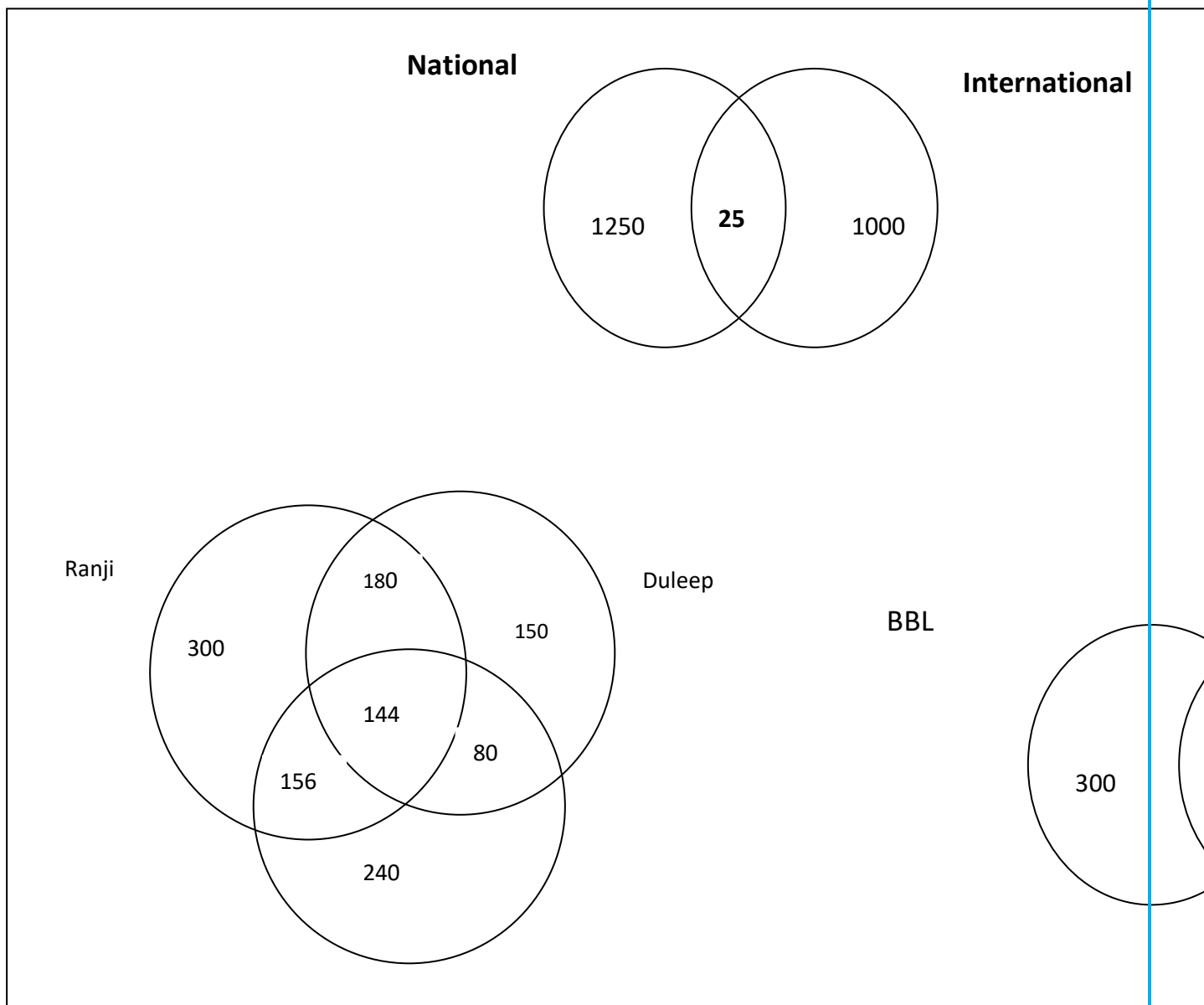
So, number of players who played only in BBL = $25y = 25 \times 12 = 300$

Number of players who played in both BBL and CPL = $1000 - 300 - 500 = 200$

Number of people who played in BBL = $300 + 200 = 500$

Number of players who played only in Duleep trophy = $630 - 180 - 300 = 150$

EduTap



The total number of players who played in CPL = $500 + 200 = 700$

Q.180) Solution – 3

Detailed solution:

Let total number of players be $100x$

Number of players who had played at both levels = $0.10 \times 100x = 10x$

Number of players who played only at national level = $(90x + 250)/2 = 45x + 125$

Number of players who played only at international level = $45x - 125$

Number of players who played only in Ranji = $0.24 (45x + 125)$

So, $0.24(45x + 125) = 144/0.48 = 300$

So, $x = 25$

Total number of players = $100x = 100 \times 25 = 2500$

Number of players who had played at both levels = $10x = 10 \times 25 = 250$

Number of players who played only at national level = $45x + 125 = 45 \times 25 + 125 = 1250$

Number of players who played only at international level = $45x - 125 = 45 \times 25 - 125 = 1000$

Number of players who played only in Ranji = 300

Number of players who played only in CPL = $300 + 200 = 500$

So, $p + 10 = 500/2500 \times 100 = 20$

So, $p = 10$

Let number of players who played only in BBL = $25y$

So, number of players who played in both Ranji and Irani but not Duleep = $(10 + 3) \times y = 13y$

Number of players who played in Irani trophy = $1250 - 630 = 620$

Number of players who played only in Irani trophy = $(2p - 0.8)\%$ of $1250 = 0.192 \times 1250 = 240$

Number of players who played in both Ranji and Duleep trophy = $(2p + 1.6)\%$ of $(1250 + 250) = 0.216 \times 1500 = 324$

Number of players who played in both Ranji and Duleep trophy but not Irani trophy = $324 - 144 = 180$

Number of players who played in both Irani and Duleep trophy but not Ranji trophy = $180/2.25 = 80$

So, $13y + 144 + 80 + 240 = 620$

Or, $13y = 156$

So, number of players who played in both Ranji and Irani but not Duleep = $13y = 156$ Also, $y = 156/13 = 12$

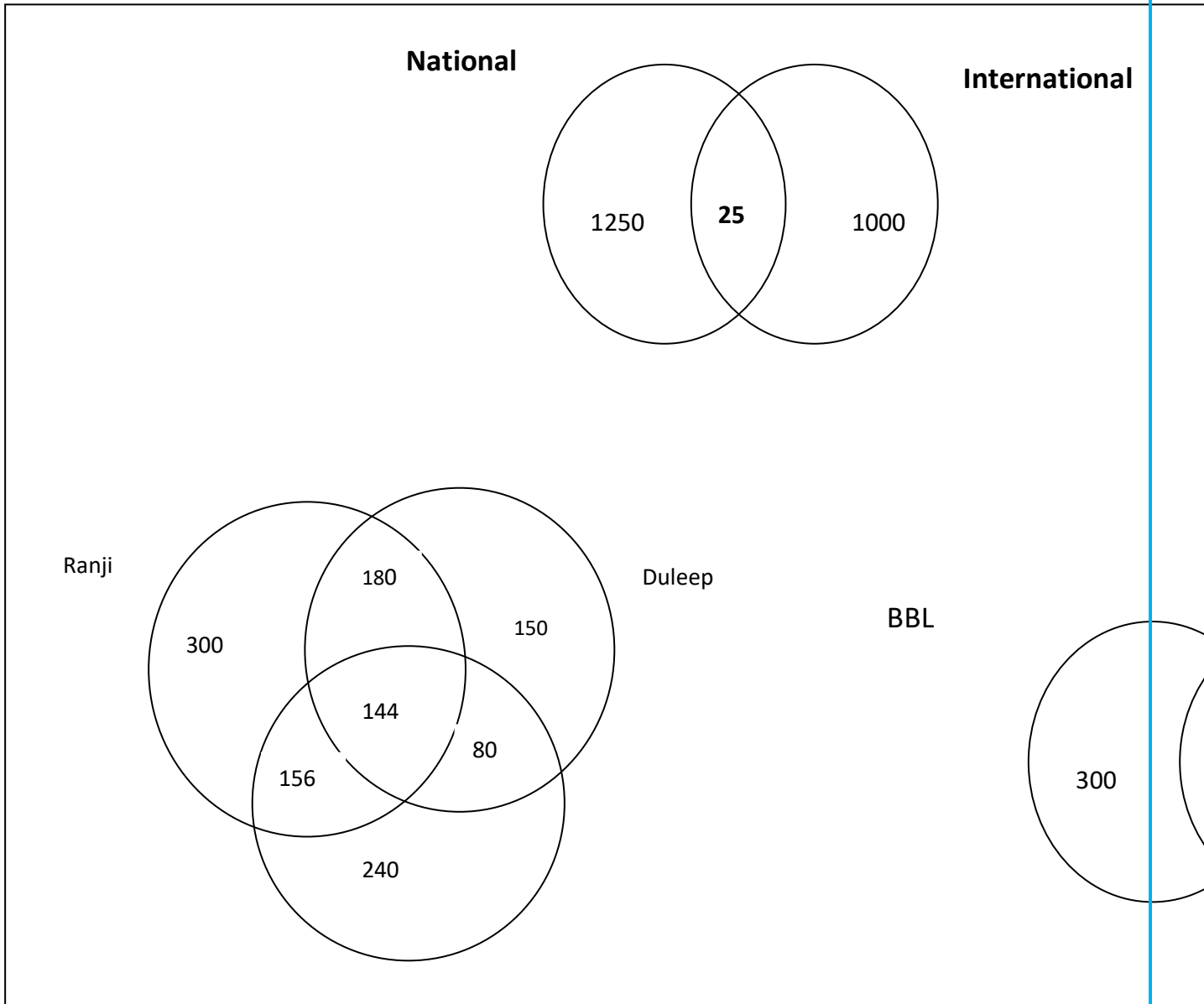
So, number of players who played only in BBL = $25y = 25 \times 12 = 300$

Number of players who played in both BBL and CPL = $1000 - 300 - 500 = 200$

Number of people who played in BBL = $300 + 200 = 500$

Number of players who played only in Duleep trophy = $630 - 180 - 300 = 150$

EduTap



Desired difference = $200 - 144 = 56 = 3p^2 - 25p + 6$

Q.181) Solution – 4

Detailed solution:

	2017		2018	
	Profit	Percentage profit	Profit	Percentage profit
Mckinsey	$5800 - 5300 = 500$	$(500/5300) * 100\% = 9(23/53)\%$	$6000 - 5000 = 1000$	$(1000/5000) * 100\% = 20\%$

BCG	6000-5400 = 600	$(600/5400)*100\%$ = 11(1/9)%	5600-4800 = 800	$(800/4800)*100\%$ = 16(2/3)%
Bain	5000-4800 = 200	$(200/4800)*100\%$ = 4(1/6)%	5400-4800 = 600	$(600/4800)*100\%$ = 12.5%
ATK	4800-4000 = 800	$(800/4000)*100\%$ = 20%	5000-4000 = 1000	$(1000/4000)*100\%$ = 25%

As we see from the table, the maximum percentage profit is earned by ATK in 2018, a percentage profit of 25%

Q.182) Solution – 3

Detailed solution:

	2017		2018	
	Profit	Percentage profit	Profit	Percentage profit
Mckinsey	5800-5300 = 500	$(500/5300)*100\%$ = 9(23/53)%	6000-5000 = 1000	$(1000/5000)*100\%$ = 20%
BCG	6000-5400 = 600	$(600/5400)*100\%$ = 11(1/9)%	5600-4800 = 800	$(800/4800)*100\%$ = 16(2/3)%
Bain	5000-4800 = 200	$(200/4800)*100\%$ = 4(1/6)%	5400-4800 = 600	$(600/4800)*100\%$ = 12.5%
ATK	4800-4000 = 800	$(800/4000)*100\%$ = 20%	5000-4000 = 1000	$(1000/4000)*100\%$ = 25%

As we see from the table, the profit of Bain becomes Rs 600 crore from Rs 200 crore, a percentage increase of 200%

Q.183) Solution – 3

Detailed solution:

	2017		2018	
	Profit	Percentage profit	Profit	Percentage profit

Mckinsey	5800-5300 = 500	$(500/5300)*100\%$ = 9(23/53)%	6000-5000 = 1000	$(1000/5000)*100\%$ = 20%
BCG	6000-5400 = 600	$(600/5400)*100\%$ = 11(1/9)%	5600-4800 = 800	$(800/4800)*100\%$ = 16(2/3)%
Bain	5000-4800 = 200	$(200/4800)*100\%$ = 4(1/6)%	5400-4800 = 600	$(600/4800)*100\%$ = 12.5%
ATK	4800-4000 = 800	$(800/4000)*100\%$ = 20%	5000-4000 = 1000	$(1000/4000)*100\%$ = 25%

Required sum = 20 + 12.5 = 32.5

Q.184) Solution – 1

Detailed solution:

	2017		2018	
	Profit	Percentage profit	Profit	Percentage profit
Mckinsey	5800-5300 = 500	$(500/5300)*100\%$ = 9(23/53)%	6000-5000 = 1000	$(1000/5000)*100\%$ = 20%
BCG	6000-5400 = 600	$(600/5400)*100\%$ = 11(1/9)%	5600-4800 = 800	$(800/4800)*100\%$ = 16(2/3)%
Bain	5000-4800 = 200	$(200/4800)*100\%$ = 4(1/6)%	5400-4800 = 600	$(600/4800)*100\%$ = 12.5%
ATK	4800-4000 = 800	$(800/4000)*100\%$ = 20%	5000-4000 = 1000	$(1000/4000)*100\%$ = 25%

Required ratio = 9(23/53) : 11(1/9) = 500/53 : 100/9 = 45:53

Q.185) Solution – 2

Detailed solution:

	2017		2018	
	Profit	Percentage profit	Profit	Percentage profit

Mckinsey	5800-5300 = 500	$(500/5300)*100\%$ = 9(23/53)%	6000-5000 = 1000	$(1000/5000)*100\%$ = 20%
BCG	6000-5400 = 600	$(600/5400)*100\%$ = 11(1/9)%	5600-4800 = 800	$(800/4800)*100\%$ = 16(2/3)%
Bain	5000-4800 = 200	$(200/4800)*100\%$ = 4(1/6)%	5400-4800 = 600	$(600/4800)*100\%$ = 12.5%
ATK	4800-4000 = 800	$(800/4000)*100\%$ = 20%	5000-4000 = 1000	$(1000/4000)*100\%$ = 25%

Profit in 2017 = 500 + 600 + 200 + 800 = Rs 2100 crore

Profit in 2018 = 1000 + 800 + 600 + 1000 = Rs 3400 crore

Required percentage = $((3400 - 2100)/2100)*100\% \approx 62\%$

Q.186) Solution – 3

Detailed solution:

ATQ;

$$24 + 16.5 + 18.5 + x + 5 + x - 4 = 100$$

$$\text{Or, } 2x = 40$$

$$\text{So, } x = 20$$

So, percentage of gold medals won by school 'D' out of total gold medals won by all 5 schools together = 25%

And, that by school 'E' = 20 - 4 = 16%

Similarly,

Percentage of number of bronze medals won as percentage of number of silver medals won by school 'C' = $3.5 \times 20 + 1 = 71\%$

Percentage of number of bronze medals won as percentage of number of silver medals won by school 'E' = $4 \times 20 = 80\%$

Let total number of gold medals won by all five schools together be '400y'.

So, number of gold medals won by school 'D' = $400y \times 0.25 = '100y'$

Number of silver medals won by school 'D' = $100y + 120$ (Case 'P') or $100y - 120$ (Case 'Q')

Number of gold medals won by school 'E' = $400y \times 0.16 = 64y$

For case 'P':

Number of bronze medals won by school 'D' = $(100y + 120) \times 0.75 = 75y + 90$

Case P (i):

Number of silver medals won by school 'E' = $64y + 144$

So, number of bronze medals won by school 'E' = $(64y + 144) \times 0.8 = 51.2y + 115.2$

ATQ;

$100y + 75y + 90 + 100y + 120 = 64y + 64y + 144 + 51.2y + 115.2 - 86$

Or, $95.8y = -36.8$ (Since 'y' is a positive integer, we may discard this case).

Case P (ii):

Number of silver medals won by school 'E' = $64y - 144$

So, number of bronze medals won by school 'E' = $(64y - 144) \times 0.8 = 51.2y - 115.2$

ATQ;

$100y + 75y + 90 + 100y + 120 = 64y + 64y - 144 + 51.2y - 115.2 - 86$

Or, $95.8y = -555.2$ (Since 'y' is a positive integer, we may discard this case)

Case Q:

Number of bronze medals won by school 'D' = $(100y - 120) \times 0.75 = 75y - 90$

Case Q (i):

Number of silver medals won by school 'E' = $64y + 144$

So, number of bronze medals won by school 'E' = $(64y + 144) \times 0.8 = 51.2y + 115.2$

ATQ;

$100y + 75y - 90 + 100y - 120 = 64y + 64y + 144 + 51.2y + 115.2 - 86$

Or, $95.8y = 383.2$

So, $y = 4$

Case Q (ii):

Number of silver medals won by school 'E' = $64y - 144$

So, number of bronze medals won by school 'E' = $(64y - 144) \times 0.8 = 51.2y - 115.2$

ATQ;

$100y + 75y - 90 + 100y - 120 = 64y + 64y - 144 + 51.2y - 115.2 - 86$

Or, $95.8y = 135.2$

So, $y \sim 1.41$ (Since 'y' is not an integer, we may discard this case)

So, $y = 4$

So, total number of gold medals won by all five schools together = $4 \times 400 = 1600$

For school 'A':

Total number of gold medals won by the school = $1600 \times 0.24 = 384$

Number of silver medals won by the school = $384 + 116 = 500$ or $384 - 116 = 268$

When number of silver medals won = 268, then number of bronze medals won = $268 \times 0.84 = 225.12$ (Since number of medals won must be an integer, this case can be discarded)

So, number of silver medals won by school 'A' = 500

And, number of bronze medals won by the school = $500 \times 0.84 = 420$

Similarly,

School	Number of gold medals won	Number of silver medals won	Number of bronze medal won	Total number of medals won
A	384	500	420	1304
B	264	450	351	1065
C	296	400	284	980
D	400	280	210	890
E	256	400	320	976
Total	1600	2030	1585	5215

Required sum = $420 + 284 = 704$

Q.187) Solution – 2

Detailed solution:

ATQ;

$$24 + 16.5 + 18.5 + x + 5 + x - 4 = 100$$

$$\text{Or, } 2x = 40$$

$$\text{So, } x = 20$$

So, percentage of gold medals won by school 'D' out of total gold medals won by all 5 schools together = 25%

And, that by school 'E' = $20 - 4 = 16\%$

Similarly,

Percentage of number of bronze medals won as percentage of number of silver medals won by school 'C' = $3.5 \times 20 + 1 = 71\%$

Percentage of number of bronze medals won as percentage of number of silver medals won by school 'E' = $4 \times 20 = 80\%$

Let total number of gold medals won by all five schools together be '400y'.

So, number of gold medals won by school 'D' = $400y \times 0.25 = '100y'$

Number of silver medals won by school 'D' = $100y + 120$ (Case 'P') or $100y - 120$ (Case 'Q')

Number of gold medals won by school 'E' = $400y \times 0.16 = 64y$

For case 'P':

Number of bronze medals won by school 'D' = $(100y + 120) \times 0.75 = 75y + 90$

Case P (i):

Number of silver medals won by school 'E' = $64y + 144$

So, number of bronze medals won by school 'E' = $(64y + 144) \times 0.8 = 51.2y + 115.2$

ATQ;

$100y + 75y + 90 + 100y + 120 = 64y + 64y + 144 + 51.2y + 115.2 - 86$

Or, $95.8y = -36.8$ (Since 'y' is a positive integer, we may discard this case).

Case P (ii):

Number of silver medals won by school 'E' = $64y - 144$

So, number of bronze medals won by school 'E' = $(64y - 144) \times 0.8 = 51.2y - 115.2$

ATQ;

$100y + 75y + 90 + 100y + 120 = 64y + 64y - 144 + 51.2y - 115.2 - 86$

Or, $95.8y = -555.2$ (Since 'y' is a positive integer, we may discard this case)

Case Q:

Number of bronze medals won by school 'D' = $(100y - 120) \times 0.75 = 75y - 90$

Case Q (i):

Number of silver medals won by school 'E' = $64y + 144$

So, number of bronze medals won by school 'E' = $(64y + 144) \times 0.8 = 51.2y + 115.2$

ATQ;

$100y + 75y - 90 + 100y - 120 = 64y + 64y + 144 + 51.2y + 115.2 - 86$

Or, $95.8y = 383.2$

So, $y = 4$

Case Q (ii):

Number of silver medals won by school 'E' = $64y - 144$

So, number of bronze medals won by school 'E' = $(64y - 144) \times 0.8 = 51.2y - 115.2$

ATQ;

$$100y + 75y - 90 + 100y - 120 = 64y + 64y - 144 + 51.2y - 115.2 - 86$$

$$\text{Or, } 95.8y = 135.2$$

So, $y \sim 1.41$ (Since 'y' is not an integer, we may discard this case)

$$\text{So, } y = 4$$

So, total number of gold medals won by all five schools together = $4 \times 400 = 1600$

For school 'A':

Total number of gold medals won by the school = $1600 \times 0.24 = 384$

Number of silver medals won by the school = $384 + 116 = 500$ or $384 - 116 = 268$

When number of silver medals won = 268, then number of bronze medals won = $268 \times 0.84 = 225.12$ (Since number of medals won must be an integer, this case can be discarded)

So, number of silver medals won by school 'A' = 500

And, number of bronze medals won by the school = $500 \times 0.84 = 420$

Similarly,

School	Number of gold medals won	Number of silver medals won	Number of bronze medal won	Total number of medals won
A	384	500	420	1304
B	264	450	351	1065
C	296	400	284	980
D	400	280	210	890
E	256	400	320	976
Total	1600	2030	1585	5215

Required ratio = $320:(264 + 296) = 320:560 = 4:7$

Q.188) Solution – 4

Detailed solution:

ATQ;

$$24 + 16.5 + 18.5 + x + 5 + x - 4 = 100$$

$$\text{Or, } 2x = 40$$

So, $x = 20$

So, percentage of gold medals won by school 'D' out of total gold medals won by all 5 schools together = 25%

And, that by school 'E' = $20 - 4 = 16\%$

Similarly,

Percentage of number of bronze medals won as percentage of number of silver medals won by school 'C' = $3.5 \times 20 + 1 = 71\%$

Percentage of number of bronze medals won as percentage of number of silver medals won by school 'E' = $4 \times 20 = 80\%$

Let total number of gold medals won by all five schools together be '400y'.

So, number of gold medals won by school 'D' = $400y \times 0.25 = '100y'$

Number of silver medals won by school 'D' = $100y + 120$ (Case 'P') or $100y - 120$ (Case 'Q')

Number of gold medals won by school 'E' = $400y \times 0.16 = 64y$

For case 'P':

Number of bronze medals won by school 'D' = $(100y + 120) \times 0.75 = 75y + 90$

Case P (i):

Number of silver medals won by school 'E' = $64y + 144$

So, number of bronze medals won by school 'E' = $(64y + 144) \times 0.8 = 51.2y + 115.2$

ATQ;

$100y + 75y + 90 + 100y + 120 = 64y + 64y + 144 + 51.2y + 115.2 - 86$

Or, $95.8y = -36.8$ (Since 'y' is a positive integer, we may discard this case).

Case P (ii):

Number of silver medals won by school 'E' = $64y - 144$

So, number of bronze medals won by school 'E' = $(64y - 144) \times 0.8 = 51.2y - 115.2$

ATQ;

$100y + 75y + 90 + 100y + 120 = 64y + 64y - 144 + 51.2y - 115.2 - 86$

Or, $95.8y = -555.2$ (Since 'y' is a positive integer, we may discard this case)

Case Q:

Number of bronze medals won by school 'D' = $(100y - 120) \times 0.75 = 75y - 90$

Case Q (i):

Number of silver medals won by school 'E' = $64y + 144$

So, number of bronze medals won by school 'E' = $(64y + 144) \times 0.8 = 51.2y + 115.2$

ATQ;

$$100y + 75y - 90 + 100y - 120 = 64y + 64y + 144 + 51.2y + 115.2 - 86$$

$$\text{Or, } 95.8y = 383.2$$

$$\text{So, } y = 4$$

Case Q (ii):

Number of silver medals won by school 'E' = $64y - 144$

So, number of bronze medals won by school 'E' = $(64y - 144) \times 0.8 = 51.2y - 115.2$

ATQ;

$$100y + 75y - 90 + 100y - 120 = 64y + 64y - 144 + 51.2y - 115.2 - 86$$

$$\text{Or, } 95.8y = 135.2$$

So, $y \sim 1.41$ (Since 'y' is not an integer, we may discard this case)

$$\text{So, } y = 4$$

So, total number of gold medals won by all five schools together = $4 \times 400 = 1600$

For school 'A':

Total number of gold medals won by the school = $1600 \times 0.24 = 384$

Number of silver medals won by the school = $384 + 116 = 500$ or $384 - 116 = 268$

When number of silver medals won = 268, then number of bronze medals won = $268 \times 0.84 = 225.12$ (Since number of medals won must be an integer, this case can be discarded)

So, number of silver medals won by school 'A' = 500

And, number of bronze medals won by the school = $500 \times 0.84 = 420$

Similarly,

School	Number of gold medals won	Number of silver medals won	Number of bronze medal won	Total number of medals won
A	384	500	420	1304
B	264	450	351	1065
C	296	400	284	980
D	400	280	210	890
E	256	400	320	976
Total	1600	2030	1585	5215

Required average = $\{(980 + 890)/2\} = 935$

Q.189) Solution – 5

Detailed solution:

ATQ;

$$24 + 16.5 + 18.5 + x + 5 + x - 4 = 100$$

$$\text{Or, } 2x = 40$$

$$\text{So, } x = 20$$

So, percentage of gold medals won by school 'D' out of total gold medals won by all 5 schools together = 25%

$$\text{And, that by school 'E' } = 20 - 4 = 16\%$$

Similarly,

Percentage of number of bronze medals won as percentage of number of silver medals won by school 'C' = $3.5 \times 20 + 1 = 71\%$

Percentage of number of bronze medals won as percentage of number of silver medals won by school 'E' = $4 \times 20 = 80\%$

Let total number of gold medals won by all five schools together be '400y'.

$$\text{So, number of gold medals won by school 'D' } = 400y \times 0.25 = '100y'$$

Number of silver medals won by school 'D' = $100y + 120$ (Case 'P') or $100y - 120$ (Case 'Q')

$$\text{Number of gold medals won by school 'E' } = 400y \times 0.16 = 64y$$

For case 'P':

$$\text{Number of bronze medals won by school 'D' } = (100y + 120) \times 0.75 = 75y + 90$$

Case P (i):

$$\text{Number of silver medals won by school 'E' } = 64y + 144$$

$$\text{So, number of bronze medals won by school 'E' } = (64y + 144) \times 0.8 = 51.2y + 115.2$$

ATQ;

$$100y + 75y + 90 + 100y + 120 = 64y + 64y + 144 + 51.2y + 115.2 - 86$$

$$\text{Or, } 95.8y = -36.8 \text{ (Since 'y' is a positive integer, we may discard this case).}$$

Case P (ii):

$$\text{Number of silver medals won by school 'E' } = 64y - 144$$

$$\text{So, number of bronze medals won by school 'E' } = (64y - 144) \times 0.8 = 51.2y - 115.2$$

ATQ;

$$100y + 75y + 90 + 100y + 120 = 64y + 64y - 144 + 51.2y - 115.2 - 86$$

Or, $95.8y = -555.2$ (Since 'y' is a positive integer, we may discard this case)

Case Q:

$$\text{Number of bronze medals won by school 'D'} = (100y - 120) \times 0.75 = 75y - 90$$

Case Q (i):

$$\text{Number of silver medals won by school 'E'} = 64y + 144$$

$$\text{So, number of bronze medals won by school 'E'} = (64y + 144) \times 0.8 = 51.2y + 115.2$$

ATQ;

$$100y + 75y - 90 + 100y - 120 = 64y + 64y + 144 + 51.2y + 115.2 - 86$$

$$\text{Or, } 95.8y = 383.2$$

$$\text{So, } y = 4$$

Case Q (ii):

$$\text{Number of silver medals won by school 'E'} = 64y - 144$$

$$\text{So, number of bronze medals won by school 'E'} = (64y - 144) \times 0.8 = 51.2y - 115.2$$

ATQ;

$$100y + 75y - 90 + 100y - 120 = 64y + 64y - 144 + 51.2y - 115.2 - 86$$

$$\text{Or, } 95.8y = 135.2$$

$$\text{So, } y \sim 1.41 \text{ (Since 'y' is not an integer, we may discard this case)}$$

$$\text{So, } y = 4$$

$$\text{So, total number of gold medals won by all five schools together} = 4 \times 400 = 1600$$

For school 'A':

$$\text{Total number of gold medals won by the school} = 1600 \times 0.24 = 384$$

$$\text{Number of silver medals won by the school} = 384 + 116 = 500 \text{ or } 384 - 116 = 268$$

When number of silver medals won = 268, then number of bronze medals won = $268 \times 0.84 = 225.12$ (Since number of medals won must be an integer, this case can be discarded)

$$\text{So, number of silver medals won by school 'A'} = 500$$

$$\text{And, number of bronze medals won by the school} = 500 \times 0.84 = 420$$

Similarly,

School	Number of gold medals won	Number of silver medals won	Number of bronze medal won	Total number of medals won

A	384	500	420	1304
B	264	450	351	1065
C	296	400	284	980
D	400	280	210	890
E	256	400	320	976
Total	1600	2030	1585	5215

Required difference = $500 - 280 = 220$

Q.190) Solution – 1

Detailed solution:

ATQ;

$$24 + 16.5 + 18.5 + x + 5 + x - 4 = 100$$

$$\text{Or, } 2x = 40$$

$$\text{So, } x = 20$$

So, percentage of gold medals won by school 'D' out of total gold medals won by all 5 schools together = 25%

$$\text{And, that by school 'E' } = 20 - 4 = 16\%$$

Similarly,

Percentage of number of bronze medals won as percentage of number of silver medals won by school 'C' = $3.5 \times 20 + 1 = 71\%$

Percentage of number of bronze medals won as percentage of number of silver medals won by school 'E' = $4 \times 20 = 80\%$

Let total number of gold medals won by all five schools together be '400y'.

$$\text{So, number of gold medals won by school 'D' } = 400y \times 0.25 = '100y'$$

$$\text{Number of silver medals won by school 'D' } = 100y + 120 \text{ (Case 'P')} \text{ or } 100y - 120 \text{ (Case 'Q')}$$

$$\text{Number of gold medals won by school 'E' } = 400y \times 0.16 = 64y$$

For case 'P':

$$\text{Number of bronze medals won by school 'D' } = (100y + 120) \times 0.75 = 75y + 90$$

Case P (i):

$$\text{Number of silver medals won by school 'E' } = 64y + 144$$

$$\text{So, number of bronze medals won by school 'E' } = (64y + 144) \times 0.8 = 51.2y + 115.2$$

ATQ;

$$100y + 75y + 90 + 100y + 120 = 64y + 64y + 144 + 51.2y + 115.2 - 86$$

Or, $95.8y = -36.8$ (Since 'y' is a positive integer, we may discard this case).

Case P (ii):

$$\text{Number of silver medals won by school 'E'} = 64y - 144$$

$$\text{So, number of bronze medals won by school 'E'} = (64y - 144) \times 0.8 = 51.2y - 115.2$$

ATQ;

$$100y + 75y + 90 + 100y + 120 = 64y + 64y - 144 + 51.2y - 115.2 - 86$$

Or, $95.8y = -555.2$ (Since 'y' is a positive integer, we may discard this case)

Case Q:

$$\text{Number of bronze medals won by school 'D'} = (100y - 120) \times 0.75 = 75y - 90$$

Case Q (i):

$$\text{Number of silver medals won by school 'E'} = 64y + 144$$

$$\text{So, number of bronze medals won by school 'E'} = (64y + 144) \times 0.8 = 51.2y + 115.2$$

ATQ;

$$100y + 75y - 90 + 100y - 120 = 64y + 64y + 144 + 51.2y + 115.2 - 86$$

$$\text{Or, } 95.8y = 383.2$$

$$\text{So, } y = 4$$

Case Q (ii):

$$\text{Number of silver medals won by school 'E'} = 64y - 144$$

$$\text{So, number of bronze medals won by school 'E'} = (64y - 144) \times 0.8 = 51.2y - 115.2$$

ATQ;

$$100y + 75y - 90 + 100y - 120 = 64y + 64y - 144 + 51.2y - 115.2 - 86$$

$$\text{Or, } 95.8y = 135.2$$

So, $y \sim 1.41$ (Since 'y' is not an integer, we may discard this case)

$$\text{So, } y = 4$$

$$\text{So, total number of gold medals won by all five schools together} = 4 \times 400 = 1600$$

For school 'A':

$$\text{Total number of gold medals won by the school} = 1600 \times 0.24 = 384$$

$$\text{Number of silver medals won by the school} = 384 + 116 = 500 \text{ or } 384 - 116 = 268$$

When number of silver medals won = 268, then number of bronze medals won = $268 \times 0.84 = 225.12$ (Since number of medals won must be an integer, this case can be discarded)

So, number of silver medals won by school 'A' = 500

And, number of bronze medals won by the school = $500 \times 0.84 = 420$

Similarly,

School	Number of gold medals won	Number of silver medals won	Number of bronze medal won	Total number of medals won
A	384	500	420	1304
B	264	450	351	1065
C	296	400	284	980
D	400	280	210	890
E	256	400	320	976
Total	1600	2030	1585	5215

ATQ;

$m = 450$

And, $n = 400$

so, required value = $(450 - 400) \times 3 = 150$

Q.191) Solution – 3

Detailed solution:

Statement-I:

Let the cost price of the article be Rs. 'x'.

Selling price of the article = Rs. $1.45x$

Marked price of the article = $1.1 \times 1.45x = \text{Rs. } 1.595x$

Now, $1.595x - 1.45x = 870$

$0.145x = 870$

$x = 6000$

So, the selling price of the article = $1.45 \times 6000 = \text{Rs. } 8700$

So, statement-I alone is sufficient to answer the question.

Statement-II:

Let the cost price of the article be Rs. 'x'.

$$1.5x - 1.45x = 300$$

$$0.05x = 300$$

$$x = 6000$$

So, the selling price of the article = $1.45 \times 6000 = \text{Rs. } 8700$

So, statement-II alone is sufficient to answer the question.

Q.192) Solution – 4

Detailed solution:

Let the present ages of mother and father be ' $9x$ ' years and ' $10x$ ' years, respectively.

Statement I:

Let the present age of child be ' y ' years.

According to the statement:

$$(10x + 10) \times 0.44 = y$$

$$\text{Or, } 4.4x + 4.4 = y$$

Since, there are two variables and only one equation, it is impossible to find the unique values.

So, data in statement I alone is not sufficient to answer the question.

Statement II:

According to the statement:

$$\text{Present age of child} = 10x \times 0.3 = '3x' \text{ years}$$

$$3x + 24 = 9x$$

$$\text{Or, } 6x = 24$$

$$\text{So, } x = 4$$

$$\text{So, present age of child} = 3x = 3 \times 4 = 12 \text{ years}$$

So, data in statement II alone is sufficient to answer the question.

Statement III:

$$\text{Present age of the child} = (10x - 28) \text{ years}$$

$$\text{Six years ago from now, age of the child} = (10x - 28 - 6) = (10x - 34) \text{ years}$$

According to the statement:

$$9x - 6 = 5(10x - 34)$$

$$\text{Or, } 9x - 6 = 50x - 170$$

$$41x = 164$$

So, $x = 4$

So, present age of child = $10x - 28 = 10 \times 4 - 28 = 12$ years

So, data in statement III alone is sufficient to answer the question.

Statement IV:

According to the statement:

$$10x - 9x = 4$$

Or, $x = 4$

So, present age of mother = $9 \times 4 = 36$ years

So, present age of child = $36 - 24 = 12$ years

So, data in statement IV alone is sufficient to answer the question.

Q.193) Solution – 5

Detailed solution:

14: 15: 20

Ratio of the time investment of Harry: Ron: Cedrick

$$= 14 \times 5 + \left(14 + \frac{15 \times 2}{5}\right) \times 7 : 15 \times 8 + \left(15 + \frac{20}{4}\right) \times 4 : 20 \times 8 + \left(20 + \frac{15 \times 2}{3}\right) \times 4$$
$$= 210 : 200 : 280$$

$$Reqd\% = \frac{(210-200)}{(280-200)} \times 100 = 12.5\%$$

Q.194) Solution – 1

Detailed solution:

Let the speed of boat 'A' in still water = ' x ' km/h

Then, speed of boat 'B' in still water = $(x + 8)$ km/h

Let the speed of the stream = ' y ' km/h

Upstream speed of boat 'A' = $(x - y)$ km/h

Downstream speed of boat 'A' = $(x + y)$ km/h

Upstream speed of boat 'B' = $(x + 8 - y)$ km/h

Downstream speed of boat 'B' = $(x + 8 + y)$ km/h

According to the statement,

$$(x + y) : (x + 8 - y) = 9 : 8$$

$$\text{Or, } 8x + 8y = 9x - 9y + 72$$

$$\text{Or, } 17y = x + 72 \text{ - [equation I]}$$

Also, according to the statement,

$$(x - y) : (x + 8 + y) = 6:11$$

$$\text{Or, } 11x - 11y = 6x + 48 + 6y$$

$$\text{Or, } 5x = 17y + 48$$

$$\text{Or, } 17y = 5x - 48 \text{ - [equation II]}$$

Equating equations (I) and (II)

$$\text{So, } x + 72 = 5x - 48$$

$$\text{Or, } 120 = 4x$$

$$\text{So, } x = (120/4) = 30$$

Therefore, speed of boat 'A' and boat 'B' in still water is 30 km/h and 38 km/h, respectively

$$\text{So, } y = (5 \times 30 - 48) \div 17 = 102 \div 17 = 6$$

So, upstream and downstream speed of boat 'A' is 24 km/h and 36 km/h respectively

Upstream and downstream speed of boat 'B' is 32 km/h and 44 km/h.

Quantity I:

$$\text{Distance travelled by boat 'A' in downstream in 125 minutes} = 36 \times (125/60) = 75 \text{ km}$$

$$\text{Distance travelled by boat 'B' in upstream in 75 minutes} = 32 \times (75/60) = 40 \text{ km}$$

$$\text{So, Quantity I} = 75 + 40 = 115 \text{ km}$$

Quantity II:

$$\text{Upstream speed of boat 'C'} = 50 - 6 = 44 \text{ km/h}$$

Distance travelled by boat 'A' and boat 'B' in upstream in 1 hour is 24 km and 32 km, respectively.

$$\text{Speed of boat 'C' in upstream} = 50 - 6 = 44 \text{ km/h}$$

$$\text{Distance travelled by boat 'C' in upstream in 1 hour} = 44 \text{ km}$$

$$\text{So, Quantity II} = 24 + 32 + 44 = 100 \text{ km}$$

Therefore, quantity I > quantity II

Q.195) Solution – 2

Detailed solution:

Quantity I:

Let the cost price of the article = Rs. '100x'

$$\text{Then, } P = 100x \times 1.36 - 140 = \text{Rs. } (136x - 140)$$

And, $Q = 100x \times 1.28 - 120 = \text{Rs. } (128x - 120)$

According to the question,

$$(136x - 140) : (128x - 120) = 19:18$$

$$\text{Or, } 2448x - 2520 = 2432x - 2280$$

$$\text{Or, } 16x = 240$$

$$\text{So, } x = (240/16) = 15$$

Therefore, cost price of the article = $15 \times 100 = \text{Rs. } 1,500$

So, quantity I = Rs. 1,500

Quantity II:

Compound interest received on investing Rs. 10,500

$$= 10500 \times \{1 + (y/100)\}^2 - 10500 = 2205$$

$$\text{Or, } 10500 \times \{1 + (y/100)\}^2 = 10500 + 2205 = 12705$$

$$\text{So, } \{1 + (y/100)\}^2 = 12705 \div 10500 = 1.21$$

$$\text{So, } \{(100 + y)/100\} = \sqrt{1.21} = 1.1$$

$$\text{So, } 100 + y = 110$$

$$\text{So, } y = 110 - 100 = 10$$

Therefore, $(y + 5) \% = 15\%$

Compound interest received on investing Rs. 4800 = $4800 \times \{1 + (15/100)\}^2 - 4800$

$$= 4800 \times 1.15^2 - 4800$$

$$= 6348 - 4800 = \text{Rs. } 1,548$$

So, Quantity II = Rs. 1,548

Therefore, quantity I < quantity II

Q.196) Solution – 1

Detailed solution:

$$x^3 - 9x^2 + 23x - 15 = 0$$

$$\text{Or, } x \times (x^2 - 9x + 23) = 15$$

$$\text{Or, } x \times (x^2 - 9x + 23) = 15 \times 1$$

$$\text{So, let } x = 1$$

$$\text{So, } 1 \times (1^2 - 9 \times 1 + 23) = 15$$

$$\text{Or, } 1 - 9 + 23 = 15$$

Or, $15 = 15$

Since, LHS = RHS, $x = 1$

So, we can divide the given equation by $(x - 1)$.

On dividing the given equation by $(x - 1)$, we have;

$$(x^3 - 9x^2 + 23x - 15) = (x - 1)(x^2 - 8x + 15)$$

$$\text{Or, } x^2 - 8x + 15 = 0$$

$$\text{Or, } x^2 - 5x - 3x + 15 = 0$$

$$\text{Or, } x(x - 5) - 3(x - 5) = 0$$

$$\text{Or, } (x - 5)(x - 3) = 0$$

$$\text{So, } x = 5 \text{ or } x = 3$$

Since, $p > q > r$ So, $p = 5$, $q = 3$ and $r = 1$

Quantity I:

$$\text{Required value} = 8 \times 5 = 40$$

$$\text{So, Quantity I} = 40$$

Quantity II:

$$\text{Required value} = 3 + 40 = 43$$

$$\text{So, Quantity II} = 43$$

Quantity III:

$$\text{Required value} = 1 \times 20 = 20$$

$$\text{So, Quantity III} = 20$$

So, Quantity I < Quantity II > Quantity III

Q.197) Solution – 5

Detailed solution:

Let, amount deposited by Rajiv in scheme A and Arjun in scheme B be Rs. x and Rs. y , respectively.

$$\text{Interest earned by Arjun from scheme A} = 8400 \times \{(1.2)^2 - 1\} = \text{Rs. } 3696$$

$$\text{Interest earned by Rajiv from scheme A} = x \times \{(1.)^2 - 1\} = \text{Rs. } 0.21x$$

$$\text{Interest earned by Arjun from scheme B} = y \times 0.15 \times 2 = \text{Rs. } 0.3y$$

$$\text{Interest earned by Rajiv from scheme B} = 3700 \times 0.24 \times 2 = \text{Rs. } 1776$$

$$\text{So, sum of interest earned by both of them} = 3696 + 0.21x + 0.3y + 1776 = \text{Rs. '5472 + 0.21x + 0.3y'}$$

From option I:

Sum of interest = $'5472 + 0.21x + 0.3y'$ = $5472 + 0.21 \times 7200 + 0.3 \times 4120 = 5472 + 1512 + 1236 =$
Rs. 8220

So, option I can be the answer.

From option II:

Sum of interest = $'5472 + 0.21x + 0.3y'$ = $5472 + 0.21 \times 9600 + 0.3 \times 3640 = 5472 + 2016 + 1092 =$
Rs. 8580

So, option II cannot be the answer.

From option III:

Sum of interest = $'5472 + 0.21x + 0.3y'$ = $5472 + 0.21 \times 8000 + 0.3 \times 5400 = 5472 + 1680 + 1620 =$
Rs. 8772

So, option III can be the answer.

Q.198) Solution – 3

Detailed solution:

Let the speed of the rescue boat = $'10x'$ km/h

Then, speed of the stream = $10x \times 0.6 = '6x'$ km/h

So, downstream speed of the boat = $10x + 6x = '16x'$ km/h

So, time taken by the boat to reach the point where the man fell = $(64/16x) = (4/x)$ hours

So, distance travelled by the man who fell in $(4/x)$ hours = $(4/x) \times 6x = 24$ km

Now, distance between the boat and the man = 24 km

Relative speed of the boat w.r.t the man = $16x + (5 - 6x) = (10x + 5)$ km/h

According to the question,

$$\{24/(10x + 5)\} = (48/60) = 0.8$$

$$\text{Or, } 24 = 8x + 4$$

$$\text{So, } x = (20/8) = 2.5$$

So, downstream speed of the boat = $16 \times 2.5 = 40$ km/h

So, total distance covered by the boat = $64 + 0.8 \times 40 = 64 + 32 = 96$ km

Q.199) Solution – 3

Detailed solution:

For paper A:

Area = Area of square - 4*Area of quadrant.

$$\text{Radius} = 14/2 = 7\text{mm}$$

Required area = $(130 \times 130) - \text{area of circle of radius } 7\text{mm}$

Required area = $16900 - \frac{22}{7} \times 7 \times 7$

Area = 16746 m^2

For paper B:

Length of paper = 150mm

Breadth of paper = $150/1.2 = 125\text{mm}$

Radius of semi circle = $125/2 = 62.5\text{mm}$

Remaining area = $150 \times 125 - \frac{62.5 \times 62.5 \times 22}{7}$

= $18750 - 12276.8$

= 6473.2

Required percentage = $\frac{(16746 - 6473.2) \times 100}{16746}$

= 61.3% less

Q.200) Solution – 2

Detailed solution:

All divisors of 12 are 1, 2, 3, 4, 6, and 12 itself.

Now, if N is divisible by 12, then it is automatically divisible by all other divisors. So, it cannot be divisible by at most two divisors.

So, N is not divisible by 12.

Similarly, N cannot be divisible by 6 or 4.

In other perspective, N can ONLY be divisible by the prime factors of 12.

So, N can be divisible by 2 or 3 but not by both.

N can be 1 also.

So, possible values of N can be 1, 2a, and 3b where a and b are natural numbers.

So, the HCF of 1, 2a, and 3b is 1.

Hence, option 2 is correct.

EduTap